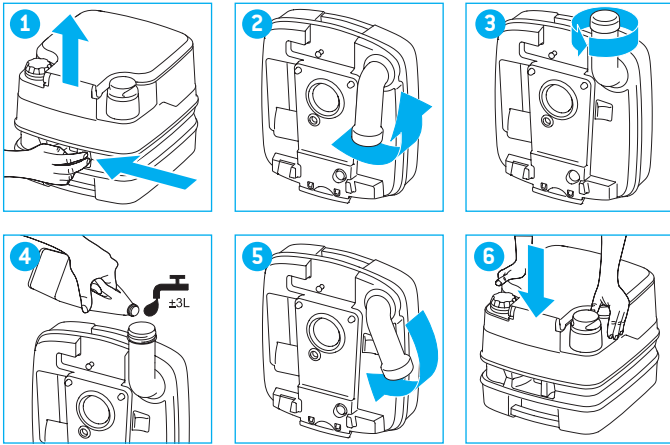


Porta Potti Qube Campa Potti Qube User Manual

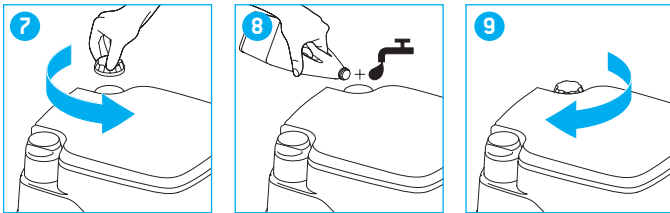


QUICK GUIDE

Preparing waste-holding tank

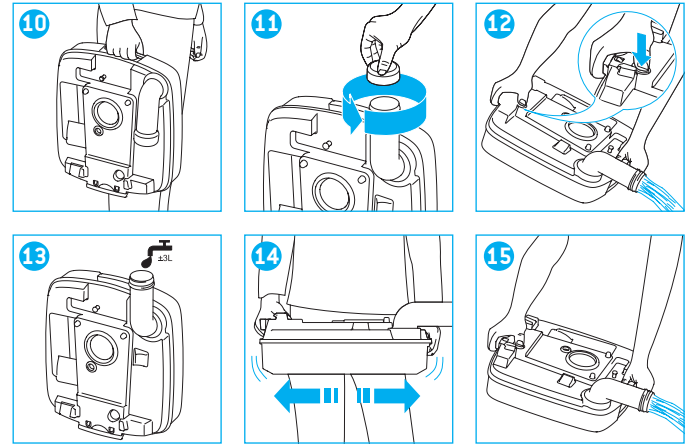


Preparing flush-water tank

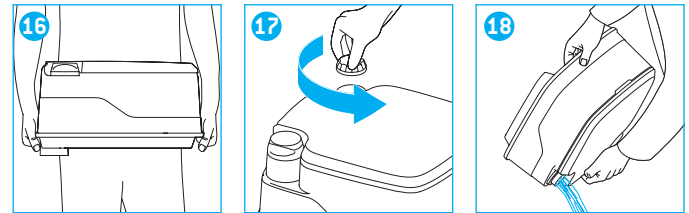


QUICK GUIDE

Emptying waste-holding tank



Emptying flush-water tank



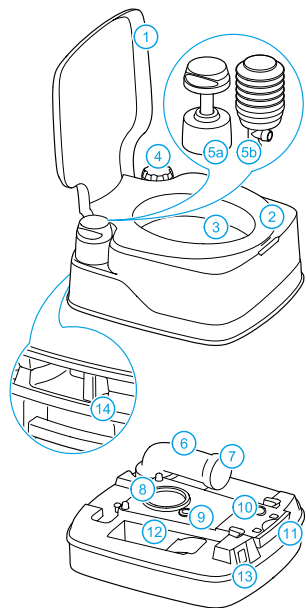


INDEX

GB	6
FR	10
SE	14
ES	18
DK	22
DE	26
NL	30
IT	34
PT	38
NO	42
FI	46
SI	50
SK	54
BG	58
CZ	62
GR	66
HU	70
PL	74
RU	78
UA	82
LV	86
LT	90
CN	94
EE	98
RO	102
JP	106
For guarantee/service	110

GB • INSTRUCTIONS FOR USE

Main parts



1 Cover • **2** Seat • **3** Toilet bowl • **4** Water filler cap • **5a** Piston pump • **5b** Bellows pump • **6** Pour out spout • **7** Cap pour out spout • **8** Lip seal • **9** Vent seal • **10** Vent button • **11** Valve handle • **12** Storage for toilet fluids • **13** Level indicator waste-holding tank (dependent on model) • **14** Clasp

1 Introduction

Congratulations on selecting this Thetford portable toilet! You have made an excellent choice. This portable toilet is user-friendly, meets high quality standards and gives you all the convenience of home.

Before operating and using this toilet we advise you to read the manual completely. Keep this manual in a safe place for future reference.

For the latest version of the manual please visit www.thetford-europe.com

Symbols used

- OK
- Tip
- Special attention required
- Caution (possible risk of injury or product damage)

2 Preparing for use

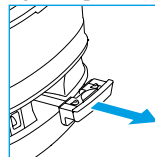
Your portable toilet is made up of two detachable sections, the waste-holding tank and the flush-water tank. Before using this toilet, it is vital that you add special additives for portable toilets to both tanks (see last page). Check the correct dosage on the additive package and look on the packaging of the toilet for the capacity of the tanks. Then add 3L of water to the waste-holding tank and fill the flush-water tank to the top.

See 'Quick Guide' pictures 1-9 for visual reference.

Never add toilet additives directly via the blade as this could damage the lip seal of the waste-holding tank. Only fill the waste-holding tank via the pour out spout.

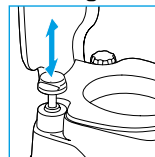
3 Use of your toilet

Opening the blade



The toilet may be used with the blade open or closed. To open the blade, pull the valve handle as described. Always close the blade after use.

Flushing the toilet



You can achieve the most effective flush by operating the pump with three or four short flushes.

Do not use ordinary toilet paper (see last page), as this may cause clogging.

4 Emptying the tank

Waste-holding tank

When the waste-holding tank is full, disconnect the flush-water tank from the waste-holding tank. Take your waste-holding tank to an authorized waste disposal point and empty it via the pour out spout.

See 'Quick Guide' pictures 10-15 for visual reference.

To empty the tank without splashing, press and hold the vent button with your thumb while the pour out spout is pointing downwards.

If you want to continue using your toilet after emptying, prepare the waste-holding tank again.

Flush-water tank

Only empty the flush-water tank if you don't expect to use your toilet for a long (winter) period. First empty the tank through the water fill opening, then, to empty the tank completely, pump the last drops of water out of the pump. Emptying is only allowed at an authorized waste disposal point.

See 'Quick Guide' pictures 16-18 for visual reference.

To prevent water damage to your caravan or motor home, ensure that you don't travel with a full flush-water tank or with water in the bowl.

5 Cleaning

Just like your toilet at home, it is important to clean the portable toilet regularly. You will prevent calcium deposits and ensure optimal hygiene. Clean the inside of the bowl and the outside of the toilet with special cleaning products for portable toilets (see last page).

Never use household cleaners to clean your portable toilet. These may cause permanent damage to the seals and other toilet components.

6 Winter use

You can use your toilet as normal in cold weather as long as the toilet is situated in a heated location. If not, and there may be a risk of frost, we advise you not to use your toilet and to completely empty the waste-holding tank as well as the flush-water tank.

7 Maintenance

To prolong the life span of your toilet, we advise you to maintain your toilet regularly. Clean your waste-holding tank two to three times a year and treat the seals with special lubricant when the seals become dry (see last page).



Never use Vaseline or vegetable oil to lubricate the seals as these may cause leakage to the waste-holding tank.

8 Storage

If you don't expect to use your toilet for a long (winter) period, you have to thoroughly empty, clean and dry the whole toilet. This is also a good time to maintain on your toilet.

During storage we advise leaving the blade open to prevent damage to the blade and to loosen the water filler cap to ventilate the flush-water tank.

9 Disposal

Your product has been designed and manufactured with high quality materials and components, which can be recycled and reused. When your toilet has reached its end of life, dispose the product according the local rules. Do not dispose the toilet with the normal household waste.

The correct disposal of your old product will help prevent potential negative consequences for the environment and human health.

10 Questions?

If you require further information about your toilet, please visit our website: www.thetford-europe.com. If you still have questions, please contact the Customer Service Department either in your country or your holiday location (see the addresses on the back).

For correct and efficient support, please ensure all relevant product type information is available (see page 110).

Spare parts

Original Thetford spare parts are available through your own dealer or authorised Thetford Service Centre.

FAQ

What do I need to do when the level indicator of the waste-holding tank doesn't work? Check whether the float in the waste-holding tank is still in place or whether dirt is obstructing its function.

What do I need to do if the blade doesn't open? Travelling may cause overpressure in the tank. Unscrew the cap of the pour out spout and slowly pull the blade handle sideways.

11 Warranty

Thetford BV offers end users of its portable toilets a three-year guarantee. The guarantee period of three-year starts as from the date of purchase. In the case of malfunction within the warranty period, Thetford will offer a replacement or repair the product at its discretion.

Our goods come with guarantees that cannot be excluded under the Australian Consumer Law. You are entitled to a replacement or refund for a major failure and for compensation for any other reasonably foreseeable loss or damage. You are also entitled to have the goods repaired or replaced if the goods fail to be of acceptable quality and the failure does not amount to a major failure.

1. To make a claim under this warranty, the user must take the product to the point of sale or an authorised Thetford Service Centre (www.thetford-europe.com) at their cost. The claim will be assessed there.
2. Components replaced during repair under guarantee become the property of Thetford.
3. This warranty does not prejudice and is in addition to current consumer protection laws.
4. Guarantee claims falling into one of the following categories will not be accepted:
 - the product has been improperly used, or the instructions in the manual have not been followed (for example incorrect use of additives);
 - alterations have been made to the product;
 - the product code or serial ID has been changed;
 - the product has been damaged by circumstances outside the normal use of the product.

5. Not using Thetford products to care for your Thetford toilet could create some damage, which would not be covered by this warranty.

Thetford is not liable under this warranty for any loss and/or damage, caused directly or indirectly by use of the toilet.

Thetford is not responsible for printing errors and reserves the right to make changes to product specifications without notice.