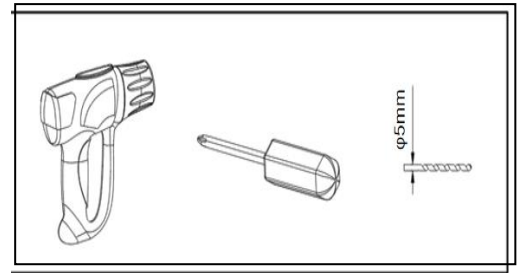
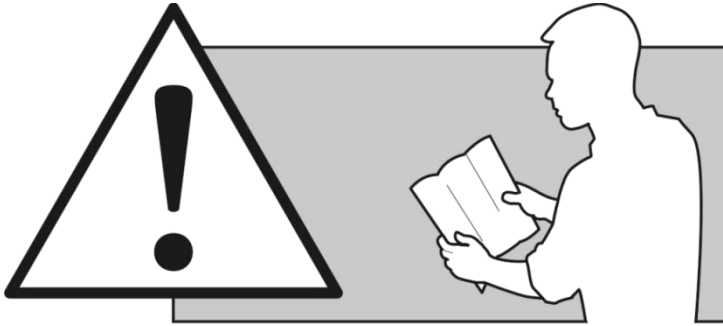


Installation Guide

Adventurer AD400400V

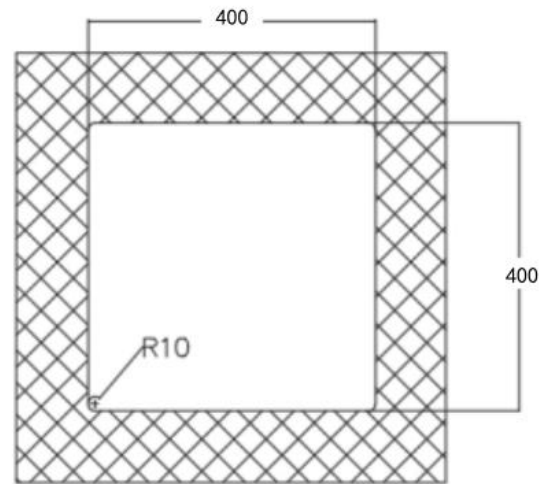
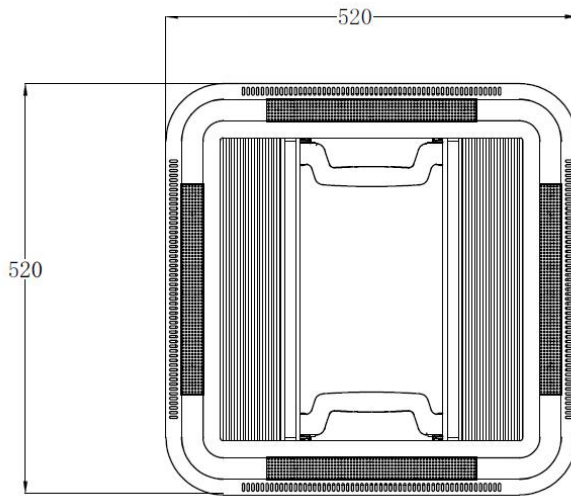




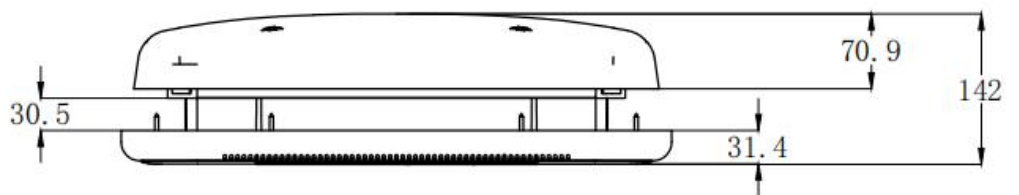
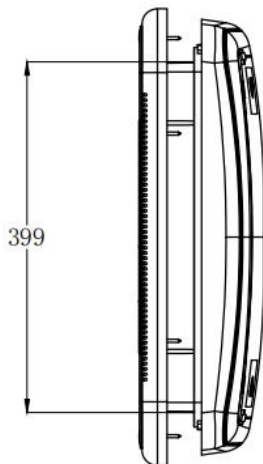
※. Packaged

Product	Pressure	4* 40 Screw	4* 20 Screw	Instructions
				
1	8	8	8	1

※ Product dimensions

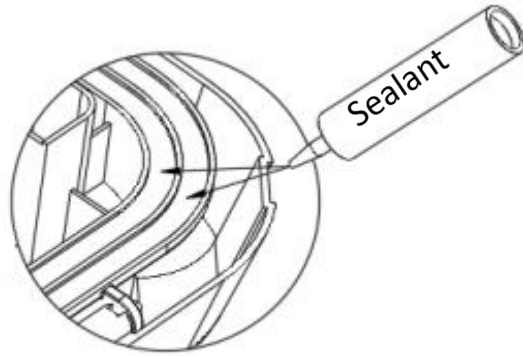
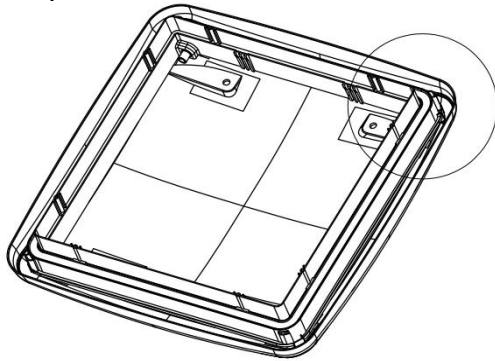


Cut-out size

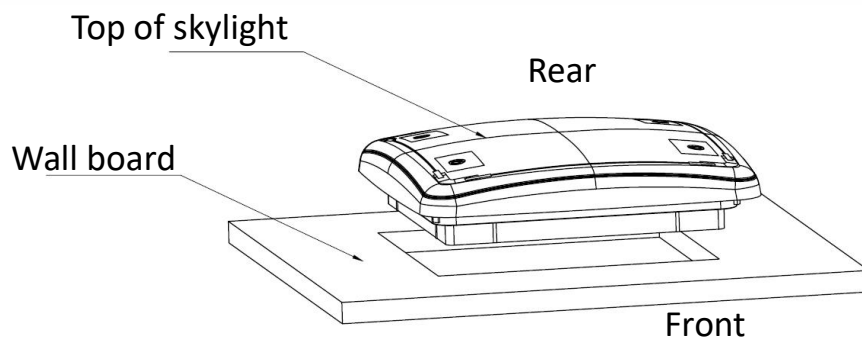


※ Installation Steps

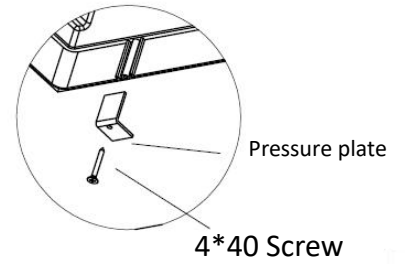
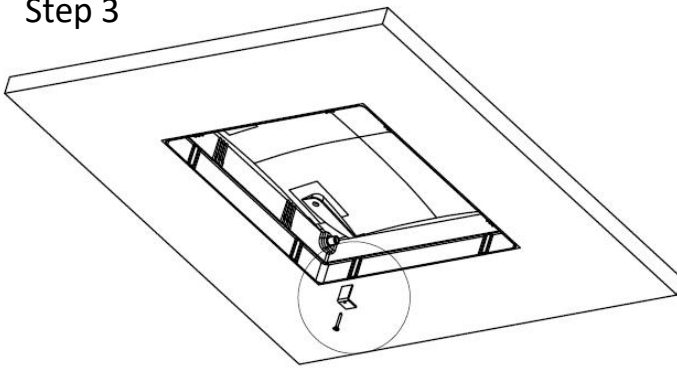
Step 1



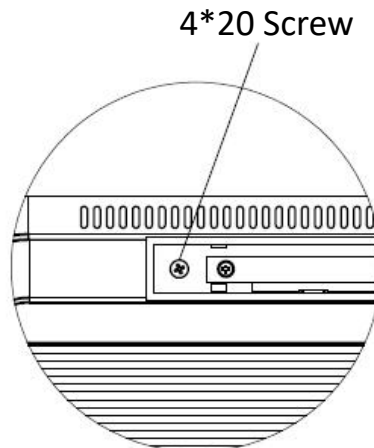
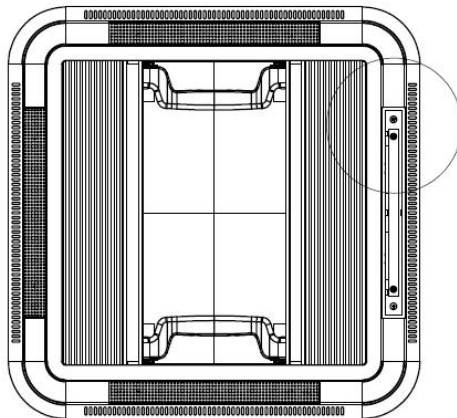
Step 2



Step 3

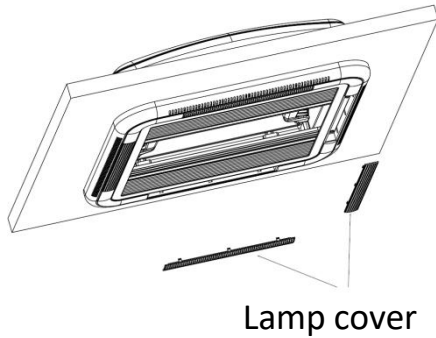


Step 4

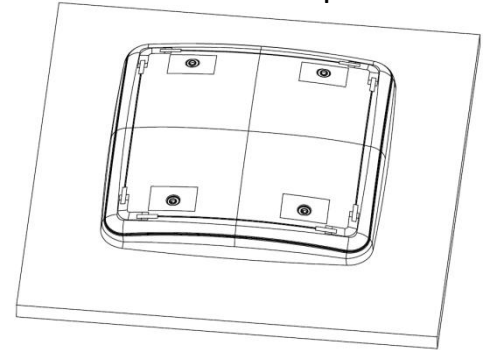


Curtain

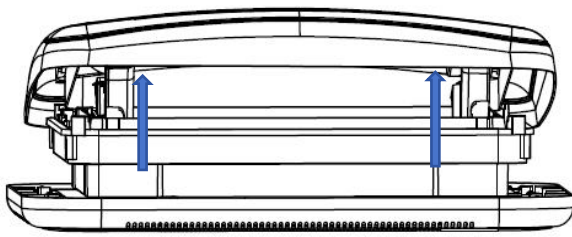
Step 5



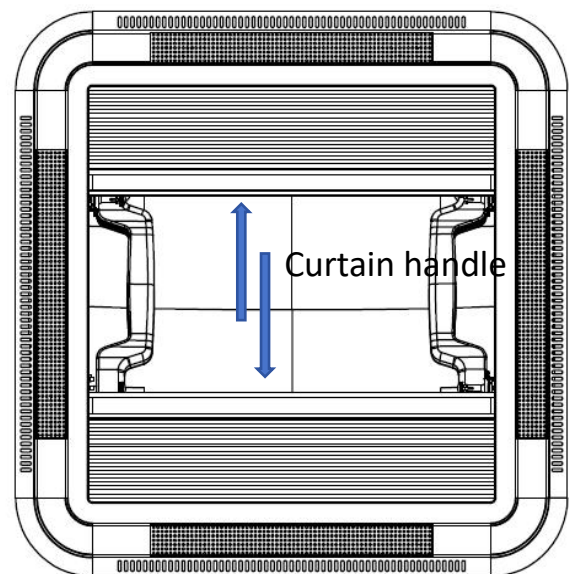
Installation completed



※ Illustration for use



Handle



※ Instructions for use

1. To open the skylight cover, operate the left and right switch handles at the same time with both hands, and gently exert force inwards to disengage the handles from the snap-in position of the outer frame. And gently lift the skylight cover upward. (Note: The support spring of the handle provides assistance. Keep both hands on the handle while opening to prevent it from suddenly springing open and damaging the product.)
2. The curtain assembly is composed of a sunshade curtain and an anti-mosquito net. Handles at the ends of the curtains contain magnetic strips. So the user can pull the handle lightly to open the curtain.
3. To close the skylight cover, separate the sunshade curtain and the mosquito net, and pull the handle on the latch.

※ Maintenance precautions

1. Do not use alcohol-based cleaners as it will damage the acrylic parts.
2. Do not leave the skylight frame in a highly corrosive environment in case of damage.
3. Keep the skylight closed when the vehicle is moving, in case of damage to the skylight cover.