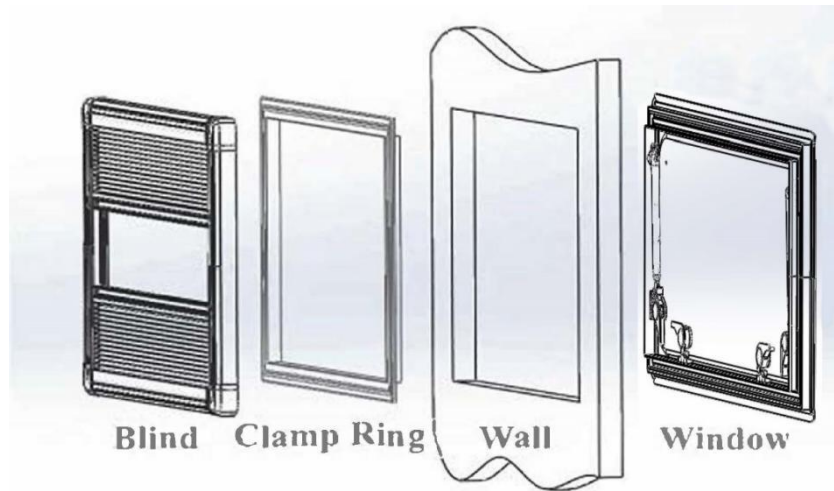


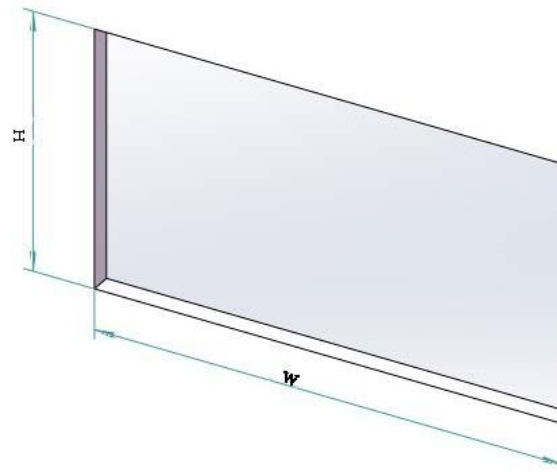
# Installation Manual of Caravan Window with PVC Pleated Blind

## 1. Introduction



## 2. Installation

2.1 Step 1: Check whether the window size match the vehicle installation hole. And check whether the installation hole is standard.



2.2 Step 2: Please apply polyurethane sealant on the outside of the rubber strips and evenly to the border of the frame. The purpose of the strips is only to reduce the amount of glue applied and they cannot replace sealants.



2.3 Step 3: Push the window into the installation hole from outside. Remove the protective film on the frame and press the window tightly. Align the mounting frame with the window from inside of vehicle and tighten them by screws while the personnel on the outside press the window.



2.4 Step 4: Remove the PVC strip before installation.



2.5 Step 5: The blind is aligned with the window, ST4\*25 cross countersunk head self-tapping screw to tighten along pre-drilled hole.



2.6 Step 6: Install all PVC strips.



### 3. Adjustable of the tightness of blind

If the screen is not tight enough, it can be adjusted after installation. Please use a screwdriver to adjust the tightness comfort of screen and blind handle through the four corners of the screen window shaft.



### 4. Matters needing attention

4.1 Adaptive temperature:

Acrylic glass: less than 65°C

Plastic parts: -30°C-70°C

4.2 Cleaning:

Please avoid using in the environment containing acid, alkali and alcohol. The dirt on the glass surface shall not be scrubbed with methanol, ethanol, diluent and other solvents to prevent contact with toluene, trichloroethylene, ethane and other substances. Do not use a coarse cloth to wipe. After a long time of wiping, there will be scratches and fog. Use cotton or velvet cloth to dip some toothpaste, Polish patiently, and then rinse with water. If the surface is only dirty, you have to wash it with water before wiping.

4.3 Driving:

Window can't be opened during driving.