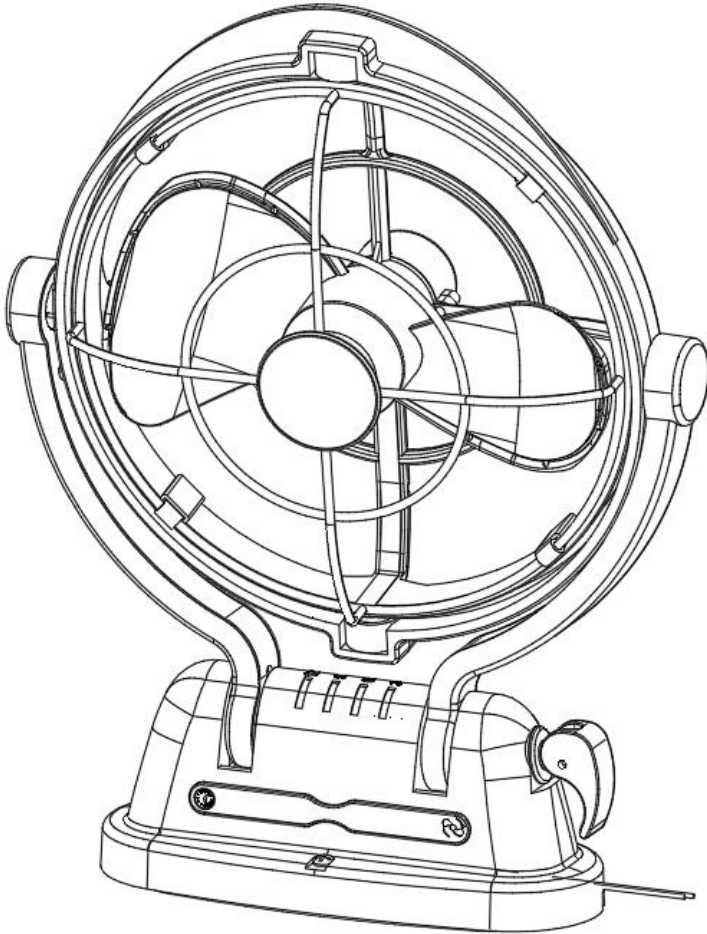


Adventurer Electric Fan

OPERATING INSTRUCTIONS



Technical parameters:

Fan Speed	Current Draw Amps		RPM	Maximum air volume
	12 Volt	24 Volt	12&24 Volt	CFM
Low	0.14A	0.11A	1100±100	370
Medium	0.26A	0.18A	1400±100	536
High	0.42A	0.25A	1700±100	725

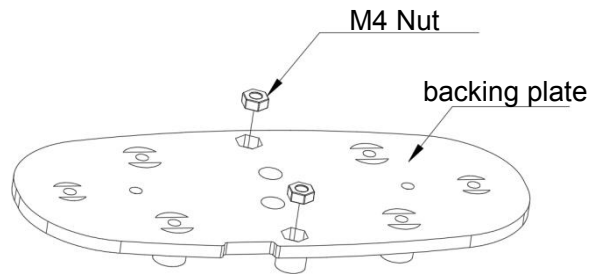
※、The installation accessories

No.	Name	specifications	number
1	Phillips screwdriver	/	1
2	Hexagonal wrench	/	1
3	Screw	4*25	2
4	Screw	4*16	2
5	Nut	M4	4
6	Washer	φ4.2	2
7	Power line	900mm	1

※、Installation instructions

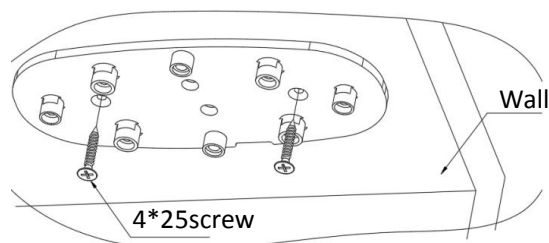
Step 1

Place nuts in hex holes on back of backing plate before mounting.



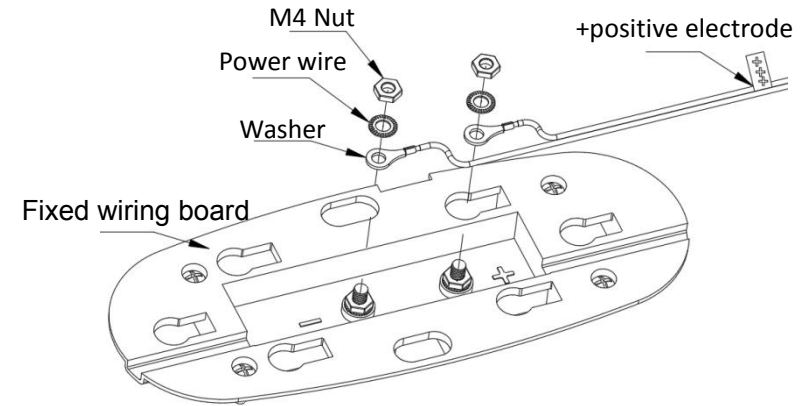
Step 2

Secure backing plate to wall using two PA-4*25 fasteners.



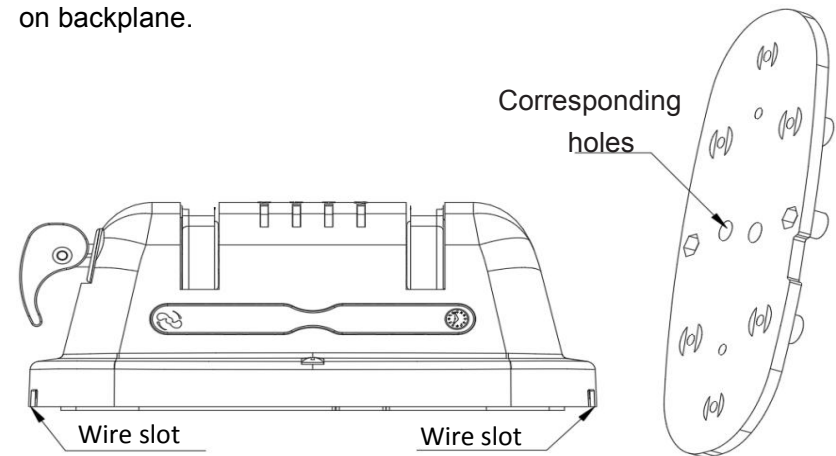
Step 3

Fix the wires in the order shown below. Place the ferrite in the space next to the base screw.

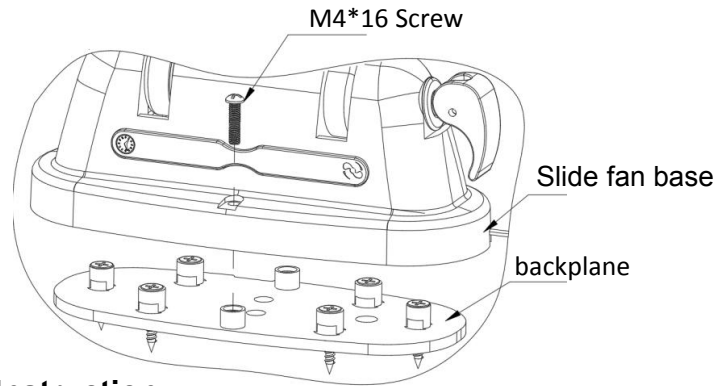


Step 4

According to how you are installing your fan, thread wires through slots on either end of base or through corresponding holes on backplane.



Slide the fan base onto firmly secured backplane. Secure the fan to backplane with the two screws provided.

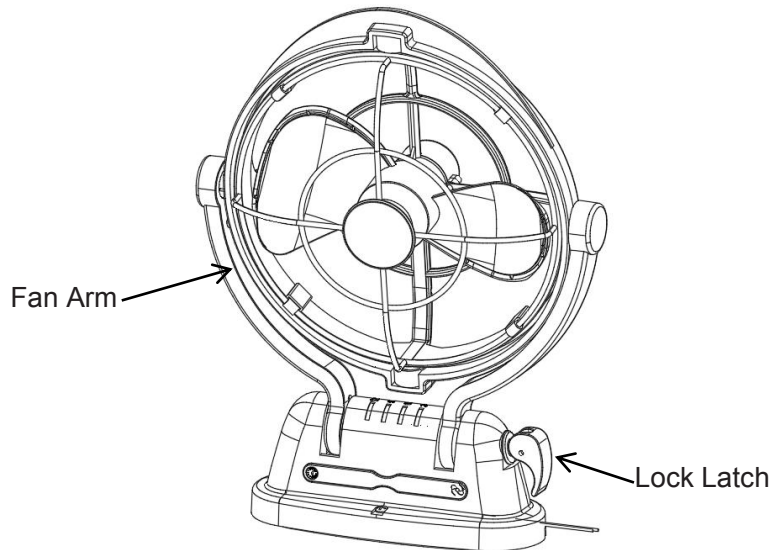


Instruction:

The fan blades must be free of any obstacles that may cause blockage of the blades. Lock the fan arm in position before turning on.

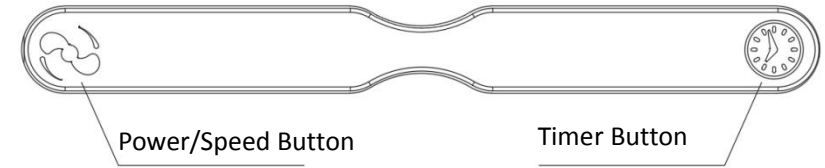
1、 Lock latches

Flip the latches upwards to unlock fan arm. Rotate fan arm to desired direction. Push the latch back down to lock the fan in position.



2、 Speed button

Press Power/Speed button once for low speed, twice for medium speed, three times for high speed and four times to turn the fan off.



3、 Timer button

This fan is equipped with a timer function and can be set a running time of 3, 6, 9 or 12 hours.

To set timer, press Timer Button 1, 2, 3 or 4 times. The LED bar will light up beside selected time and the fan will turn off when the timer setting expires.

To turn the fan off middle timer, press the timer button until the LED bars disappear, then press the Power/Speed button to turn the fan off.

※、 Maintenance

The Fan requires very little maintenance. Following the instructions in this manual, the fan will operate problem-free for several years. Turn the power off to clean. A vacuum cleaner can be used to clear the fan of any dust build-up, or a dry cloth can be used to wipe the surface. Do not use gasoline, diluents, or other irritating chemicals to clean the fan.

※、 Safety

Reverse polarity protection ensures protection of the fan during the input supply is connected in the opposite way.

Overcurrent protection ensures protection against short circuit or damage connect to the motor.

※、Warnings

Do not approach any objects that may be drawn into the blades and stop the airflow.

Do not use outdoors.

Do not use on wet surfaces or immerse in water. Do not allow water to drip into the motor casing.

Do not use if power cord becomes worn or brittle.

Do not use gasoline, diluents, or other irritating chemicals to clean the fan.

Do not use near fireplaces, furnaces, stoves or high temperature heat.

This appliance is not intended for use by persons with reduced physical, sensory or mental capabilities, or lack of experience and knowledge, unless they have been given supervision or instruction concerning use of the appliance by a person responsible for their safety.

Children should be supervised to ensure that they do not play with this product.