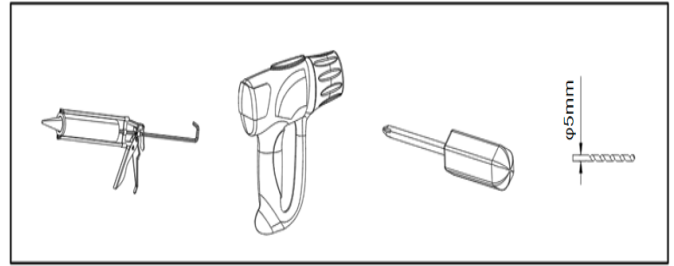
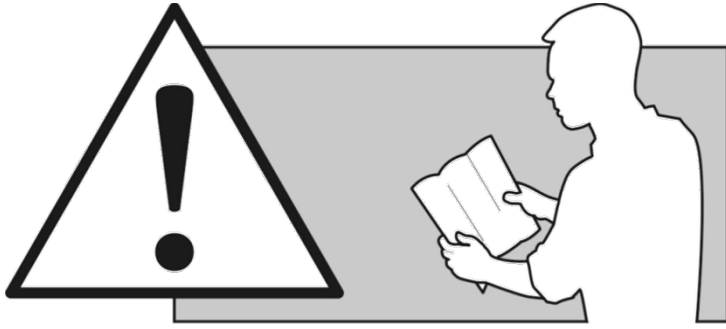


Adventurer Skylight 356mm x 356mm

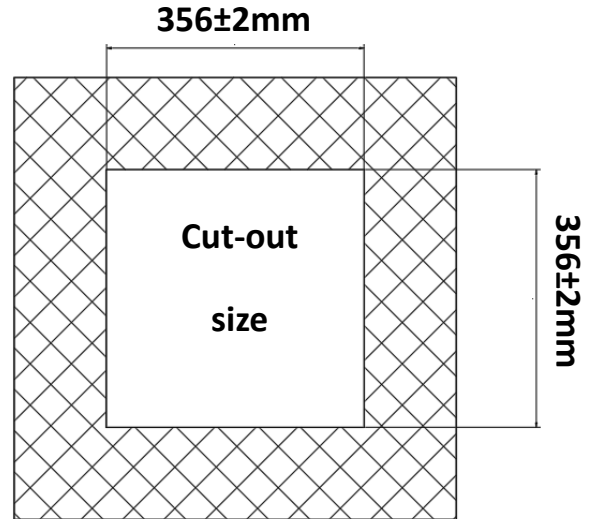
Installation and Operating Manual



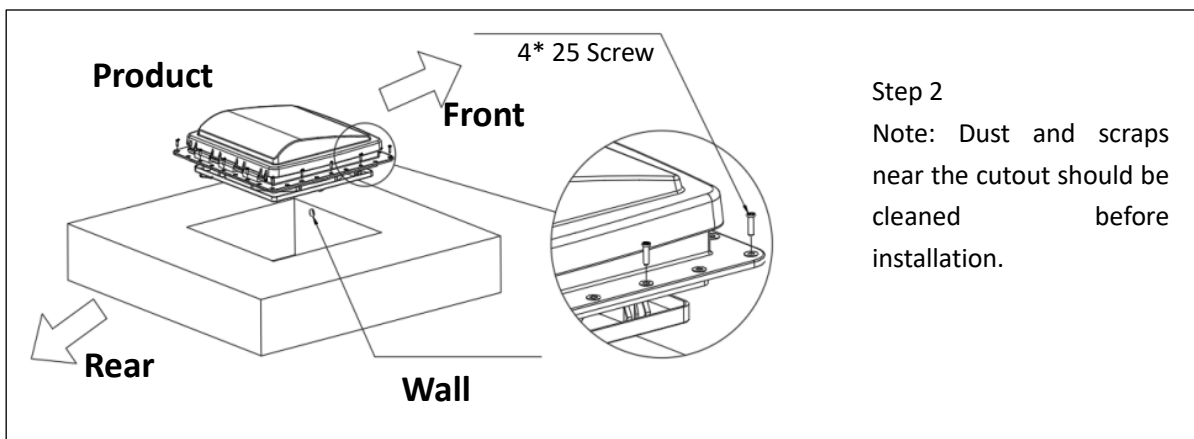
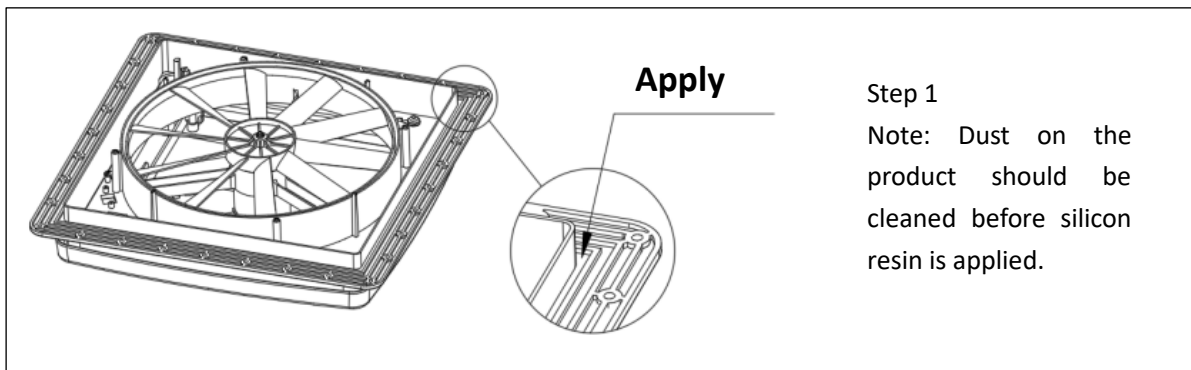


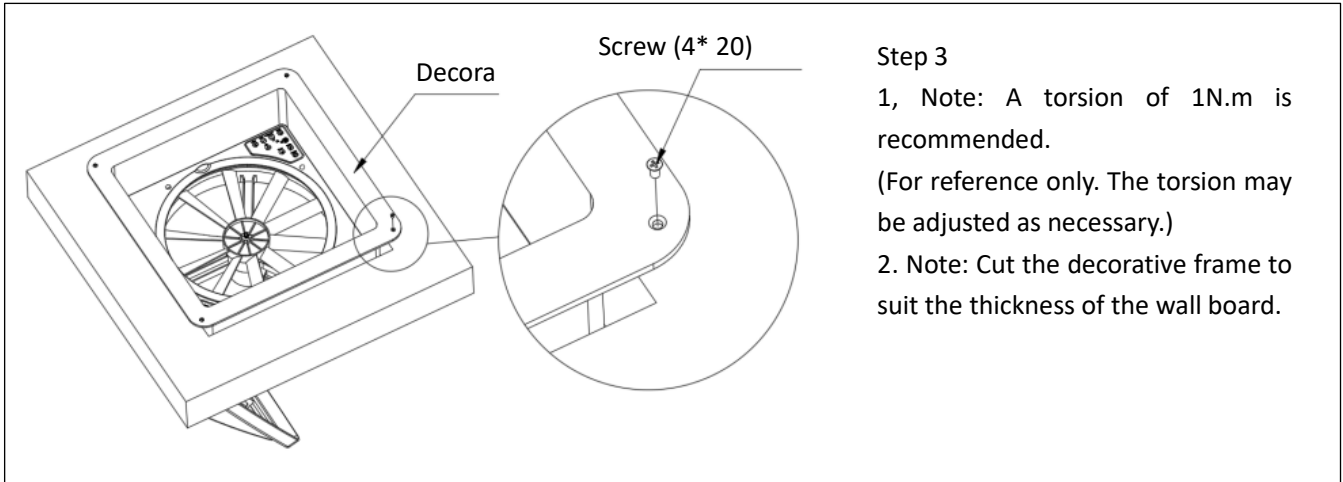
I. Performance

Voltage (V)	12V
Current (A)	2.08A
Power (W)	2W
Ventilating volume (CFM)	/
Maximum opening angle (°)	≤60°
Overall size (mm)	405*405mm
Height above roof	92±2mm
Wall thickness required for installation of product	25 - 50mm

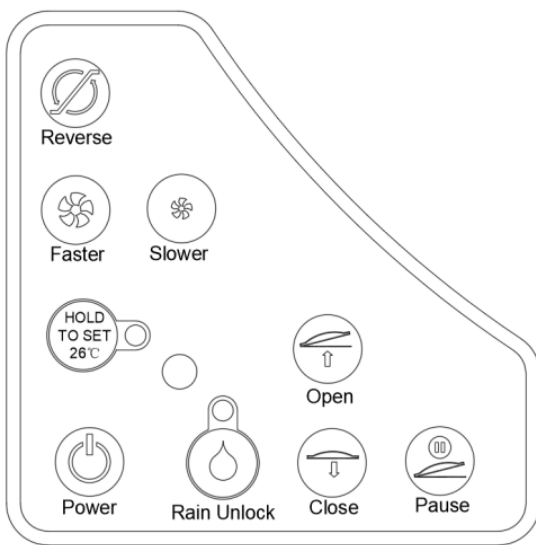


II. Installation

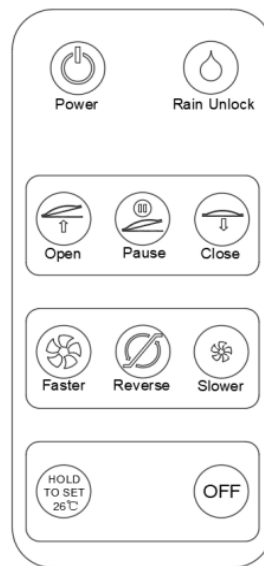




III.








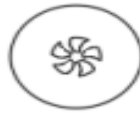




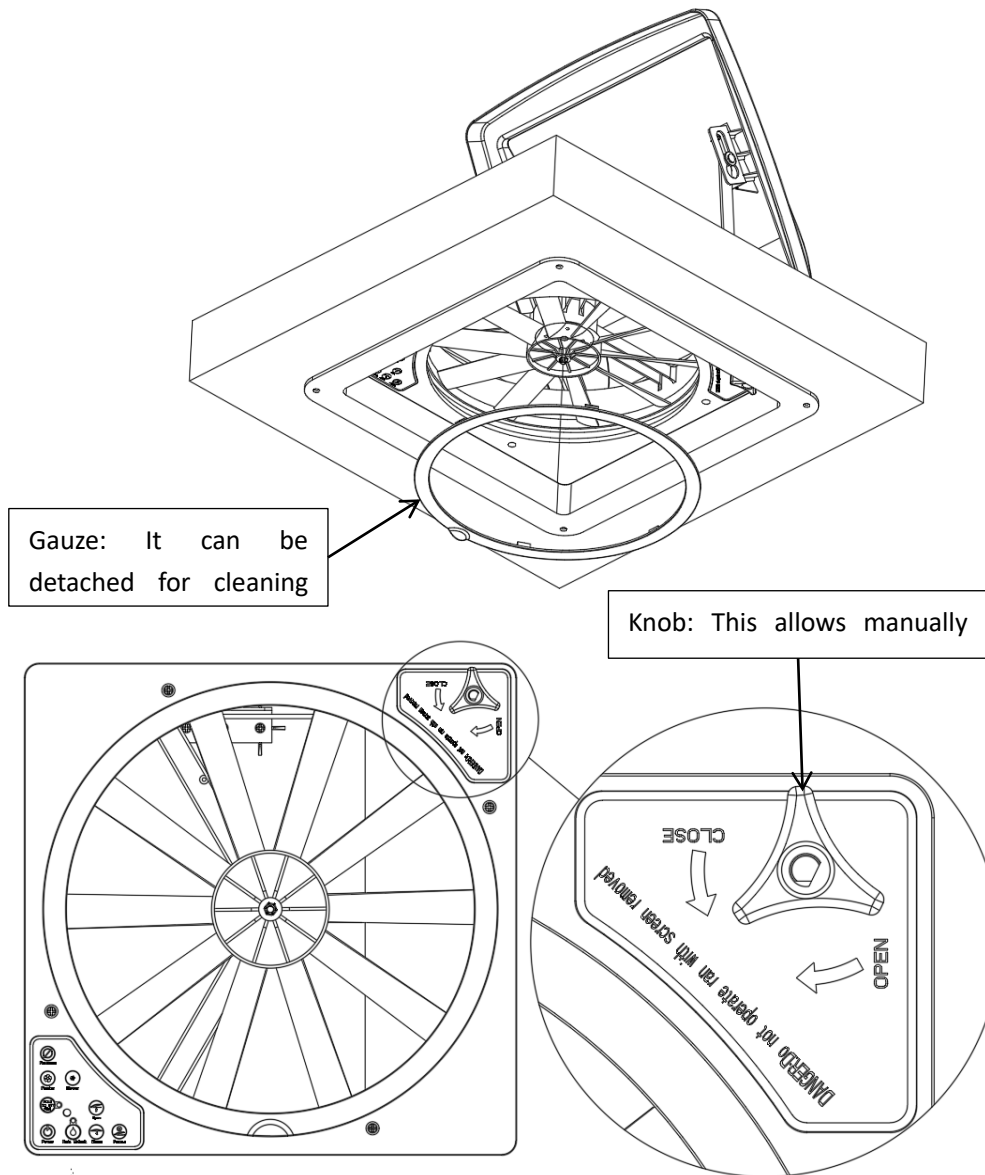
Control panel



Remote control sticker

*. Description of

	Power switch		Rain sensing switch
	Open flip cover		Pause flip cover
	Close flip cover		Increase air volume Note: Four levels are designed for the air volume,
	Air exhaust switch		Reduce air volume Note: Four levels are designed for the air volume,
	Temperature control		Disable temperature control mode



*** Operation and maintenance instructions**

1. If there is any problem with the product, please contact the dealer.
2. Opening the cover: Turn the knob counterclockwise to open or clockwise to close the cover.
3. Maximum open state: Fully open at 60°.
4. Motor overheat protection temperature: 85°C.
5. Check that the cover is closed when the vehicle runs or it rains, to prevent the product against damage.
6. When cleaning the inner and outer frames of the ventilator, do not use any cleaning products, chemicals or polishing equipment. Only use water and soft cloth.
7. Dust or debris on the ventilator can be removed with a dust remover. Do not use strong winds in case of damage to the product.
8. The ventilator is designed to be rainwater proof. However, horizontal water flow with high pressure may harm the product.