



AG PUMP

A residential Pool Pump specially designed to be used on above ground and ornamental ponds.



Benefits

- Self priming to 1.8 metres
- Heavy duty long life IP55 rated motor
- Quiet running 55dB rating
- Glass filled polypropylene tank has a high chemical resistance
- High-grade stainless steel motor shaft
- AISI 316 carbon/ceramic mechanical seal
- 1.65 Litre strainer basket and clear body lid for easy inspection
- Can be used with high salt water concentration
- ABS solvent weld unions 50mm/1.5"

 **Plastica**

The UK's Leading Independent Swimming Pool Manufacturer and Distributor

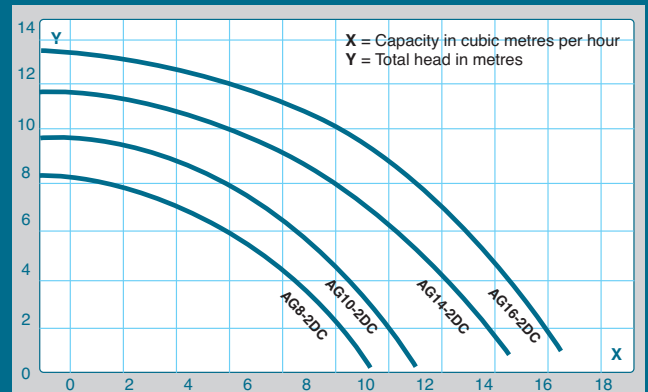


AG PUMP

The Argonaut baby brother, Plastica AG pump has been designed and engineered in the same way. A superior build quality ensures performance durability and reliability.

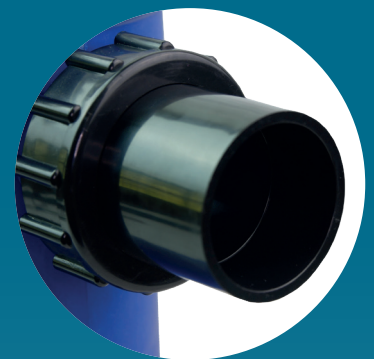
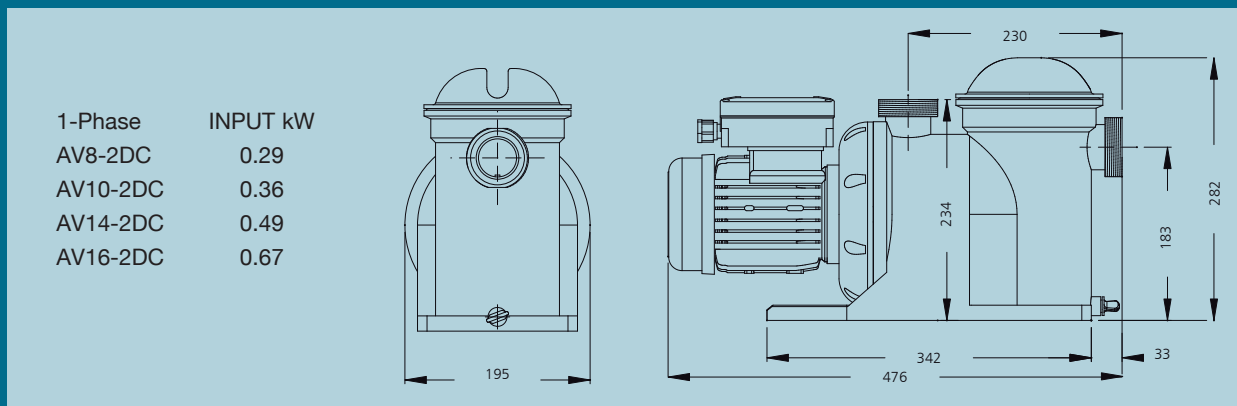
The mechanical seal made with AISI 316 Stainless steel is suitable for a wide range of applications including chlorine, bromine, iodine and even sea water.

All IP55 rated motors include a high-grade Stainless steel shaft, ranging from 0.25 Horse Power (0.19 KW) to 0.66 Horse Power (0.49 KW) The AG truly is an exceptional choice for your smaller applications.



0.25hp = 0.19kW
0.50hp = 0.37kW

0.33hp = 0.25kW
0.66hp = 0.49kW



Adjustable union for both metric and imperial 50mm and 1.5"

Voltage	230v, 50Hz
Material	Tank: Glass filled Blue Polypropylene Motor: Aluminium Shaft: High-grade stainless steel
Unions	ABS solvent weld unions for 50mm/1.5"
Cable Gland	PG11
Motor Insulation degrees	Class F
Noise	55dBA

The UK's Leading Independent Swimming Pool Manufacturer and Distributor