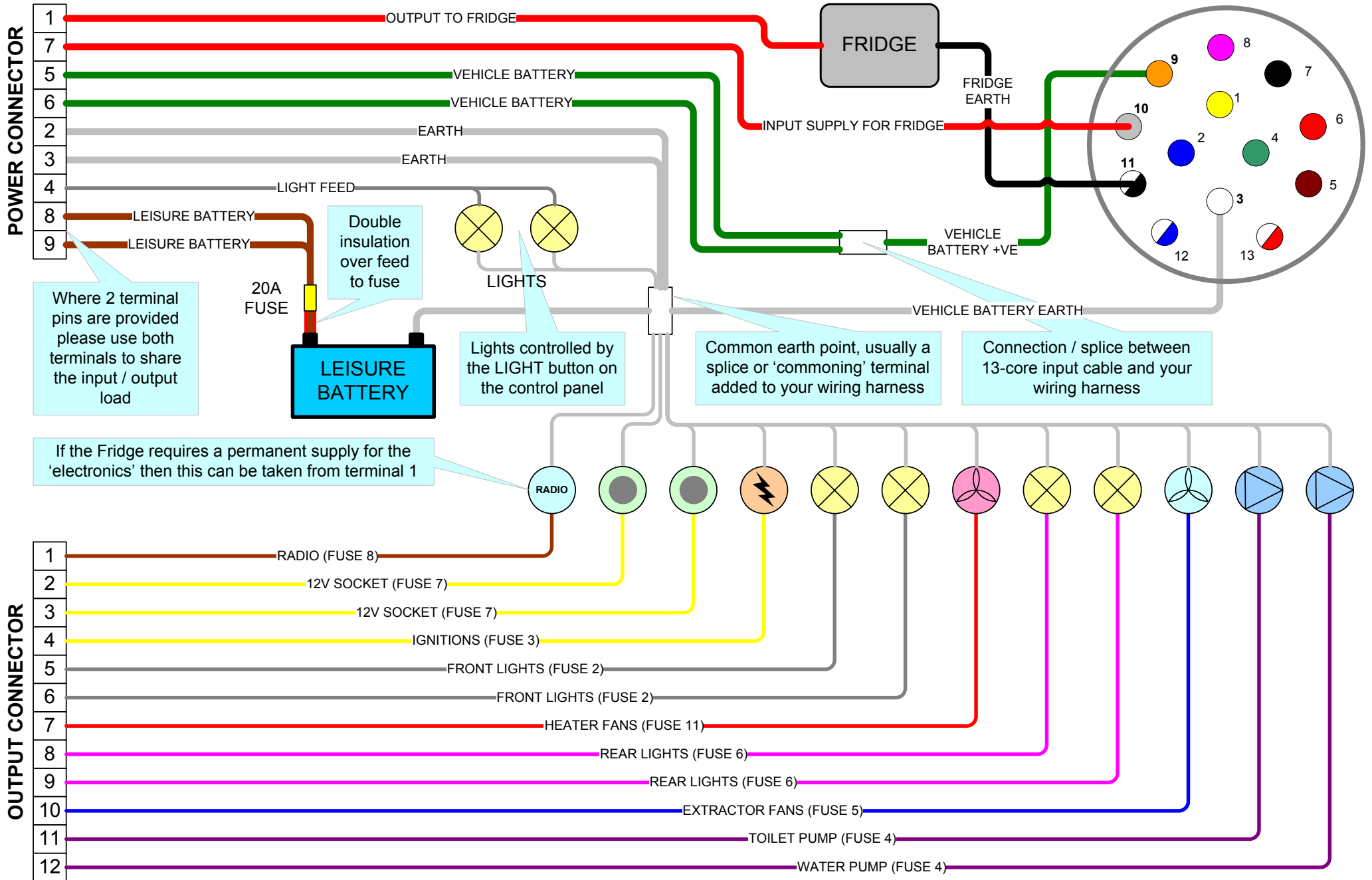


12v Installation – Basic harness available part PD3040-04



Where 2 terminal pins are provided please use both terminals to share the input / output load

If the Fridge requires a permanent supply for the 'electronics' then this can be taken from terminal 1

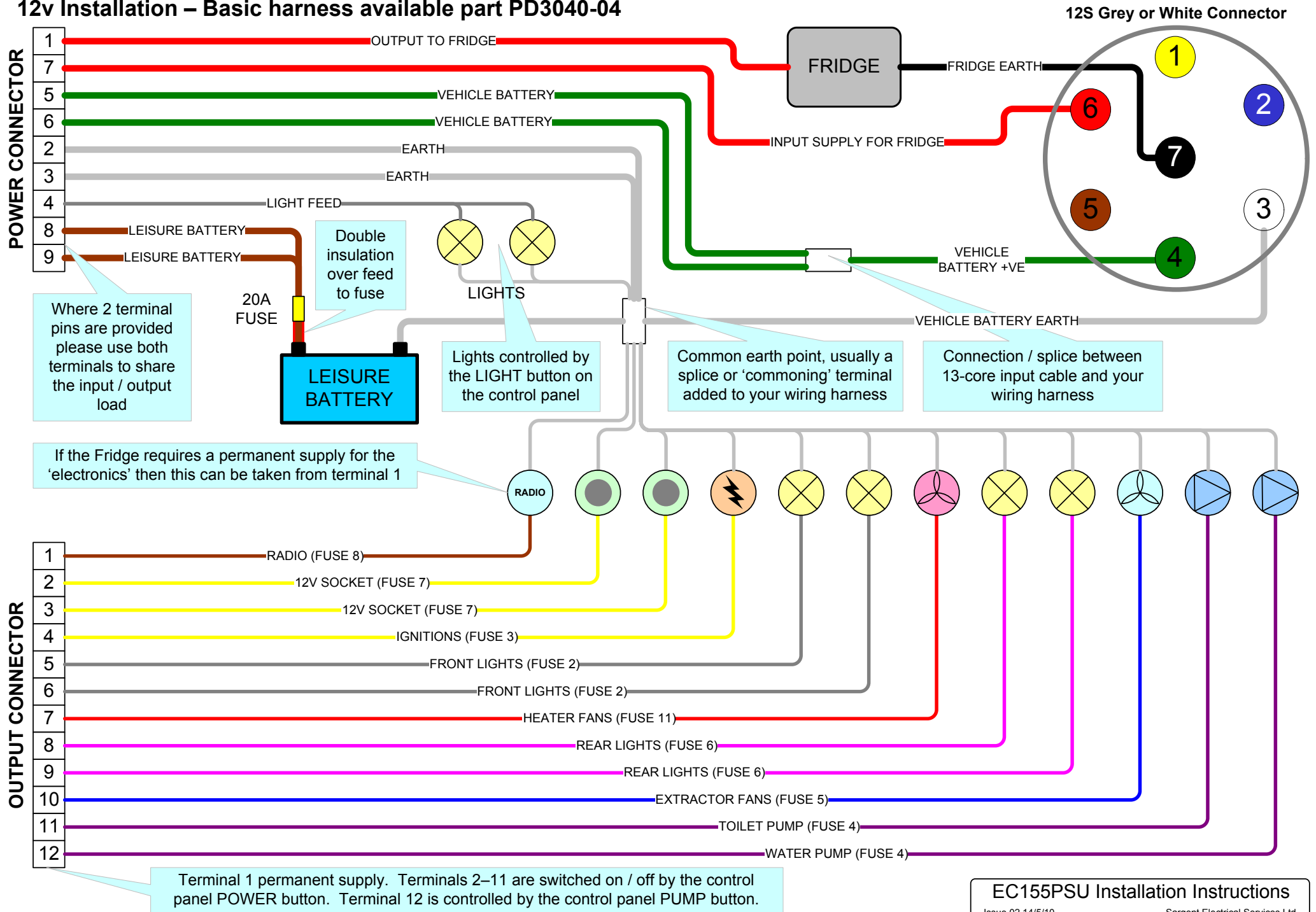
Lights controlled by the LIGHT button on the control panel

Common earth point, usually a splice or 'commoning' terminal added to your wiring harness

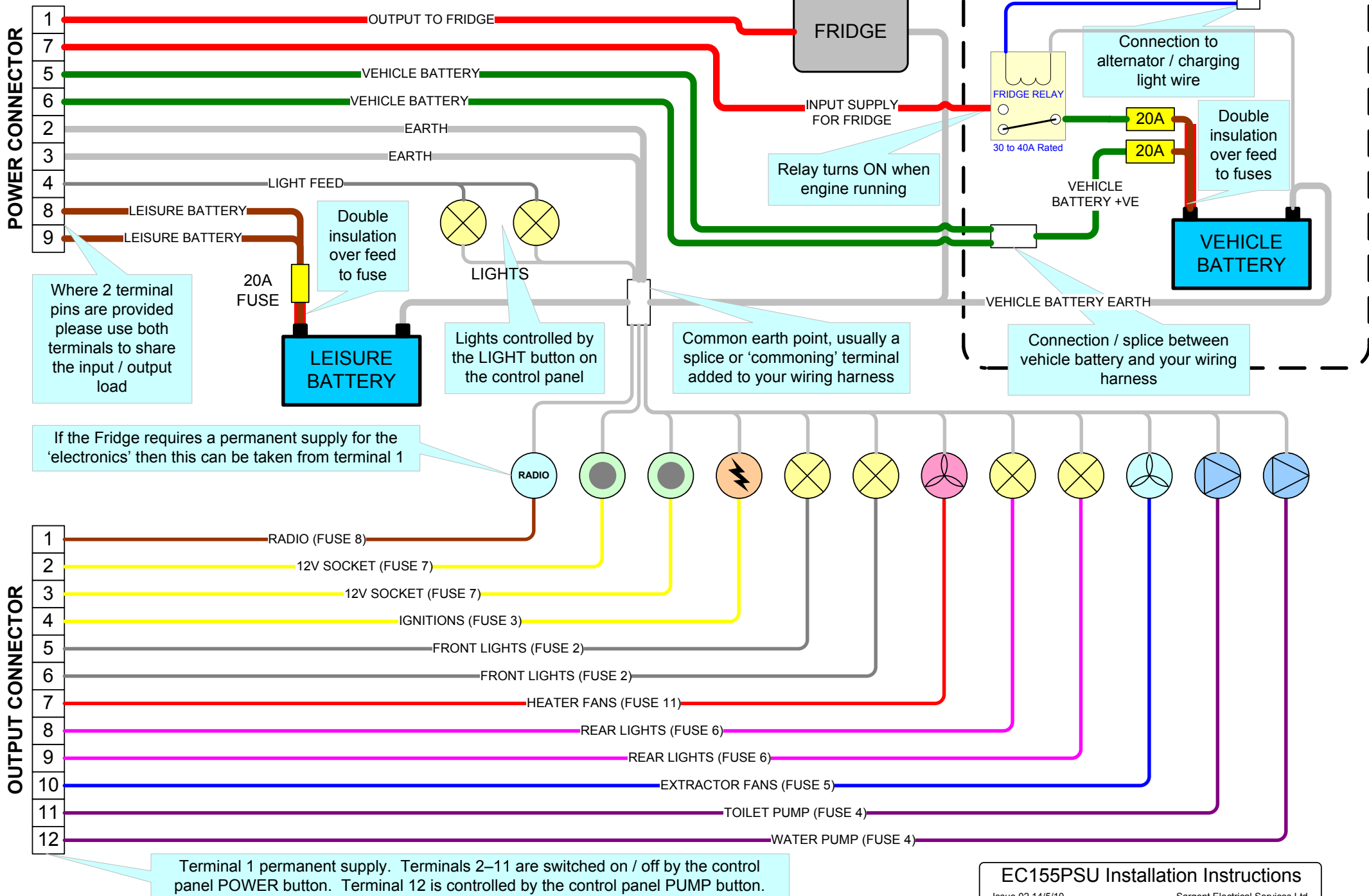
Connection / splice between 13-core input cable and your wiring harness

Terminal 1 permanent supply. Terminals 2–11 are switched on / off by the control panel POWER button. Terminal 12 is controlled by the control panel PUMP button.

12v Installation – Basic harness available part PD3040-04



12v Installation – Basic harness available part PD3040-04



230v Installation – Basic harness available part PD3041-04

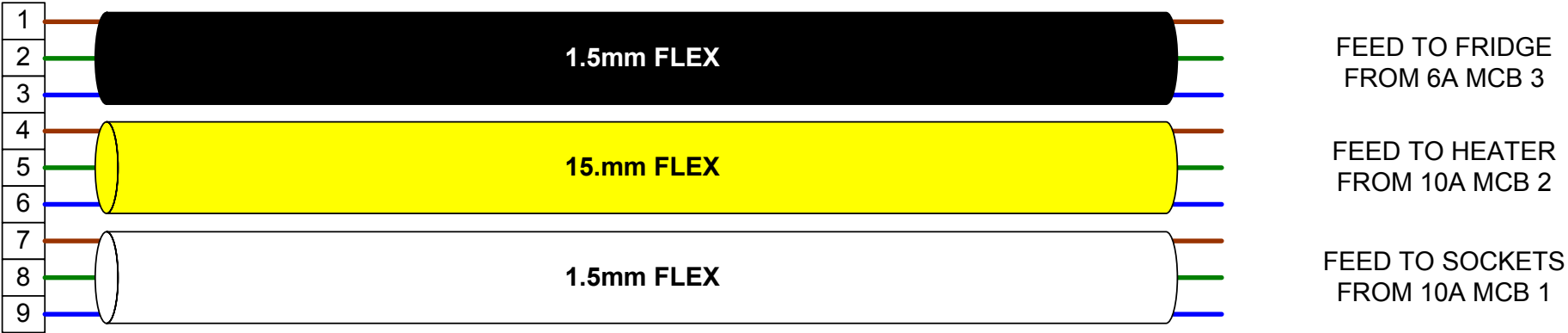
EARTH BOND



230V INPUT



230V OUTPUT 1



230v output connectors 1 & 2 are wired identical, you can use either connector or both depending on you wiring requirements

230V OUTPUT 2

