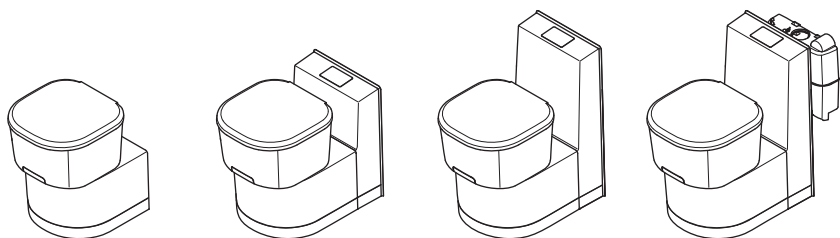
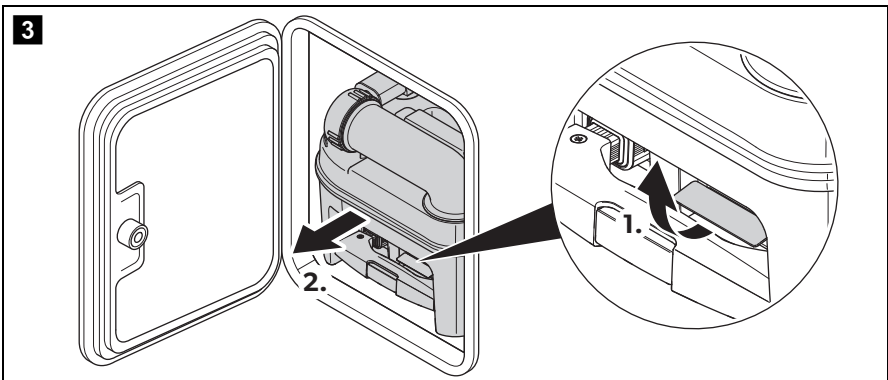
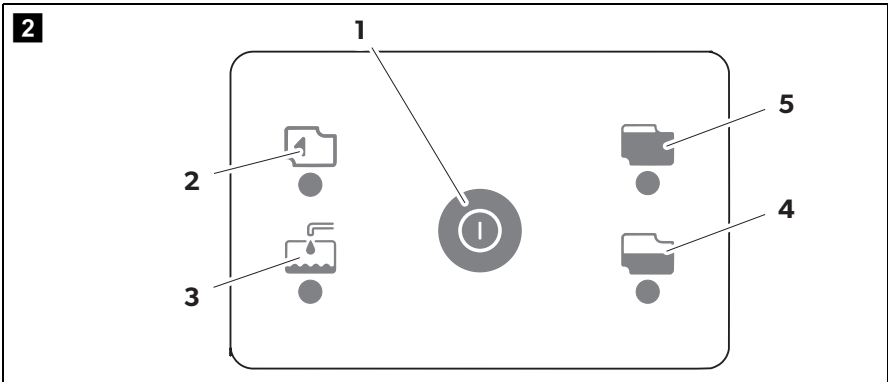
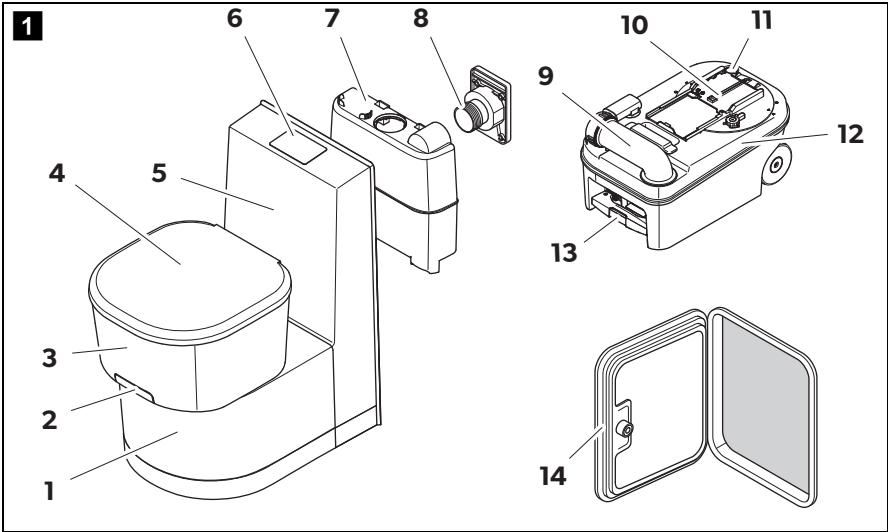


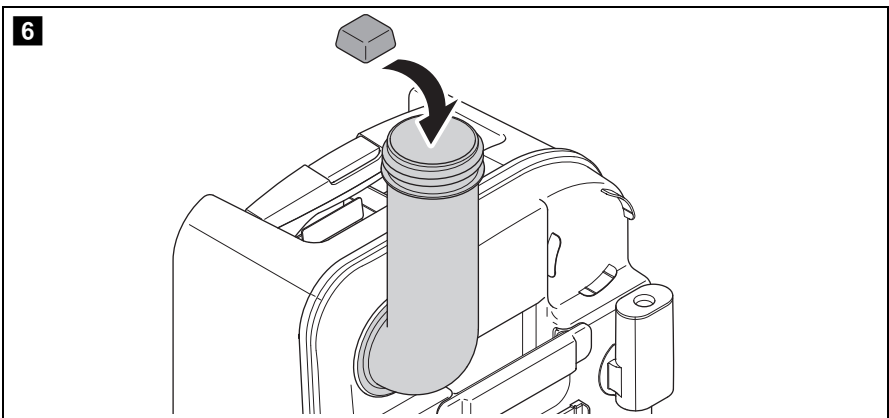
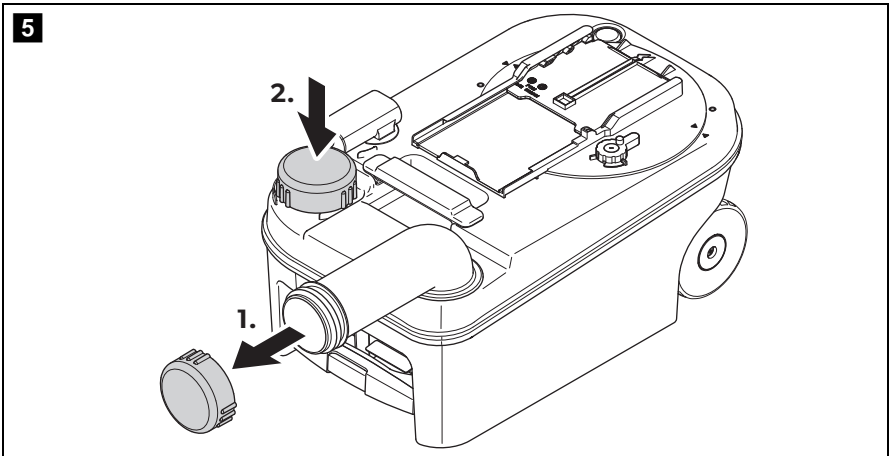
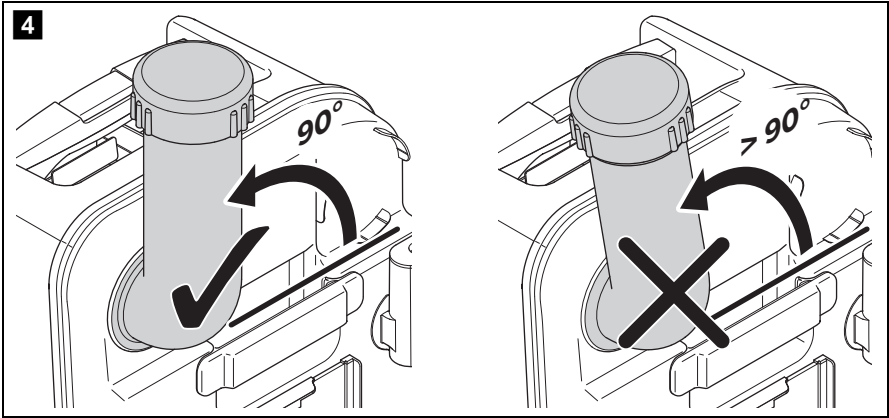
# ↔ DOMETIC SANITATION Saneo

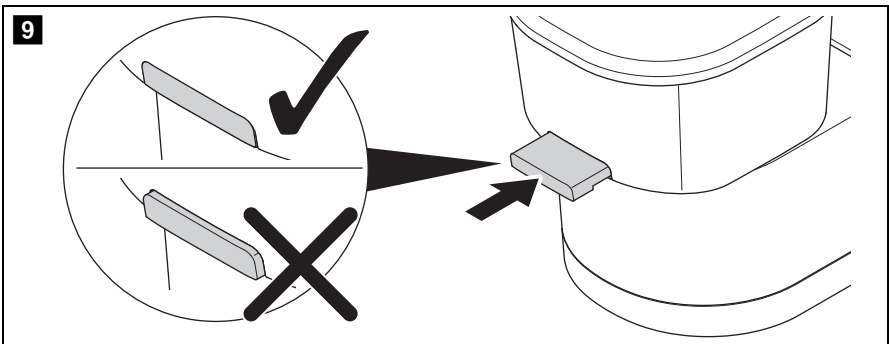
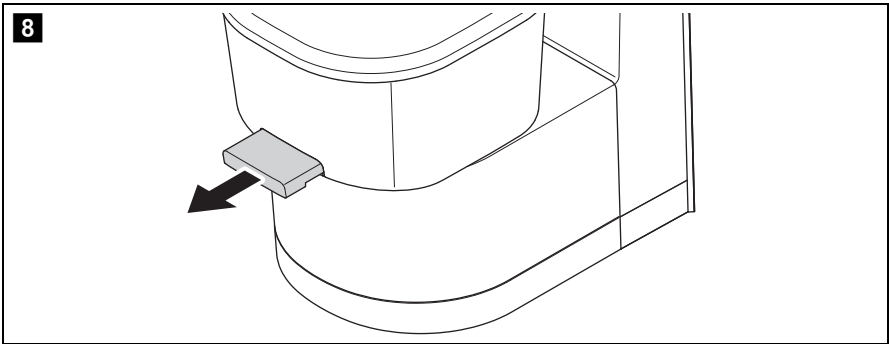
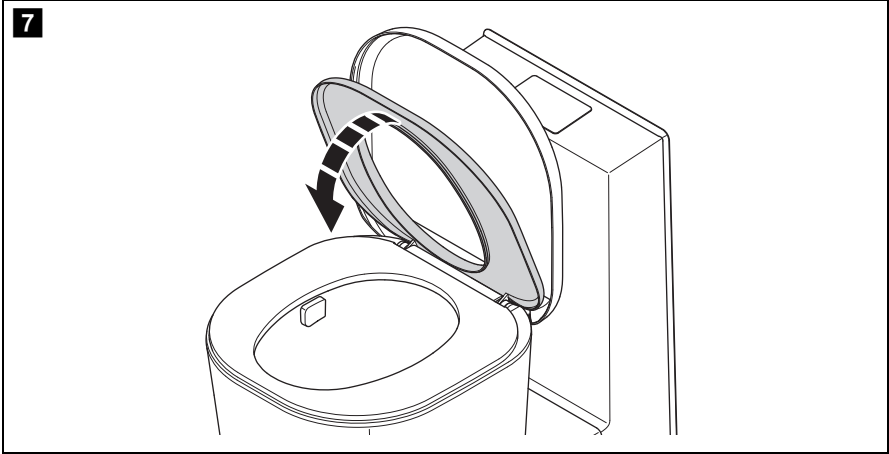


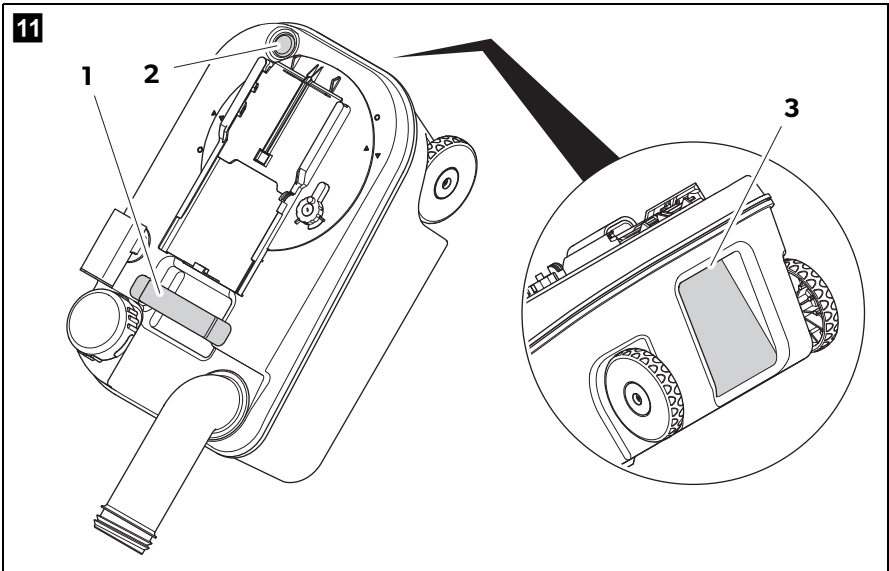
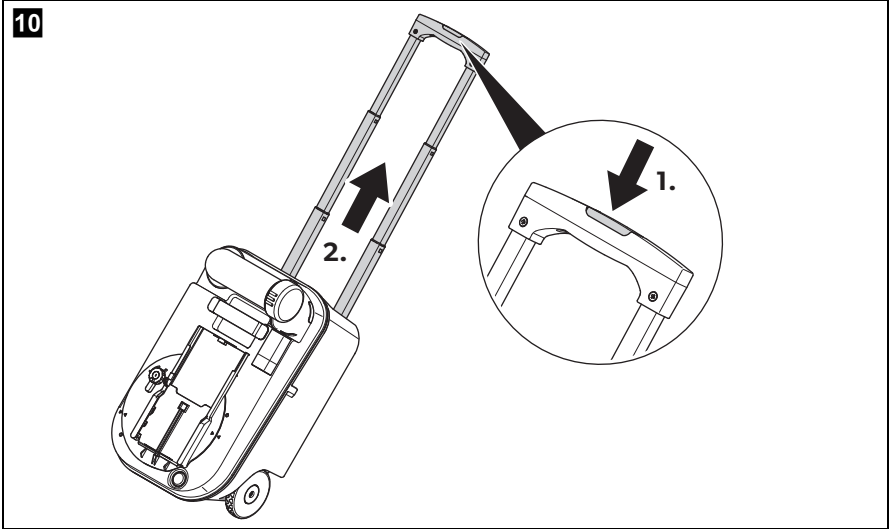
Saneo<sup>®</sup> B, Saneo<sup>®</sup> C, Saneo<sup>®</sup> BLP, Saneo<sup>®</sup> CLP, Saneo<sup>®</sup> BS, Saneo<sup>®</sup> CS,  
Saneo<sup>®</sup> BW, Saneo<sup>®</sup> CW

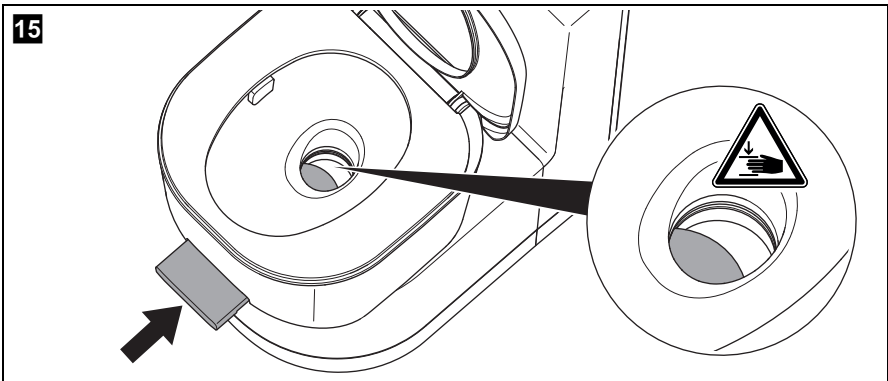
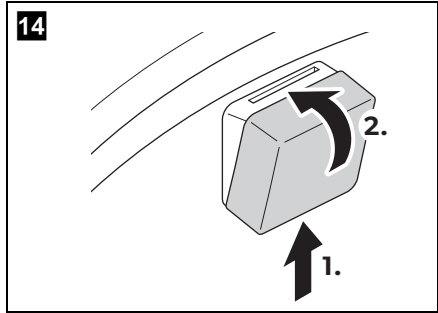
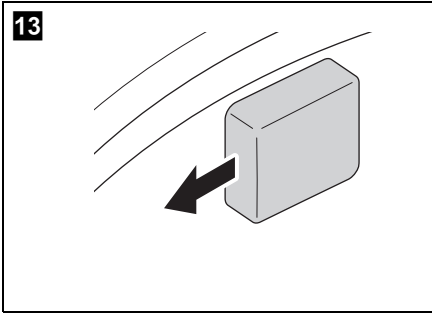
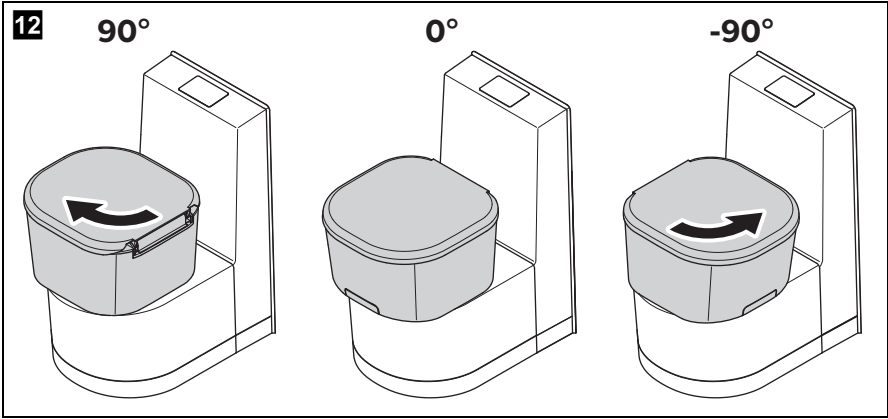
EN	<b>Cassette toilet</b> Operating manual .....	14
DE	<b>Kassettentoilette</b> Bedienungsanleitung .....	32
FR	<b>Toilettes à cassette</b> Notice d'utilisation .....	51
IT	<b>Toilette a cassetta</b> Istruzioni per l'uso .....	70
NL	<b>Cassettetoilet</b> Gebruiksaanwijzing .....	89

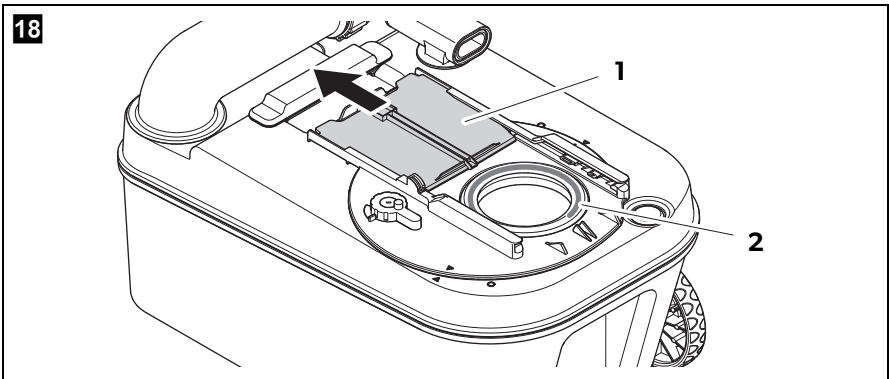
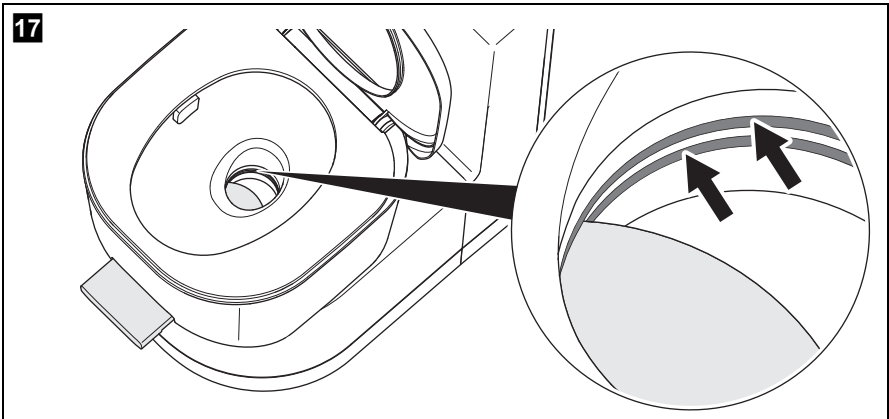
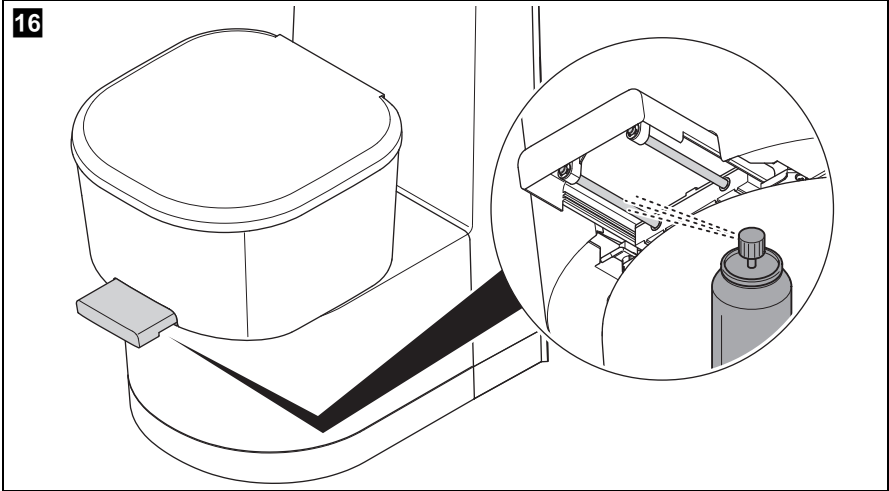


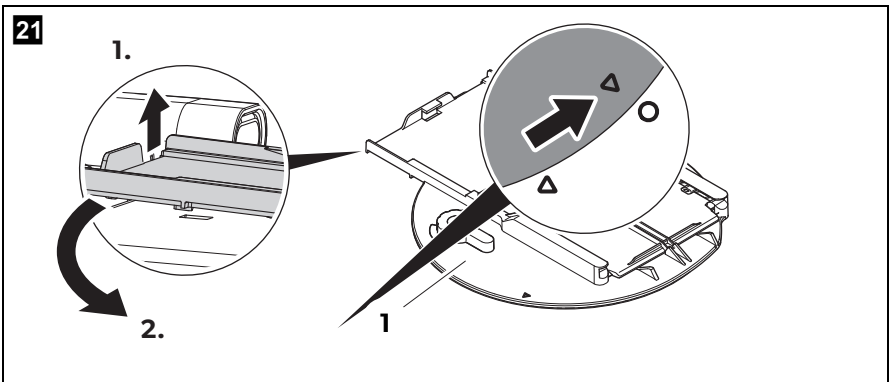
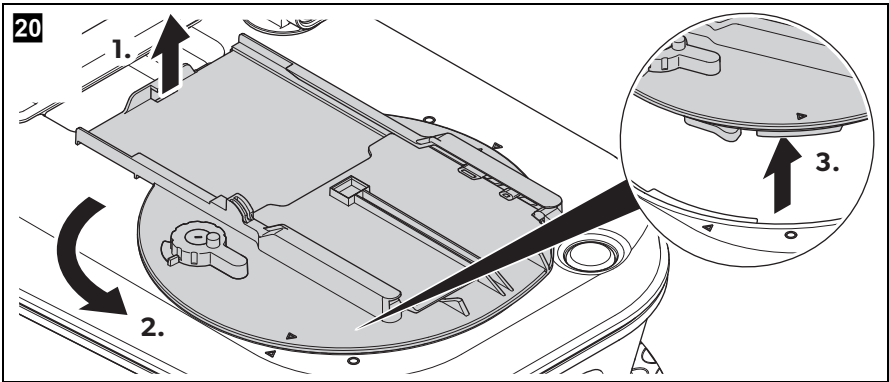
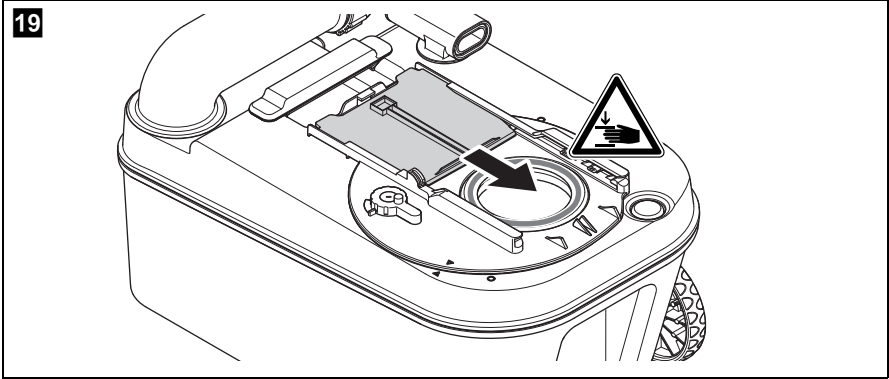




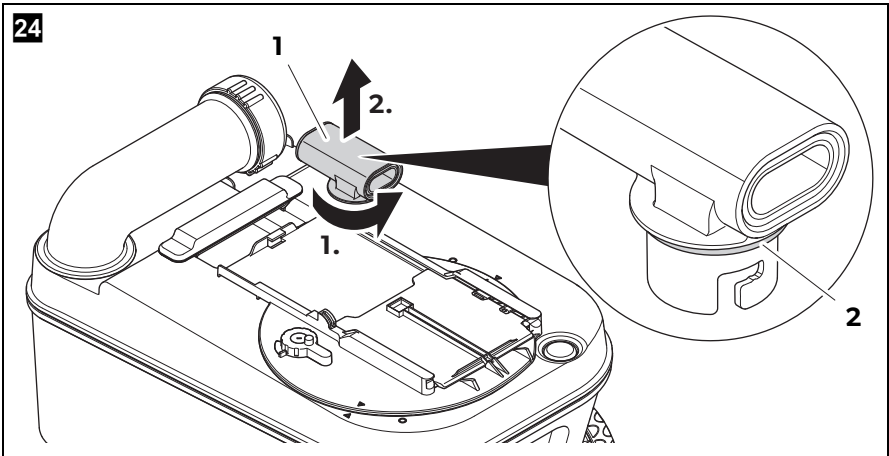
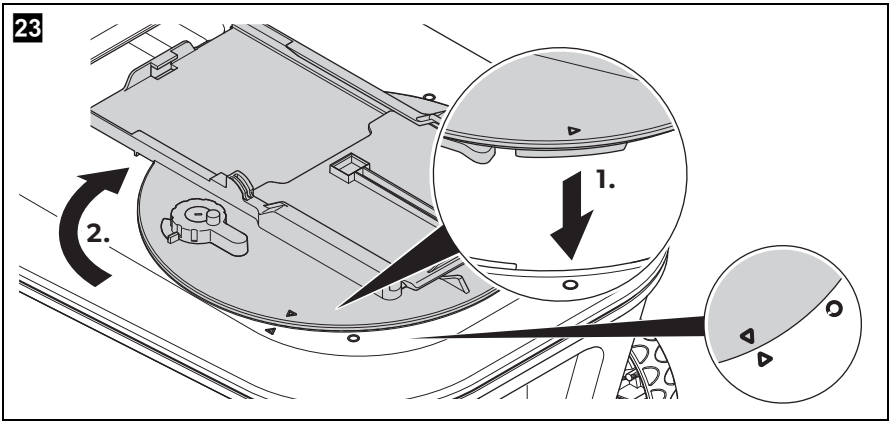
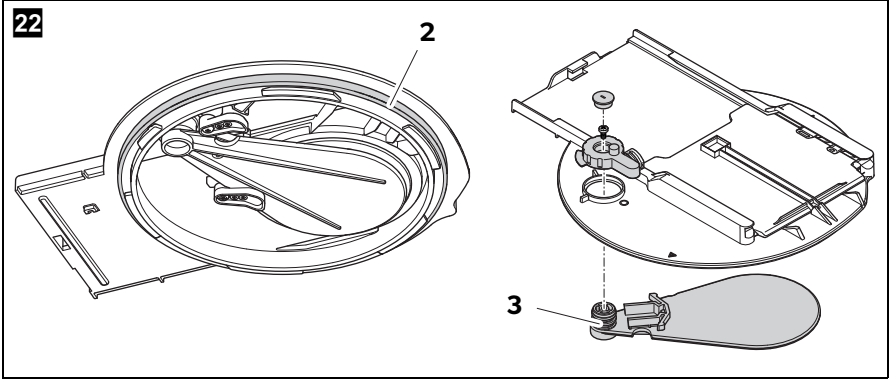


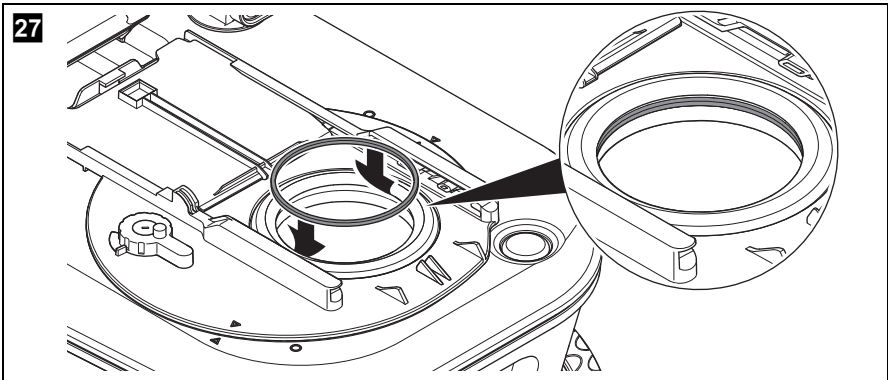
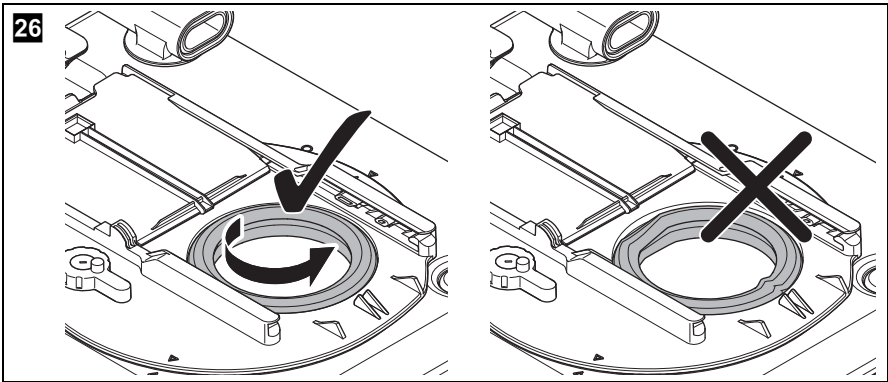
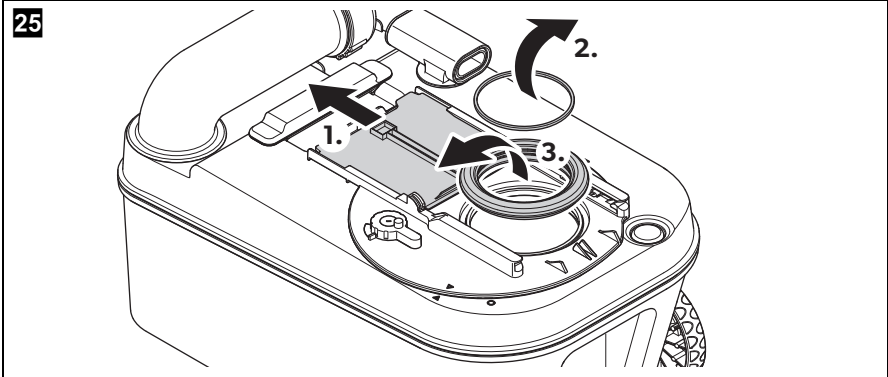


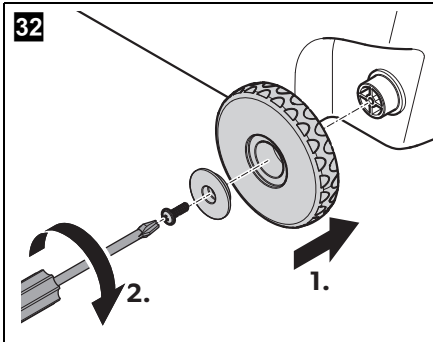
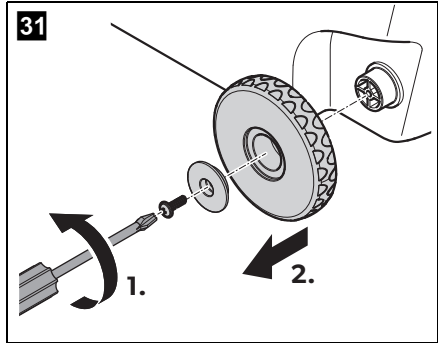
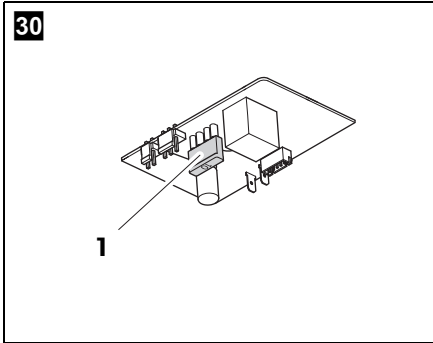
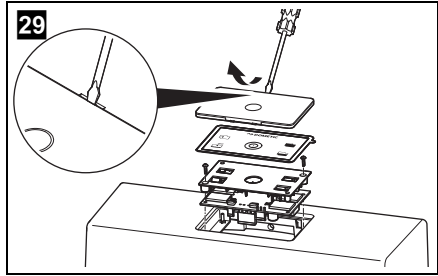
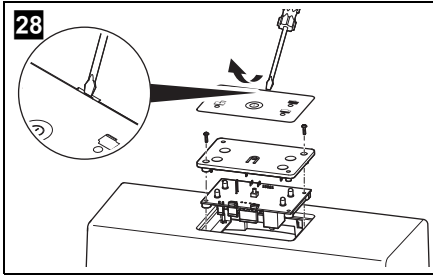


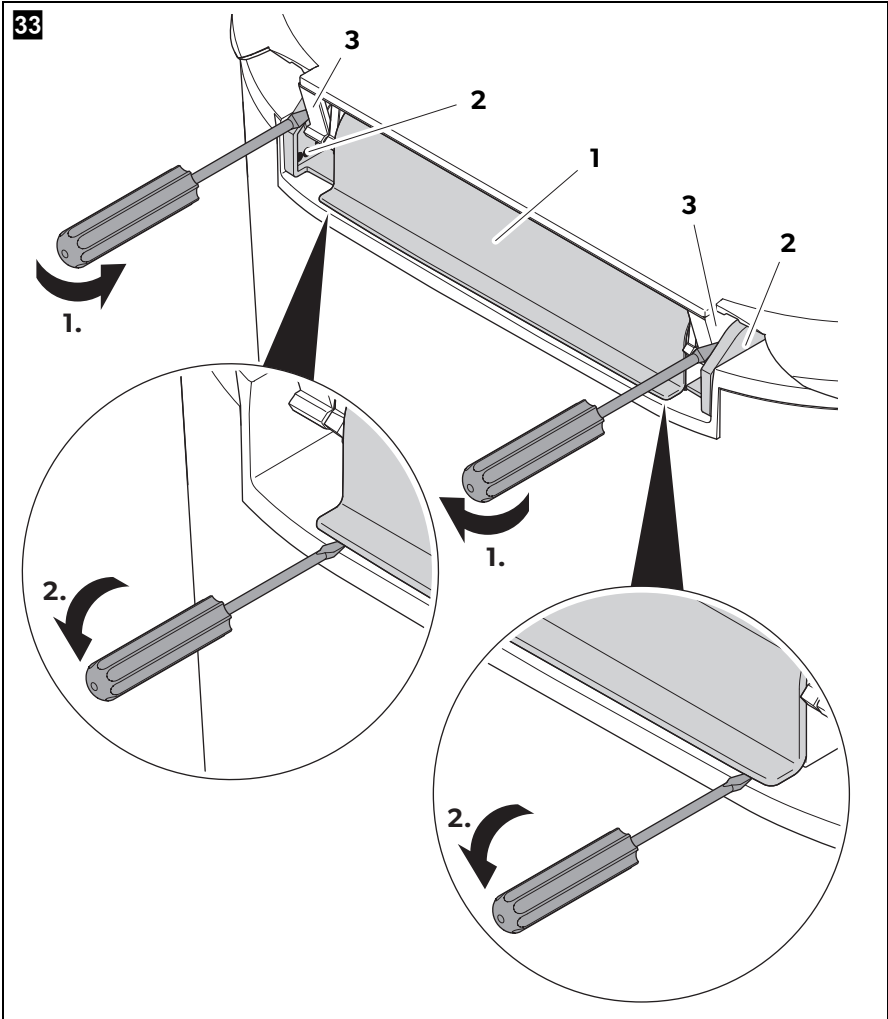


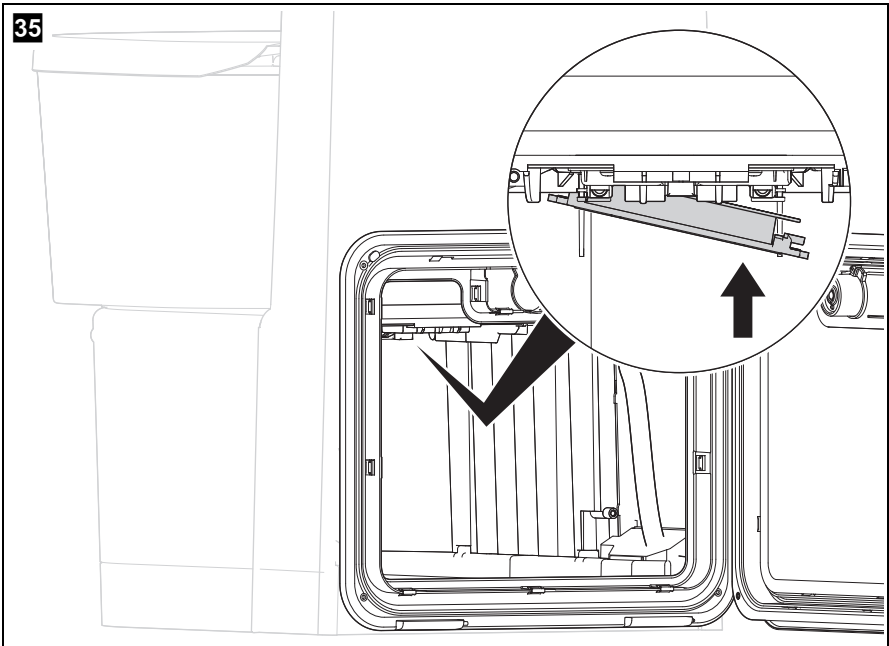
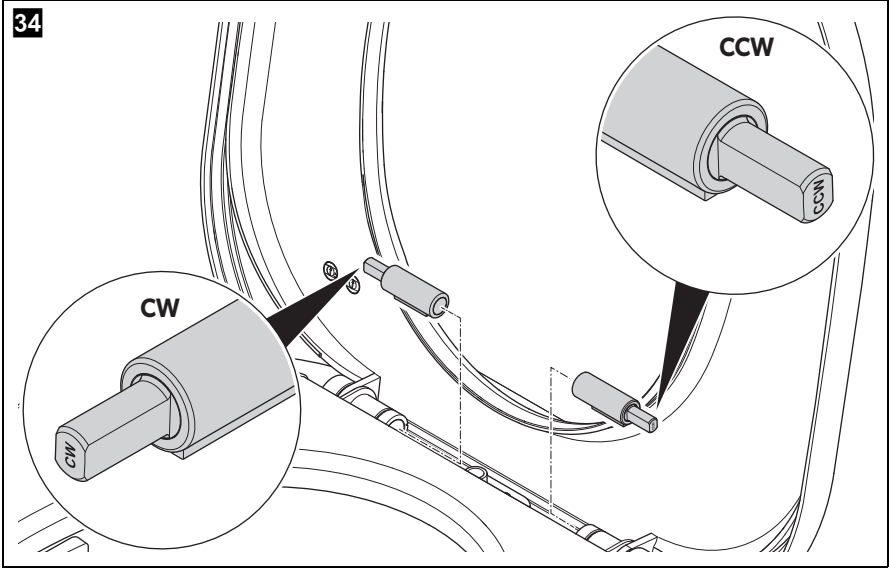












**Please read this instruction manual carefully before first use, and store it in a safe place. If you pass on the product to another person, hand over this instruction manual along with it.**

## Table of contents

<b>1</b>	<b>Explanation of symbols</b> .....	15
<b>2</b>	<b>Safety instructions</b> .....	15
2.1	General safety .....	16
2.2	Use of sanitary additives .....	16
<b>3</b>	<b>Accessories</b> .....	17
<b>4</b>	<b>Intended use</b> .....	17
<b>5</b>	<b>Technical description</b> .....	17
5.1	Description of the components .....	18
5.2	Control and display elements .....	19
<b>6</b>	<b>Using the toilet</b> .....	19
6.1	Sanitary additives .....	19
6.2	Preparing the cassette tank .....	20
6.3	Filling the freshwater tank .....	21
6.4	Using the toilet .....	21
6.5	Draining the cassette tank .....	22
6.6	Positioning the toilet seat .....	23
6.7	Winter operation .....	23
6.8	Taking the toilet out of service .....	23
<b>7</b>	<b>Cleaning and maintenance</b> .....	24
7.1	Cleaning the flushing nozzle .....	24
7.2	Greasing the slider .....	24
7.3	Greasing the cassette seal .....	25
7.4	Cleaning the bayonet fitting and greasing the bayonet seal .....	25
7.5	Greasing the O-ring of the cassette vent .....	25
<b>8</b>	<b>Maintenance</b> .....	26
8.1	Spare parts .....	26
8.2	Replacing the cassette seal .....	26
8.3	Replacing the bayonet seal .....	27
8.4	Replacing the fuse in the operating unit .....	27

8.5	Replacing the wheels on the cassette tank .....	27
8.6	Removing and replacing the lid and seat .....	27
8.7	Installing/replacing the Autoclose .....	28
<b>9</b>	<b>What to do in case of problems</b> .....	<b>29</b>
<b>10</b>	<b>Warranty</b> .....	<b>30</b>
<b>11</b>	<b>Disposal</b> .....	<b>30</b>
<b>12</b>	<b>Technical data</b> .....	<b>31</b>

## 1 Explanation of symbols



### **WARNING!**

**Safety instruction:** Failure to observe this instruction can cause fatal or serious injury.



### **CAUTION!**

**Safety instruction:** Failure to observe this instruction can lead to injury.



### **NOTICE!**

Failure to observe this instruction can cause material damage and impair the function of the product.



### **NOTE**

Supplementary information for operating the product.

## 2 Safety instructions

The manufacturer accepts no liability for damage in the following cases:

- Damage to the product resulting from mechanical influences and excess voltage
- Alterations to the product without express permission from the manufacturer
- Use for purposes other than those described in the operating manual

The declaration of conformity can be requested from the manufacturer (contact information on the back).

## 2.1 General safety



### WARNING!

- This device can be used by children aged 8 years or over, as well as by persons with diminished physical, sensory or mental capacities or a lack of experience and knowledge, providing they are supervised, or have been taught how to use the device safely and are aware of the resulting risks.
- Cleaning and user maintenance must not be carried out by unsupervised children.
- Children must be supervised to ensure that they do not play with the device.



### NOTICE!

- Do not shake the cassette tank vigorously.
- Do not hang the cassette tank on a bicycle or other vehicle for transportation.
- Do not use antifreeze. These agents may damage the cassette toilet.
- The toilet is designed for a person weighing no more than 150 kg.

## 2.2 Use of sanitary additives



### CAUTION!

- Store the sanitary accessories so that children cannot access them.



### NOTICE!

- When using sanitary additives for use and cleaning of the toilet, pay attention to the instructions for use on the packaging.



### NOTE

- Conventional toilet paper can clog the toilet. Use a special fast-dissolving toilet paper.  
The manufacturer recommends Dometic COMFORT CARE.



### 3 Accessories

Available as accessories (not included in the scope of delivery):

Description
Autoclose function (included with Saneo C)
Touch-switch control unit
Tact-switch control unit

On the Dometic website (see back page) you can find information about sanitary accessories.

### 4 Intended use

The toilet is designed for installation and use in recreational vehicles such as campervans or motor caravans.

### 5 Technical description

The cassette toilet Saneo consists of a toilet permanently installed in the vehicle and a removable, mobile cassette as a holding tank. The cassette is externally accessible through a door. Depending on the model, the toilet gets the rinse water from a tank integrated in the housing or from a freshwater tank in the vehicle.

The following model versions of the toilet are available:






- **Saneo B, Saneo C:** freestanding, without water tank, without console
- **Saneo BS, Saneo CS:** freestanding, without water tank, with console
- **Saneo BW, Saneo CW:** freestanding, with a water tank in the console
- **Saneo BLP, Saneo CLP:** freestanding, without water tank, low console

Saneo C models can be equipped with an interval flush (optional). The water is pumped into the toilet bowl in short spurts in order to achieve improved flush wetting and cleaning. The wetting and cleaning depend on the amount of water available in the vehicle.

## 5.1 Description of the components

No. in fig. 1, page 2	Label
1	Housing for cassette tank
2	Draining slider for toilet bowl
3	<b>Saneo B models:</b> Plastic toilet bowl <b>Saneo C models:</b> Ceramic toilet bowl
4	Seat (lid/toilet seat): <b>Saneo B models:</b> without Autoclose (Autoclose retrofit kit optional) <b>Only Saneo C models:</b> with Autoclose
5	Console
6	Control panel with level indicator and flushing
7	<b>Only Saneo BW/ CW:</b> Integrated freshwater tank
8	<b>Only Saneo BW/ CW:</b> Tank flap
9	Drain pipe
10	Slider on the cassette
11	Vent knob for draining
12	Cassette tank
13	Removable handle
14	Service door

## 5.2 Control and display elements

Item in fig. 2, page 2	Label
1	 "Flush" button
2	 "Cassette tank removed" indicator
3	 "Fill freshwater tank" indicator (Not always connected when using the on-board tanks)
4	 "Cassette tank 3/4 full" indicator
5	 "Cassette tank full" indicator

## 6 Using the toilet



### NOTE

- Before putting the toilet into operation, you should clean inside and outside with a soft cloth and lukewarm water with a mild cleaning agent (also refer to chapter "Cleaning and maintenance" on page 24).
- Clean and grease the seals of your toilet regularly (see chapter "Cleaning and maintenance" on page 24).

### 6.1 Sanitary additives

Sanitary additives for the holding tank decompose faeces and prevent unpleasant odours.

The manufacturer recommends:

- Dometic POWER CARE TABS
- Dometic GREEN CARE TABS

When using sanitary additives, please note the instructions for use on the packaging.



### NOTE

Conventional toilet paper can clog the toilet. Use a special fast-dissolving toilet paper. The manufacturer recommends Dometic COMFORT CARE.

On the Dometic website (see back page) you can find further information about sanitary accessories.

## 6.2 Preparing the cassette tank

### Removing the cassette tank

Proceed as follows (fig. **3**, page 2):

- Open the service door.
- Push the catch upward to unlock the cassette tank.
- Pull the cassette tank out of the cassette housing. When pulling out the tank, resistance has to be overcome.



#### NOTE

When the cassette is removed, the slide handle on the toilet housing is locked. The cassette can only be inserted when the slider is closed. Do not pull on the slider handle when the cassette has been removed.

### Adding sanitary additive

- Position the cassette tank upright.
- Rotate the drain pipe approx. 90° upward (fig. **4**, page 3).



#### NOTE

Avoid turning the drain pipe more than 90°, as it otherwise can come off (fig. **4**, page 3).

- Twist off the cap (fig. **5**, page 3).
- Put the cap onto the cassette (fig. **5**, page 3).
- Add sanitary additive into the cassette tank via the drain pipe (fig. **6**, page 3). Observe the instructions for the sanitary additive.

### Pushing the cassette tank into the cassette housing



#### NOTICE!

Ensure that the cassette tank can be pushed into the cassette housing easily. Make sure that the cassette tank does not bump into other objects or components.

- Slide the cassette tank all the way into the cassette housing.

- ✓ The cassette tank lock locks by itself upon being pushed in.
- Check that the cassette tank is securely installed.
- Close and lock the service door.

### 6.3 Filling the freshwater tank

- Fill the freshwater tank through the filler neck on the outside of the vehicle. The amount depends on the tank used (the integrated tank for models Saneo BW and Saneo CW = 7 litres).

### 6.4 Using the toilet

The toilet seat is secured against falling in the open 90° position. With models with Autoclose, the seat lowers slowly when triggered (fig. **7**, page 4).



#### NOTE

The slider must be closed while driving, and no liquid should be above the slider.

- Before use, press the flush button **1** to wet the surface of the bowl. A flushing operation is limited to 20 seconds regardless of how long the button is pressed. You may be able to hear the relay switching.
- Pull the slider (fig. **8**, page 4) forward. Leave the slider open during use.
- After use, press the flush button **1** to rinse the bowl again.
- Close the slider (fig. **9**, page 4).

When closing the slider, slight resistance can be felt from a distance of about 10 mm from the housing. The slider is closed when the slider handle is flush with the toilet housing (fig. **9**, page 4). Otherwise the cassette tank cannot be removed.


The cassette tank has a capacity of 16 l. When the indicator  lights up, the toilet can only be used a few more times.



#### NOTE

With a 3/4-filled cassette, use is only possible when the slider is open. With a tilted position (such as lasting inclination of the vehicle), the cassette may only be 3/4 full. Overflowing through the vent is possible.

## 6.5 Draining the cassette tank

Empty the cassette tank when the indicator  lights up:

- Remove the cassette tank (chapter “Removing the cassette tank” on page 20).
- Press the release button in the middle of the handle and pull the handle out to its end position (fig. **10**, page 5).



### NOTICE!

- Do not shake the cassette tank vigorously.
  - Do not hang the cassette tank on a bicycle or other vehicle for transportation.
  - Do not place heavy objects on the cassette tank during transport.
- This can damage the housing and rollers.

- Bring the tank to the nearest designated disposal location.
- Press the release button in the middle of the handle and push the handle back into the cassette.
- Set the cassette tank upright and rotate the drain pipe 90° upward (fig. **4**, page 3).



### NOTE

Avoid turning the drain pipe more than 90°, as it otherwise can come off.

- Twist off the cap (fig. **5**, page 3).
- Put the cap onto the cassette (fig. **5**, page 3).
- Hold the cassette tank by the handle with one hand (fig. **11** 1, page 5) and with the other hand on the housing (fig. **11** 3, page 5), so that you can push the vent button (fig. **11** 2, page 5) while it is draining.
- Press the vent button when the drain pipe points downwards.
- ✓ The tank drains steadily and without splashing.
- After draining, rinse out the cassette tank carefully.
- Add a sanitary additive to the cassette (chapter “Adding sanitary additive” on page 20).
- Clear away course dirt from the wheels of the cassette tank to prevent scratching of the cassette housing.

**NOTICE!**

Do not clean the inside of the cassette tank with a high-pressure cleaner. This can damage the float for the level indicator.

- ▶ Push the cassette tank into the cassette housing (chapter “Pushing the cassette tank into the cassette housing” on page 20).

## 6.6 Positioning the toilet seat

The upper part of the toilet is continuously rotatable by 180° limited at  $\pm 90^\circ$  (fig. **12**, page 6).

## 6.7 Winter operation

**NOTICE!**

Do not use antifreeze. Antifreeze may damage the cassette toilet.

You can also use the cassette toilet in the winter, as long as the toilet and cassette tank are in a frost-free area.

If this is not the case, empty the freshwater tank, the cassette tank and the water line of the freshwater supply.

This will prevent damage by frost (chapter “Taking the toilet out of service” on page 23).

## 6.8 Taking the toilet out of service

Drain the freshwater tank and the water supply system completely if you are going to take the toilet out of service for an extended period of time.

- ▶ Clean the toilet carefully (chapter “Cleaning and maintenance” on page 24).
- ▶ Operate the flush button until no more water is in the pipes.
- ▶ Interrupt the power supply to the toilet.
- ▶ Then drain the cassette tank and rinse it out carefully. Clean the cassette. To allow the cassette tank to dry, do not close the drain pipe.
- ▶ Clean and grease all seals and moving parts of the toilet and the cassette tank (chapter “Cleaning and maintenance” on page 24) and repeat this operation before putting the toilet back into service.

## 7 Cleaning and maintenance



### CAUTION!

Cleaning agents for the toilet may not contain chlorine or alcohol!



### NOTICE!

- To prevent material changes, do not use hard, abrasive or soda-based cleaning agents (scouring agents).
- Do not use polish for cleaning.



### NOTE

For regular cleaning of the toilet bowl, use a mild colourless cleaning agent.

- Clean the toilet regularly inside and out with a soft cloth and lukewarm water with a mild cleaning agent.
- Then wash the surfaces with clear water.
- Clean and grease all seals on the toilet and cassette tank regularly. In case of frequent use, perform these actions monthly or after 3 – 5 drainings of the cassette. Use grease or silicone-based spray.

The manufacturer recommends:

- Grease: OKS<sup>®</sup> 1110
- Silicone spray: OKS<sup>®</sup> 1111

### 7.1 Cleaning the flushing nozzle

- Pull the cover away from the flushing nozzle (fig. **13**, page 6).
- Remove any dirt or debris with a cloth or soft brush.
- Put the cap onto the flushing nozzle (fig. **14**, page 6).

### 7.2 Greasing the slider



### CAUTION!

When the slider is closed during cleaning or greasing, there is a risk of crushing body parts (fig. **15**, page 6).

The slide moves smoothly when it is regularly lubricated.



### Greasing the slider rods

- Spray the rods of the slider with silicone spray (fig. **16**, page 7).

### Greasing the slider seal

- Grease the two seals in the lower section of the toilet bowl (fig. **17**, page 7).

## 7.3 Greasing the cassette seal



### CAUTION!

When the slider is closed during cleaning or greasing, there is a risk of crushing body parts.

- Remove the cassette tank and place it on a firm surface.
- Pull back the cover (fig. **18** 1, page 7) so that the seal is accessible.
- Evenly grease the cassette seal (fig. **18** 2, page 7) at the top with silicone-based grease. In this way the cover remains movable.
- Close the cover (fig. **19**, page 8).

## 7.4 Cleaning the bayonet fitting and greasing the bayonet seal

- Loosen the bayonet fitting on the cassette (fig. **20**, page 8). In the state upon delivery and after extended use, the bayonet fitting can be loosened only with difficulty.
- Clean the bayonet fitting (fig. **21**, page 8) completely. The fitting must be lifted slightly at the back.
- Uniformly grease the bayonet seals (fig. **22** 2, 3, page 9) with silicone grease.
- Put the bayonet fitting back in place (fig. **23**, page 9).

## 7.5 Greasing the O-ring of the cassette vent

- Take the adapter (fig. **24** 1, page 9) off the cassette.
- Grease only the attached O-ring (fig. **24** 2, page 9) with silicone grease.

## 8 Maintenance

This chapter describes maintenance that may be performed by the user. Have all other maintenance and service work performed by qualified personnel.

### 8.1 Spare parts

Spare parts can be obtained from the customer service of the respective country.

All the accessories are available from specialist dealers. If you have any questions, please contact the dealer or your service partner directly.

### 8.2 Replacing the cassette seal

- Pull back the cover so that the seal is accessible (fig. **25**, page 10).
- Remove the support ring and the seal (fig. **25**, page 10).

**NOTICE!**

The seal must be positioned uniformly in the opening so that the cassette is sealed and the slider can move easily.

- Insert the new seal (fig. **26**, page 10).
- Place the support ring in the provided groove in the cassette seal (fig. **27**, page 10).

**CAUTION! Danger of crushing!**

Do not reach into the opening when you close the cover.

- Close the cover (fig. **19**, page 8).

### 8.3 Replacing the bayonet seal

- ▶ Loosen the bayonet fitting on the cassette (fig. **20**, page 8). In the state upon delivery and after extended use, the bayonet fitting can be loosened only with difficulty.
- ▶ Insert the new seal (fig. **22** 2, page 9).
- ▶ Ensure uniform seating of the new seal (fig. **22** 2, page 9).
- ▶ Put the bayonet fitting back in place (fig. **23**, page 9).

### 8.4 Replacing the fuse in the operating unit



#### CAUTION!

- Switch off the voltage supply before you start!
- Carefully pull the control unit out of the wall opening. There is a risk of injury due to the springs springing back!

- ▶ Lift the control unit with a suitable tool and then pull it out of the bracket or wall (fig. **28**, page 11 and fig. **29**, page 11).
- ▶ Replace the fuse (automotive fuse: 10 A) on the bottom of the control unit (fig. **30**, page 11).

### 8.5 Replacing the wheels on the cassette tank

The wheels on the cassette tank can be replaced individually if required:

- ▶ Remove the old wheel as shown (fig. **31**, page 11).
- ▶ Mount the new wheel as shown (fig. **32**, page 11).
- ▶ Ensure that the wheel moves freely.

### 8.6 Removing and replacing the lid and seat



#### NOTE

The manufacturer accepts no liability for damage resulting from incorrect or faulty installation.

Proceed as follows (fig. **33**, page 12):

- ▶ Loosen the spacer (**2**) by prying it out of its position with a screwdriver.
- ▶ Use a screwdriver to carefully pry the lid (**1**) out of its mounting and remove it.

- If necessary, remove the components of the Autoclose with the markings "CW" and "CCW".
- Lift the lid.
- Use both hands to grasp the lid above the hinges (3) and bend it slightly toward the bowl to detach it.
- Lift the seat.
- Use both hands to grasp the seat above the hinges (3) and bend it slightly toward the bowl to detach it.

## 8.7 Installing/replacing the Autoclose

The Autoclose is integrated in Saneo Comfort models. With Saneo Basic models, this function can be retrofitted.



### NOTE

The manufacturer accepts no liability for damage resulting from incorrect or faulty installation.

- Use a screwdriver to carefully pry the lid (fig. 33 1, page 12) out of its mounting and remove it.
- Lift the lid and seat.
- If necessary, remove the components of the Autoclose with the markings "CW" and "CCW".
- Insert the new parts of the Autoclose (fig. 34, page 13).
- Lower the lid by tapping it.
- ✓ The seat and lid lower slowly.
- Place the lid (fig. 33 1, page 12) into the mounting.

## 9 What to do in case of problems

Dometic offers a Europe-wide service network. Authorized customer service centres are available on the Internet on the website **dometic.com**.

When contacting customer service, please make a note of the following information on the type plate:

- Model Designation
- Product Number
- Serial No.
- MLC



### NOTE

You can find the type plate in the cassette housing after removal of the cassette.

Fault	Possible cause	Remedy
Toilet no longer flushes.	Faulty fuse. Cassette not inserted. Cassette full. No power supply. Electronics defective. Pump defective. Solenoid valve defective. Screen before solenoid valve is dirty.	Replace the fuse (see chapter "Replacing the fuse in the operating unit" on page 27). If there are repeated failures, check the electrical connections! Replace defective parts.
Cassette tank leaks.	Seal worn.	Replace the cassette seal (see chapter "Replacing the cassette seal" on page 26).
No level indication.	The float in the cassette tank is hung up or jammed by toilet paper.	Clean the float in the cassette. <b>Do not use a high-pressure cleaner!</b>
Cassette tank cannot be pushed in completely. Slider handle can be opened even though cassette has been removed.	Lower slider flange has released.	Push slider flange into correct position (fig. 35, page 13).
Cassette cannot be removed.	Slider handle is open.	Close slider handle.

Fault	Possible cause	Remedy
Cassette does not latch into cassette housing.	Cassette latch is defective.	Replace cassette latch.
The cassette can be removed even though the slider handle is open.	Latch recess on cassette is defective.	Replace bayonet latching mechanism on cassette.
Slider handle cannot be opened.	Cassette is not inserted.	Insert cassette.

## 10 Warranty

The statutory warranty period applies. If the product is defective, please contact your retailer or the manufacturer's branch in your country (see the back of the instruction manual for the addresses).

For repair and guarantee processing, please include the following documents when you send in the device:

- A copy of the receipt with purchasing date
- A reason for the claim or description of the fault




## 11 Disposal

- Place the packaging material in the appropriate recycling waste bins wherever possible.



If you wish to finally dispose of the product, ask your local recycling centre or specialist dealer for details about how to do this in accordance with the applicable disposal regulations.

## 12 Technical data

	Dometic Saneo
Input voltage:	12 V $\overline{=}$
Current consumption:	max. 2 A with internal pump max. 10 A with external pump
Max. person weight:	150 kg
Dimensions:	see specifications in the installation manual
Operating temperature:	0 °C to +50 °C
Capacity:	16 l (cassette tank) 7 l (freshwater tank, optional)
Test mark:	   ECE R10



### NOTE

Water supply (vehicle-side pump):

The toilet requires a minimum of 7 l/min provided by the vehicle at the outlet of the hose connection of the toilet in order to ensure satisfactory flushing output of 5 l/min.

For the current EU declaration of conformity for your device please refer to the respective product page on [dometic.com](http://dometic.com) or contact the manufacturer directly (see back page).

**Bitte lesen Sie diese Anleitung vor der Inbetriebnahme sorgfältig durch und bewahren Sie sie auf. Geben Sie sie im Falle einer Weitergabe des Produktes an den Nutzer weiter.**

## Inhaltsverzeichnis

<b>1</b>	<b>Erklärung der Symbole</b> .....	33
<b>2</b>	<b>Sicherheitshinweise</b> .....	33
	2.1 Grundlegende Sicherheit .....	34
	2.2 Verwendung von Sanitärzusätzen .....	34
<b>3</b>	<b>Zubehör</b> .....	35
<b>4</b>	<b>Bestimmungsgemäßer Gebrauch</b> .....	35
<b>5</b>	<b>Technische Beschreibung</b> .....	35
	5.1 Beschreibung der Komponenten .....	36
	5.2 Bedien- und Anzeigeelemente .....	37
<b>6</b>	<b>Toilette benutzen</b> .....	37
	6.1 Sanitärzusätze .....	37
	6.2 Kassettentank vorbereiten .....	38
	6.3 Frischwassertank füllen .....	39
	6.4 Toilette benutzen .....	39
	6.5 Kassettentank entleeren .....	40
	6.6 Toilettensitz positionieren .....	41
	6.7 Winterbetrieb .....	42
	6.8 Außerbetriebnahme .....	42
<b>7</b>	<b>Reinigung und Pflege</b> .....	43
	7.1 Spüldüse reinigen .....	43
	7.2 Schieber fetten .....	44
	7.3 Kassettendichtung fetten .....	44
	7.4 Bajonettverschluss reinigen und Bajonettichtung fetten .....	44
	7.5 O-Ring der Kassettenbelüftung fetten .....	45
<b>8</b>	<b>Wartung</b> .....	45
	8.1 Ersatzteile .....	45
	8.2 Kassettendichtung ersetzen .....	45
	8.3 Bajonettichtung ersetzen .....	46
	8.4 Sicherung in der Bedieneinheit tauschen .....	46



8.5	Räder am Kassetten Tank tauschen . . . . .	46
8.6	Deckel und Brille abmontieren/tauschen . . . . .	47
8.7	Absenkautomatik einbauen/ersetzen . . . . .	47
<b>9</b>	<b>Verhalten bei Störungen</b> . . . . .	<b>48</b>
<b>10</b>	<b>Gewährleistung</b> . . . . .	<b>49</b>
<b>11</b>	<b>Entsorgung</b> . . . . .	<b>49</b>
<b>12</b>	<b>Technische Daten</b> . . . . .	<b>50</b>

## 1 Erklärung der Symbole



### **WARNUNG!**

**Sicherheitshinweis:** Nichtbeachtung kann zu Tod oder schwerer Verletzung führen.



### **VORSICHT!**

**Sicherheitshinweis:** Nichtbeachtung kann zu Verletzungen führen.



### **ACHTUNG!**

Nichtbeachtung kann zu Materialschäden führen und die Funktion des Produktes beeinträchtigen.



### **HINWEIS**

Ergänzende Informationen zur Bedienung des Produktes.

## 2 Sicherheitshinweise

Der Hersteller übernimmt in folgenden Fällen keine Haftung für Schäden:

- Beschädigungen am Produkt durch mechanische Einflüsse und Über-  
spannungen
- Veränderungen am Produkt ohne ausdrückliche Genehmigung vom Hersteller
- Verwendung für andere als die in der Anleitung beschriebenen Zwecke

Die Konformitätserklärung kann beim Hersteller angefordert werden (Kontakt-  
informationen auf der Rückseite).

## 2.1 Grundlegende Sicherheit



### WARNUNG!

- Dieses Gerät kann von Kindern ab 8 Jahren und darüber sowie von Personen mit verringerten physischen, sensorischen oder mentalen Fähigkeiten oder Mangel an Erfahrung und Wissen benutzt werden, wenn sie beaufsichtigt oder bezüglich des sicheren Gebrauchs des Gerätes unterwiesen wurden und die daraus resultierenden Gefahren verstehen.
- Reinigung und Benutzer-Wartung dürfen nicht von Kindern ohne Beaufsichtigung durchgeführt werden.
- Kinder sollten beaufsichtigt werden, um sicherzustellen, dass sie nicht mit dem Gerät spielen.



### ACHTUNG!

- Schütteln Sie den Kassettentank nicht stark.
- Hängen Sie den Kassettentank zum Transport nicht an ein Fahrrad oder ein anderes Fahrzeug.
- Verwenden Sie keine Frostschutzmittel. Diese Mittel können die Kassettentoilette beschädigen.
- Die Toilette ist für ein Personengewicht von max. 150 kg ausgelegt.

## 2.2 Verwendung von Sanitärzusätzen



### VORSICHT!

- Lagern Sie Sanitärzusätze so, dass Kinder keinen Zugriff darauf haben.



### ACHTUNG!

- Beachten Sie vor Verwendung von sanitären Mitteln bei Nutzung und Reinigung der Toilette die Gebrauchshinweise auf der Verpackung.



### HINWEIS

- Herkömmliches Toilettenpapier kann die Toilette verstopfen. Verwenden Sie ein spezielles, schnell lösliches Toilettenpapier. Der Hersteller empfiehlt Dometic COMFORT CARE.

## 3 Zubehör

Als Zubehör erhältlich (nicht im Lieferumfang enthalten):

### Beschreibung

Absenkautomatik („Autoclose“-Funktion)  
(bei Saneo C im Lieferumfang enthalten)

Touch-Switch-Bedienteil

Tact-Switch-Bedienteil

Auf der Dometic-Webseite (siehe Rückseite) finden Sie Informationen über Sanitärzubehör.

## 4 Bestimmungsgemäßer Gebrauch

Die Toilette ist für den Einbau und die Verwendung in Freizeitfahrzeugen wie Wohnwagen oder Reisemobilen vorgesehen.

## 5 Technische Beschreibung

Die Kassettentoilette Saneo besteht aus einer im Fahrzeug fest installierten Toilette und einer herausnehmbaren, fahrbaren Kassette als Abwassertank. Die Kassette ist von außen durch eine Tür zugänglich. Je nach Modell erhält die Toilette das Spülwasser aus einem im Gehäuse integrierten Tank oder aus dem fahrzeugseitigen Frischwassertank.

Es gibt folgende Modellausführungen der Toilette:






- **Saneo B, Saneo C:** freistehend, ohne Wassertank, ohne Konsole
- **Saneo BS, Saneo CS:** freistehend, ohne Wassertank, mit Konsole
- **Saneo BW, Saneo CW:** freistehend, mit Wassertank in der Konsole
- **Saneo BLP, Saneo CLP:** freistehend, ohne Wassertank, niedrige Konsole

Saneo C-Modelle können mit einer Intervallspülung ausgestattet sein (optional). Dabei wird Wasser in kurzen Schüben in die Toilettenschüssel gepumpt, um eine verbesserte Spülbenetzung und Reinigung zu erzielen. Die Benetzung und Reinigung sind von der zur Verfügung gestellten Wassermenge im Fahrzeug abhängig.

## 5.1 Beschreibung der Komponenten

Pos. in Abb. <b>1</b> , Seite 2	Bezeichnung
1	Gehäuse für Kassettentank
2	Entleerungsschieber für die Toilettenschüssel
3	<b>Saneo B-Modelle:</b> Toilettenschüssel aus Kunststoff <b>Saneo C-Modelle:</b> Toilettenschüssel aus Keramik
4	Sitz (Deckel/Brille): <b>Saneo B-Modelle:</b> ohne Absenkautomatik („Autoclose“-Nachrüst- kit optional) <b>nur Saneo C-Modelle:</b> mit Absenkautomatik („Autoclose“)
5	Konsole
6	Bedienfeld mit Füllstandsanzeige und Spülung
7	<b>Nur Saneo BW/CW:</b> Integrierter Frischwassertank
8	<b>Nur Saneo BW/CW:</b> Tankklappe
9	Ausgussrohr
10	Schieber auf der Kassette
11	Entlüftungsknopf für Entleerung
12	Kassettentank
13	Herausziehbarer Handgriff
14	Servicetür

## 5.2 Bedien- und Anzeigeelemente

Position in Abb. 2, Seite 2	Bezeichnung
1	 Taste „Spülen“
2	 Anzeige „Kassettentank entnommen“
3	 Anzeige „Frischwassertank auffüllen“ (bei Verwendung des bordeigenen Tanks nicht angeschlossen)
4	 Anzeige „Kassettentank 3/4 voll“
5	 Anzeige „Kassettentank voll“

## 6 Toilette benutzen



### HINWEIS

- Bevor Sie die Toilette in Betrieb nehmen, sollten Sie sie innen und außen mit einem weichen Tuch und lauwarmem Wasser mit einem milden Reinigungsmittel reinigen (siehe auch Kapitel „Reinigung und Pflege“ auf Seite 43).
- Reinigen und fetten Sie die Dichtungen Ihrer Toilette regelmäßig (siehe Kapitel „Reinigung und Pflege“ auf Seite 43).

### 6.1 Sanitärzusätze

Sanitärzusätze für den Abwassertank zersetzen Fäkalien und verhindern unangenehme Gerüche.

Der Hersteller empfiehlt:

- Dometic POWER CARE TABS
- Dometic GREEN CARE TABS

Bei der Verwendung von sanitären Zusätzen beachten Sie bitte die Gebrauchshinweise auf der Verpackung.

**HINWEIS**

Herkömmliches Toilettenpapier kann die Toilette verstopfen. Verwenden Sie ein spezielles, schnell lösliches Toilettenpapier. Der Hersteller empfiehlt Dometic COMFORT CARE.

Auf der Dometic-Webseite (siehe Rückseite) finden Sie weitere Informationen über Sanitärzubehör.

## 6.2 Kassettentank vorbereiten

### Kassettentank entnehmen

Gehen Sie wie folgt vor (Abb. **3**, Seite 2):

- Öffnen Sie die Servicetür.
- Drücken Sie die Sicherung nach oben, um den Kassettentank zu entriegeln.
- Ziehen Sie den Kassettentank aus dem Kassettengehäuse heraus. Beim Herausziehen muss ein Widerstand überwunden werden.

**HINWEIS**

Bei entnommener Kassette ist der Schiebergriff am Toilettegehäuse verriegelt. Die Kassette lässt sich nur bei geschlossenem Schieber einsetzen. Ziehen Sie nicht am Schiebergriff, wenn die Kassette entnommen wurde.

### Sanitärzusatz hinzufügen

- Stellen Sie den Kassettentank aufrecht hin.
- Drehen Sie das Ausgussrohr um ca. 90° nach oben (Abb. **4**, Seite 3).

**HINWEIS**

Vermeiden Sie es, das Ausgussrohr weiter als 90° zu drehen, da es sich sonst lösen kann (Abb. **4**, Seite 3).

- Drehen Sie die Verschlusskappe ab (Abb. **5**, Seite 3).
- Stecken Sie die Verschlusskappe auf die Kassette (Abb. **5**, Seite 3).
- Geben Sie über das Ausgussrohr einen Sanitärzusatz in den Kassettentank (Abb. **6**, Seite 3). Beachten Sie die Gebrauchsanweisung des Sanitärzusatzes.

## Kassetten tank in das Kassettengehäuse schieben



### ACHTUNG!

Achten Sie darauf, dass sich der Kassetten tank leicht in das Kassettengehäuse einschieben lässt. Stellen Sie sicher, dass der Kassetten tank nicht gegen andere Gegenstände oder Bauteile stößt.

- Schieben den Kassetten tank bis zum Anschlag in das Kassettengehäuse.
- ✓ Die Verriegelung des Kassetten tanks schließt beim Einschieben automatisch.
- Prüfen Sie den festen Sitz des Kassetten tanks.
- Schließen und verriegeln Sie die Servicetür.

## 6.3 Frischwassertank füllen

- Füllen Sie den Frischwassertank über den Einfüllstutzen an der Außenseite des Fahrzeugs auf. Die Menge ist abhängig vom verwendeten Tank (integrierter Tank bei den Modellen Saneo BW und Saneo CW = 7 Liter).

## 6.4 Toilette benutzen

Der Toilettensitz ist in der geöffneten 90°-Position gegen Herunterfallen gesichert. Bei Modellen mit Absenkautomatik („Autoclose“) senkt sich der Sitz langsam ab, wenn Sie ihn anstoßen (Abb. **7**, Seite 4).




### HINWEIS

Der Schieber muss während der Fahrt geschlossen sein und es darf sich keine Flüssigkeit oberhalb des Schiebers befinden.

- Betätigen Sie vor der Nutzung die Spültaste **1**, um die Oberfläche der Schüssel mit Wasser zu benetzen. Ein Spülvorgang ist auf 20 Sekunden begrenzt, unabhängig von der Dauer der Betätigung. Das Schalten des Relais kann hörbar sein.
- Ziehen Sie den Schieber (Abb. **8**, Seite 4) nach vorne. Lassen Sie den Schieber während der Nutzung geöffnet.
- Betätigen Sie nach der Nutzung zum Spülen der Schüssel die Spültaste **1** erneut.
- Schließen Sie den Schieber (Abb. **9**, Seite 4).

Ein leichter Widerstand beim Schließen des Schiebers ist spürbar ab einem Abstand von ca. 10 mm zum Gehäuse. Der Schieber ist geschlossen, wenn der Schiebergriff mit dem Toilettengehäuse abschließt (Abb. **9**, Seite 4). Ansonsten kann der Kassetten tank nicht entnommen werden.

Der Kassetten tank hat eine Kapazität von 16 l. Wenn die Anzeige  aufleuchtet, sind nur noch wenige Nutzungen möglich.



### HINWEIS

Bei 3/4 gefüllter Kassette ist die Verwendung nur noch mit offenem Schieber möglich. In Schräglage (z. B. dauernde Neigung des Fahrzeugs) darf die Kassette nur 3/4 gefüllt sein. Ein Überlaufen durch die Entlüftung ist möglich.

## 6.5 Kassetten tank entleeren

Entleeren Sie den Kassetten tank, wenn die Anzeige  leuchtet.

- Entnehmen Sie den Kassetten tank (Kapitel „Kassetten tank entnehmen“ auf Seite 38).
- Drücken Sie die Entriegelungstaste in der Mitte des Handgriffs und ziehen Sie den Handgriff bis zum Anschlag heraus (Abb. **10**, Seite 5).



### ACHTUNG!

- Schütteln Sie den Kassetten tank nicht stark.
- Hängen Sie den Kassetten tank zum Transport nicht an ein Fahrrad oder ein anderes Fahrzeug.
- Legen Sie keine schweren Gegenstände auf den Kassetten tank während des Transports.

Das Gehäuse und die Rollen werden dadurch beschädigt.

- Bringen Sie den Tank zu der nächsten ausgewiesenen Entsorgungsstelle.
- Drücken Sie die Entriegelungstaste des Handgriffs und schieben Sie den Handgriff zurück in die Kassette.
- Stellen Sie den Kassetten tank aufrecht hin und drehen Sie das Ausgussrohr 90° nach oben (Abb. **4**, Seite 3).



### HINWEIS

Vermeiden Sie es, das Ausgussrohr weiter als 90° zu drehen, da er sich sonst lösen kann.

- Drehen Sie die Verschlusskappe ab (Abb. **5**, Seite 3).



- Stecken Sie die Verschlusskappe auf die Kassette (Abb. **5**, Seite 3).
- Halten Sie den Kassettentank mit der einen Hand am Handgriff (Abb. **11** 1, Seite 5) und mit der anderen Hand am Gehäuse (Abb. **11** 3, Seite 5), so dass Sie den Entlüftungsknopf (Abb. **11** 2, Seite 5) während des Entleerens drücken können.
- Drücken Sie den Entlüftungsknopf, wenn das Ausgussrohr nach unten zeigt.
- ✓ Der Tank entleert sich gleichmäßig und ohne Spritzen.
- Spülen Sie den Kassettentank nach der Entleerung mit Wasser sorgfältig aus.
- Fügen Sie der Kassette einen Sanitärzusatz hinzu (Kapitel „Sanitärzusatz hinzufügen“ auf Seite 38).
- Reinigen Sie die Räder des Kassettentanks von grobem Schmutz zur Vermeidung von Kratzern im Kassettengehäuse.

**ACHTUNG!**

Reinigen Sie den Kassettentank innen nicht mit einem Hochdruckreiniger. Der Schwimmer für die Füllstandsanzeige kann dadurch Schaden nehmen.

- Schieben Sie den Kassettentank in das Kassettengehäuse (Kapitel „Kassettentank in das Kassettengehäuse schieben“ auf Seite 39).

## 6.6 Toilettensitz positionieren

Das Oberteil der Toilette ist stufenlos um 180° drehbar begrenzt bei  $\pm 90^\circ$  (Abb. **12**, Seite 6).

## 6.7 Winterbetrieb



### **ACHTUNG!**

Verwenden Sie keine Frostschutzmittel. Frostschutzmittel können die Kassettentoilette beschädigen.

Sie können die Kassettentoilette auch im Winter nutzen, solange sich Toilette und Kassettentank in einem frostfreien Bereich befinden.

Wenn dies nicht der Fall ist, entleeren Sie den Frischwassertank, den Kassettentank und die Wasserleitung der Frischwasserzufuhr.

Dadurch werden Schäden durch Frost vermieden (Kapitel „Außerbetriebnahme“ auf Seite 42).

## 6.8 Außerbetriebnahme

Entleeren Sie den Frischwassertank und das Wasserleitungssystem vollständig, wenn Sie die Toilette für längere Zeit außer Betrieb nehmen.

- ▶ Reinigen Sie die Toilette sorgfältig (Kapitel „Reinigung und Pflege“ auf Seite 43).
- ▶ Betätigen Sie den Spülknopf bis sich kein Wasser mehr in den Leitungen befindet.
- ▶ Unterbrechen Sie die Stromversorgung zur Toilette.
- ▶ Entleeren Sie anschließend den Kassettentank und spülen Sie ihn sorgfältig aus. Reinigen Sie die Kassette. Verschließen Sie das Ausgussrohr nicht, um den Kassettentank trocknen zu lassen.
- ▶ Reinigen und fetten Sie alle Dichtungen und beweglichen Teile der Toilette und des Kassettentanks (Kapitel „Reinigung und Pflege“ auf Seite 43) und wiederholen Sie diese Maßnahme vor der Wiederinbetriebnahme.

## 7 Reinigung und Pflege



### VORSICHT!

Reinigungsmittel für die Toilette dürfen weder Chlor noch Alkohol enthalten!



### ACHTUNG!

- Um Materialveränderungen zu vermeiden, verwenden Sie keine scharfen, körnigen bzw. sodahaltigen Reinigungsmittel (keine Scheuermittel).
- Verwenden Sie keine Politur zur Reinigung.



### HINWEIS

Benutzen Sie für die regelmäßige Reinigung der Toilettenschüssel ein mildes und farbloses Reinigungsmittel.

- Reinigen Sie die Toilette regelmäßig innen und außen mit einem weichen Tuch und lauwarmen Wasser mit einem milden Reinigungsmittel.
- Waschen Sie anschließend die Oberflächen mit klarem Wasser ab.
- Säubern und fetten Sie regelmäßig alle Dichtungen an der Toilette und dem Kassettentank. Führen Sie diese Aktionen bei häufiger Nutzung monatlich oder nach 3 – 5 Entleerungen der Kassette durch. Verwenden Sie Fett oder Spray auf Silikonbasis.

Der Hersteller empfiehlt:

- Fett: OKS® 1110
- Silikonspray: OKS® 1111

### 7.1 Spüldüse reinigen

- Ziehen Sie die Abdeckung von der Spüldüse ab (Abb. **13**, Seite 6).
- Entfernen Sie Schmutz oder Ablagerungen mit einem Tuch oder einer weichen Bürste.
- Stecken Sie die Abdeckung auf die Spüldüse auf (Abb. **14**, Seite 6).

## 7.2 Schieber fetten



### VORSICHT!

Es besteht Quetschgefahr, wenn der Schieber beim Reinigen oder Fetten geschlossen wird (Abb. **15**, Seite 6).

Der Schieber lässt sich leicht bewegen, wenn er regelmäßig gefettet wird.

### Schieberstangen fetten

- Sprühen Sie die Stangen des Schiebers mit Silikonspray ein (Abb. **16**, Seite 7).

### Schieberdichtung fetten

- Fetten Sie die zwei Dichtungen im unteren Bereich der Toilettenschüssel (Abb. **17**, Seite 7).

## 7.3 Kassettendichtung fetten



### VORSICHT!

Es besteht Quetschgefahr, wenn der Schieber beim Reinigen oder Fetten geschlossen wird.

- Entnehmen Sie den Kassettentank und stellen Sie ihn auf einen festen Grund.
- Ziehen Sie die Abdeckung (Abb. **18** 1, Seite 7) zurück, sodass die Dichtung zugänglich ist.
- Fetten Sie die Kassettendichtung (Abb. **18** 2, Seite 7) im oberen Bereich mit Fett auf Silikonbasis gleichmäßig ein. Die Abdeckung bleibt dadurch beweglich.
- Schließen Sie die Abdeckung (Abb. **19**, Seite 8).

## 7.4 Bajonettverschluss reinigen und Bajonettichtung fetten

- Lösen Sie den Bajonettverschluss von der Kassette (Abb. **20**, Seite 8). Der Bajonettverschluss lässt sich im Auslieferungszustand und nach längerer Standzeit nur schwergängig lösen.
- Reinigen Sie den Bajonettverschluss (Abb. **21**, Seite 8) komplett. Der Verschluss muss im hinteren Bereich leicht angehoben werden.

- Fetten Sie die Bajonett-dichtungen (Abb. **22** 2, 3, Seite 9) gleichmäßig mit Silikonfett ein.
- Setzen Sie den Bajonettverschluss wieder ein (Abb. **23**, Seite 9).

## 7.5 O-Ring der Kassettenbelüftung fetten

- Lösen Sie den Adapter (Abb. **24** 1, Seite 9) von der Kassette.
- Fetten Sie nur den aufgesteckten O-Ring (Abb. **24** 2, Seite 9) mit Silikonfett.

# 8 Wartung

In diesem Kapitel sind Wartungsarbeiten beschrieben, die vom Benutzer ausgeführt werden dürfen. Lassen Sie alle anderen Wartungs- und Servicearbeiten von Fachpersonal ausführen.

## 8.1 Ersatzteile

Ersatzteile können vom Kundendienst des jeweiligen Landes bezogen werden.

In Deutschland erhalten Sie Ersatzteile auch über den Kundendienst:

- Telefon: +49 (0) 180 62 22 444
- Fax: +49 (0) 180 53 66 385
- E-Mail: ersatzteile@dometic.de

## 8.2 Kassettendichtung ersetzen

- Ziehen Sie die Abdeckung zurück, sodass die Dichtung zugänglich ist (Abb. **25**, Seite 10).
- Bauen Sie den Stützring und die Dichtung aus (Abb. **25**, Seite 10).



### **ACHTUNG!**

Die Dichtung muss gleichmäßig in der Öffnung anliegen, damit die Kassette dicht ist und der Schieber leicht bewegt werden kann.

- Setzen Sie die neue Dichtung ein (Abb. **26**, Seite 10).
- Setzen Sie den Stützring in die vorgesehene Nut der Kassettendichtung ein (Abb. **27**, Seite 10).



### **VORSICHT! Quetschgefahr!**

Fassen Sie nicht in die Öffnung, wenn Sie die Abdeckung schließen.

- Schließen Sie die Abdeckung (Abb. **19**, Seite 8).

## **8.3 Bajonettichtung ersetzen**

- Lösen Sie den Bajonettverschluss von der Kassette (Abb. **20**, Seite 8). Der Bajonettverschluss lässt sich im Auslieferungszustand und nach längerer Standzeit nur schwergängig lösen.
- Setzen Sie die neue Dichtung (Abb. **22** 2, Seite 9) ein.
- Achten Sie auf gleichmäßigen Sitz der neuen Dichtung (Abb. **22** 2, Seite 9).
- Setzen Sie den Bajonettverschluss wieder ein (Abb. **23**, Seite 9).

## **8.4 Sicherung in der Bedieneinheit tauschen**



### **VORSICHT!**

- Vor Beginn Spannungsversorgung ausschalten!
- Ziehen Sie die Bedieneinheit vorsichtig aus der Wandöffnung. Es besteht Verletzungsgefahr durch zurückspringende Federn!

- Heben Sie die Bedieneinheit mit einem geeigneten Werkzeug an und ziehen Sie sie anschließend aus der Konsole bzw. Wand (Abb. **28**, Seite 11 und Abb. **29**, Seite 11).
- Wechseln Sie die Sicherung (Automobilsicherung: 10 A) auf der Unterseite der Bedieneinheit (Abb. **30**, Seite 11).

## **8.5 Räder am Kassettentank tauschen**

Die Räder am Kassettentank können bei Bedarf einzeln ausgetauscht werden:

- Lösen Sie das alte Rad wie dargestellt (Abb. **31**, Seite 11).
- Montieren Sie das neue Rad wie dargestellt (Abb. **32**, Seite 11).
- Prüfen Sie das Rad auf freien Lauf.

## 8.6 Deckel und Brille abmontieren/tauschen



### HINWEIS

Der Hersteller übernimmt keine Haftung für Schäden, die durch eine falsche oder fehlerhafte Montage entstehen.

Gehen Sie wie folgt vor (Abb. **33**, Seite 12):

- Lösen Sie die Abstandshalter (**2**), indem Sie sie mit einem Schlitzschraubendreher aus ihrer Position hebeln.
- Hebeln Sie die Abdeckung (**1**) vorsichtig mit einem Schlitzschraubendreher aus ihrer Befestigung und entfernen Sie sie.
- Entfernen Sie gegebenenfalls die Bauteile der Absenkautomatik mit den Markierungen „CW“ und „CCW“.
- Öffnen Sie den Deckel.
- Greifen Sie den Deckel oberhalb der Scharniere (**3**) mit beiden Händen und biegen Sie ihn leicht in Richtung der Schüssel durch, um ihn zu lösen.
- Öffnen Sie die Brille.
- Greifen Sie die Brille oberhalb der Scharniere (**3**) mit beiden Händen und biegen Sie sie leicht in Richtung der Schüssel durch, um sie zu lösen.

## 8.7 Absenkautomatik einbauen/ersetzen

Die Absenkautomatik ist bei Saneo Comfort-Modellen integriert. Bei Saneo Basic-Modellen kann diese Funktion nachgerüstet werden.



### HINWEIS

Der Hersteller übernimmt keine Haftung für Schäden, die durch eine falsche oder fehlerhafte Montage entstehen.

- Hebeln Sie die Abdeckung (Abb. **33** 1, Seite 12) vorsichtig mit einem Schlitzschraubendreher aus ihrer Befestigung und entfernen Sie sie.
- Öffnen Sie Deckel und Brille.
- Entfernen Sie gegebenenfalls die Bauteile der Absenkautomatik mit den Markierungen „CW“ und „CCW“.
- Setzen Sie die neuen Bauteile der Absenkautomatik ein (Abb. **34**, Seite 13).
- Schließen Sie den Deckel durch Antippen.

- ✓ Brille und Deckel senken sich langsam ab.
- Setzen Sie die Abdeckung (Abb. **33** 1, Seite 12) in die Befestigung ein.

## 9 Verhalten bei Störungen

Dometic bietet ein europaweites Kundendienstnetz an. Autorisierte Kundendienststellen erfahren Sie im Internet auf der Webseite **dometic.com**.

Notieren Sie für den Kontakt mit dem Kundendienst bitte folgende Daten des Typenschildes:

- Modell (Model Designation)
- Produktnummer (Product Number)
- Seriennummer (Serial No.)
- MLC-Code (MLC)



### HINWEIS

Sie finden das Typenschild im Kassettengehäuse nach Entnahme der Kassette.

Störung	Mögliche Ursache	Abhilfe
Spülung läuft nicht mehr.	Sicherung defekt. Kassette nicht eingeschoben. Kassette voll. Stromversorgung nicht vorhanden. Elektronik defekt. Pumpe defekt. Magnetventil defekt. Sieb vom Magnetventil ist verschmutzt.	Sicherung erneuern (siehe Kapitel „Sicherung in der Bedieneinheit tauschen“ auf Seite 46). Bei wiederholtem Aussetzen elektrische Anschlüsse und Verbindungen prüfen! Defekte Teile ersetzen.
Kassettentank undicht.	Dichtung verschlissen.	Kassettendichtung ersetzen (siehe Kapitel „Kassettendichtung ersetzen“ auf Seite 45).
Keine Füllstandsanzeige.	Schwimmer im Kassettentank hat sich verhakt oder ist durch Toilettenpapier festgesetzt.	Schwimmer in der Kassette reinigen. <b>Keinen Hochdruck-reiniger verwenden!</b>



Störung	Mögliche Ursache	Abhilfe
Kassettentank lässt sich nicht vollständig einschieben. Schiebergriff lässt sich öffnen, obwohl die Kassette entnommen wurde.	Unterer Schieberflansch hat sich gelöst.	Schieberflansch in korrekte Position drücken (Abb. 35, Seite 13).
Kassette lässt sich nicht entnehmen.	Schiebergriff ist geöffnet.	Schiebergriff schließen.
Kassette rastet nicht im Kassettengehäuse ein.	Kassettenverriegelung ist defekt.	Kassettenverriegelung tauschen.
Kassette lässt sich entnehmen, obwohl der Schiebergriff offen ist.	Verriegelungstasche an der Kassette ist defekt.	Bajonettverschlussseinheit auf der Kassette tauschen.
Schiebergriff lässt sich nicht öffnen.	Kassette ist nicht eingeschoben.	Kassette einschieben.

## 10 Gewährleistung

Es gilt die gesetzliche Gewährleistungsfrist. Sollte das Produkt defekt sein, wenden Sie sich bitte an Ihren Fachhändler oder an die Niederlassung des Herstellers in Ihrem Land (Adressen siehe Rückseite der Anleitung).

Zur Reparatur- bzw. Gewährleistungsbearbeitung müssen Sie folgende Unterlagen mitschicken:

- eine Kopie der Rechnung mit Kaufdatum,
- einen Reklamationsgrund oder eine Fehlerbeschreibung.




## 11 Entsorgung

- ▶ Geben Sie das Verpackungsmaterial möglichst in den entsprechenden Recycling-Müll.



Wenn Sie das Produkt endgültig außer Betrieb nehmen, informieren Sie sich bitte beim nächsten Recyclingcenter oder bei Ihrem Fachhändler über die zutreffenden Entsorgungsvorschriften.

## 12 Technische Daten

	<b>Dometic Saneo</b>
Versorgungsspannung:	12 V $\overline{=}$
Stromaufnahme:	max. 2 A bei interner Pumpe max. 10 A bei externer Pumpe
Max. Personengewicht:	150 kg
Abmessungen:	siehe Angaben in der Montageanleitung
Betriebstemperatur:	0 °C bis +50 °C
Fassungsvermögen:	16 l (Kassettentank) 7 l (Frischwassertank, optional)
Prüfzeichen:	   ECE R10



### HINWEIS

Wasserversorgung (fahrzeugseitige Pumpe):  
Die Toilette benötigt fahrzeugseitig min. 7 l/min am Ausgang des Schlauchanschlusses der Toilette, um eine ausreichende Spülleistung mit min. 5 l/min zu gewährleisten

Die aktuelle EU-Konformitätserklärung für Ihr Gerät erhalten Sie auf der jeweiligen Produktseite auf [dometic.com](http://dometic.com) oder direkt über den Hersteller (siehe Rückseite).

**Veillez lire ce manuel attentivement avant de mettre l'appareil en service et conservez-le. En cas de passer le produit, veuillez le transmettre au nouvel acquéreur.**

## Table des matières

<b>1</b>	<b>Explication des symboles</b> .....	52
<b>2</b>	<b>Consignes de sécurité</b> .....	52
2.1	Consignes générales de sécurité .....	53
2.2	Utilisation d'additifs sanitaires .....	53
<b>3</b>	<b>Accessoires</b> .....	54
<b>4</b>	<b>Usage conforme</b> .....	54
<b>5</b>	<b>Description technique</b> .....	54
5.1	Description des composants .....	55
5.2	Éléments de commande et d'affichage .....	56
<b>6</b>	<b>Utilisation des toilettes</b> .....	56
6.1	Produits sanitaires .....	56
6.2	Préparation du réservoir à cassette .....	57
6.3	Remplissage du réservoir d'eau douce .....	58
6.4	Utilisation des toilettes .....	58
6.5	Vidange du réservoir à cassette .....	59
6.6	Positionnement du siège des toilettes .....	60
6.7	Fonctionnement d'hiver .....	61
6.8	Mise hors service .....	61
<b>7</b>	<b>Entretien et nettoyage</b> .....	62
7.1	Nettoyage de la buse de la chasse d'eau .....	62
7.2	Graissage de la glissière .....	62
7.3	Graissage du joint d'étanchéité de la cassette .....	63
7.4	Nettoyage de la fermeture à baïonnette et graissage du joint à baïonnette .....	63
7.5	Graissage du joint torique de la ventilation de la cassette .....	64
<b>8</b>	<b>Entretien</b> .....	64
8.1	Pièces de rechange .....	64
8.2	Remplacement du joint d'étanchéité de la cassette .....	64
8.3	Remplacement du joint de la fermeture à baïonnette .....	65
8.4	Remplacement du fusible dans l'unité de commande .....	65

8.5	Remplacement des roues sur le réservoir à cassette . . . . .	65
8.6	Démontage/remplacement du couvercle et de la lunette . . . . .	66
8.7	Montage/remplacement du mécanisme d'abaissement . . . . .	66
<b>9</b>	<b>Comportement en cas de panne</b> . . . . .	<b>67</b>
<b>10</b>	<b>Garantie</b> . . . . .	<b>68</b>
<b>11</b>	<b>Retraitement</b> . . . . .	<b>69</b>
<b>12</b>	<b>Caractéristiques techniques</b> . . . . .	<b>69</b>

## 1 Explication des symboles



### AVERTISSEMENT !

**Consigne de sécurité :** le non-respect de ces consignes peut entraîner la mort ou de graves blessures.



### ATTENTION !

**Consigne de sécurité :** le non-respect de ces consignes peut entraîner des blessures.



### AVIS !

Le non-respect de ces consignes peut entraîner des dommages matériels et des dysfonctionnements du produit.



### REMARQUE

Informations complémentaires sur l'utilisation du produit.

## 2 Consignes de sécurité

Le fabricant décline toute responsabilité pour des dommages dans les cas suivants :

- des influences mécaniques et des surtensions ayant endommagé le matériel
- des modifications apportées au produit sans autorisation explicite de la part du fabricant
- une utilisation différente de celle décrite dans la notice

La déclaration de conformité peut être demandée auprès du fabricant (coordonnées au dos).

## 2.1 Consignes générales de sécurité



### AVERTISSEMENT !

- Les enfants âgés de 8 ans et plus ainsi que les personnes ayant des déficiences physiques, sensorielles ou mentales ou un manque d'expérience ou de connaissances peuvent utiliser ce produit à condition d'être sous surveillance ou d'avoir reçu des instructions concernant l'utilisation de l'appareil en toute sécurité et de comprendre les dangers qui en résultent.
- Le nettoyage et la maintenance ne doivent pas être effectués par des enfants sans surveillance.
- Les enfants doivent être surveillés pour s'assurer qu'ils ne jouent pas avec l'appareil.



### AVIS !

- N'agitez pas fortement le réservoir de la cassette.
- N'accrochez pas le réservoir de la cassette à une bicyclette ou un autre véhicule pour le transport.
- N'utilisez aucun antigel. Ces produits peuvent endommager les toilettes à cassette.
- Les toilettes sont conçues pour des personnes pesant jusqu'à 150 kg.

## 2.2 Utilisation d'additifs sanitaires



### ATTENTION !

- Stockez les additifs sanitaires afin que les enfants ne puissent pas y accéder.



### AVIS !

- Suivez les instructions sur l'emballage avant d'utiliser des produits sanitaires lors de l'utilisation et du nettoyage des toilettes.



### REMARQUE

- le papier toilette classique peut boucher les toilettes. Utilisez un papier toilette spécial, rapidement soluble.  
Le fabricant recommande Dometic COMFORT CARE.

## 3 Accessoires

Disponibles en accessoires (non compris dans la livraison) :

### Description

Mécanisme d'abaissement (fonction « Autoclose »)  
(compris dans la livraison pour Saneo C)

Panneau Touch Switch

Panneau Tact Switch

Sur le site Dometic (voir au verso), vous trouverez des informations sur les accessoires sanitaires.

## 4 Usage conforme

Les toilettes sont prévues pour l'installation et l'utilisation dans les véhicules de loisirs comme les caravanes ou les camping-cars.

## 5 Description technique

Les toilettes à cassette Saneo consistent en des toilettes installée dans le véhicule et une cassette amovible, mobile, servant de réservoir d'eaux usées. La cassette est accessible depuis l'extérieur par une porte. Selon le modèle, les toilettes reçoivent l'eau de la chasse d'eau d'un réservoir intégré dans le bâti ou du réservoir d'eau douce du véhicule.

Les modèles de toilettes suivants sont disponibles :






- **Saneo B, Saneo C** : autoportants, sans réservoir d'eau, sans console
- **Saneo BS, Saneo CS** : autoportants, sans réservoir d'eau, avec console
- **Saneo BW, Saneo CW** : autoportants, avec réservoir d'eau et console
- **Saneo BLP, Saneo CLP** : autoportants, sans réservoir d'eau, console basse

Les modèles Saneo C peuvent être équipés d'un rinçage par intervalles (en option). L'eau est alors pompée par brefs à-coups dans la cuvette des toilettes pour atteindre une meilleure humidification de rinçage et de nettoyage. L'humidification et le nettoyage dépendent de la quantité d'eau disponible dans le véhicule.

## 5.1 Description des composants

Pos. dans fig. 1, page 2	Désignation
1	Bâti pour réservoir à cassette
2	Glissière de vidange de la cuvette des toilettes
3	<b>Modèles Saneo B</b> : Cuvette des toilettes en plastique <b>Modèles Saneo C</b> : Cuvette des toilettes en céramique
4	Siège (couvercle/lunette) : <b>Modèles Saneo B</b> : Sans mécanisme d'abaissement (kit de montage ultérieur Autoclose en option) <b>Uniquement modèles Saneo C</b> : Avec mécanisme d'abaissement (Autoclose)
5	Console
6	Panneau de commande avec indicateur de niveau et rinçage
7	<b>Seulement Saneo BW/CW</b> : Réservoir d'eau douce intégré
8	<b>Seulement Saneo BW/CW</b> : Clapet du réservoir
9	Tuyau d'évacuation
10	Glissière sur la cassette
11	Bouton de ventilation pour la vidange
12	Réservoir à cassette
13	Poignée amovible
14	Porte de service

## 5.2 Éléments de commande et d'affichage

Position dans fig. 2, page 2	Désignation
1	 Touche « Rinçage »
2	 Affichage « Réservoir à cassette retiré »
3	 Affichage « Remplir le réservoir d'eau douce » (n'est pas nécessairement raccordé en cas d'utilisation du réservoir du bateau)
4	 Affichage « Réservoir à cassette plein aux 3/4 »
5	 Affichage « Réservoir à cassette plein »

## 6 Utilisation des toilettes



### REMARQUE

- Avant de mettre vos toilettes en marche, nous vous recommandons de les nettoyer à l'intérieur et à l'extérieur avec un chiffon doux et de l'eau tiède mélangée à un détergent doux (voir aussi chapitre « Entretien et nettoyage », page 62).
- Nettoyez et graissez les joints de votre toilette régulièrement (voir chapitre « Entretien et nettoyage », page 62).

### 6.1 Produits sanitaires

Les produits sanitaires pour la cuve à eaux noires décomposent les matières et empêchent les odeurs désagréables.

Le fabricant recommande :

- Dometic POWER CARE TABS
- Dometic GREEN CARE TABS

Lors de l'utilisation d'additifs sanitaires, veuillez respecter les instructions sur l'emballage.



**REMARQUE**

le papier toilette classique peut boucher les toilettes. Utilisez un papier toilette spécial, rapidement soluble. Le fabricant recommande Dometic COMFORT CARE.

Sur le site Dometic (voir au verso), vous trouverez plus d'informations sur les accessoires sanitaires.

## 6.2 Préparation du réservoir à cassette

### Retrait du réservoir à cassette

Procédez comme suit (fig. **3**, page 2) :

- Ouvrez la porte de service.
- Appuyez le verrouillage vers le haut pour déverrouiller le réservoir à cassette.
- Retirez le réservoir à cassette du boîtier de la cassette. Lors du retrait, il faut surmonter une résistance.

**REMARQUE**

Lorsque la cassette est retirée, la poignée de la glissière est verrouillée au niveau du bâti des toilettes. La cassette ne peut être insérée que lorsque la glissière est fermée. Ne tirez pas sur la poignée de la glissière si la cassette a été retirée.

### Ajout d'un produit sanitaire

- Mettez le réservoir à cassette en position droite.
- Tournez le tuyau d'évacuation d'env. 90° vers le haut (fig. **4**, page 3).

**REMARQUE**

Évitez de tourner le tuyau d'évacuation de plus de 90°, car il pourrait sinon se détacher (fig. **4**, page 3).

- Dévissez le capuchon (fig. **5**, page 3).
- Remettez le capuchon sur la cassette (fig. **5**, page 3).
- Ajoutez via le tuyau d'évacuation un produit sanitaire dans le réservoir à cassette (fig. **6**, page 3). Tenez compte des instructions d'utilisation du produit sanitaire.

## Insertion du réservoir à cassette dans le bâti de la cassette



### AVIS !

Veillez à ce que le réservoir à cassette s'insère facilement dans le boîtier de la cassette. Assurez-vous que le réservoir à cassette ne rencontre pas d'autres objets ou composants.

- Insérez le réservoir à cassette dans le bâti de la cassette, jusqu'à la butée.
- ✓ Le verrouillage du réservoir à cassette se ferme de lui-même lors de l'insertion.
- Contrôlez la fixation correcte du réservoir à cassette.
- Fermez et verrouillez la porte de service.

## 6.3 Remplissage du réservoir d'eau douce

- Remplissez le réservoir d'eau douce par la tubulure de remplissage à l'extérieur du véhicule. La quantité dépend du réservoir utilisé (réservoir intégré sur les modèles Saneo BW et Saneo CW = 7 litres).

## 6.4 Utilisation des toilettes

Le siège des toilettes est fixé en position ouverte à 90° et sécurisé afin qu'il ne puisse pas tomber. Sur les modèles à mécanisme d'abaissement (Autoclose), le siège s'abaisse lentement lorsque vous appuyez dessus (fig. **7**, page 4).




### REMARQUE

La glissière doit être fermée pendant que vous conduisez et il ne doit y avoir aucun liquide situé au-dessus de la glissière.

- Avant utilisation, actionnez la touche de rinçage **1** pour humidifier d'eau la surface de la cuvette. Un rinçage est limité à 20 secondes, quelle que soit la durée de l'actionnement. La commutation du relais peut être audible.
- Tirez la glissière (fig. **8**, page 4) vers l'avant. Laissez la glissière ouverte pendant l'utilisation.
- Après utilisation, actionnez de nouveau la touche de la chasse d'eau **1** pour rincer la cuvette.

- Fermez la glissière (fig. **9**, page 4).

Une légère résistance lors de la fermeture de la glissière est perceptible à une distance d'environ 10 mm par rapport au bâti. La glissière est fermée lorsque la poignée de la glissière se ferme sur le bâti des toilettes (fig. **9**, page 4). Dans le cas contraire, le réservoir à cassette ne peut pas être retiré.

Le réservoir à cassette a une capacité de 16 l. Si le voyant  s'allume, seules quelques utilisations sont encore possibles.



### REMARQUE

Lorsque la cassette est remplie aux 3/4, l'utilisation n'est plus possible qu'avec une glissière ouverte. En position inclinée (p. ex. inclinaison permanente du véhicule), la cassette peut être remplie seulement aux 3/4. Un débordement par l'événement est possible.

## 6.5 Vidange du réservoir à cassette

Vider le réservoir à cassette lorsque le voyant  est allumé.

- Retirez le réservoir à cassette (chapitre « Retrait du réservoir à cassette », page 57).
- Appuyez sur le bouton de déverrouillage au centre de la poignée et tirez la poignée jusqu'à la butée (fig. **10**, page 5).



### AVIS !

- N'agitez pas fortement le réservoir de la cassette.
  - N'accrochez pas le réservoir de la cassette à une bicyclette ou un autre véhicule pour le transport.
  - Ne placez pas d'objets lourds sur le réservoir de la cassette pendant le transport.
- Le bâti et les roulettes seraient sinon endommagés.

- Emportez le réservoir jusqu'au prochain site désigné pour l'élimination.
- Appuyez sur le bouton de déverrouillage de la poignée et poussez la poignée dans la cassette.
- Retournez le réservoir à cassette et tournez le d'évacuation à 90° vers le haut (fig. **4**, page 3).



### REMARQUE

Évitez de tourner le tuyau d'évacuation de plus de 90°, car il pourrait sinon se détacher.

- Dévissez le capuchon (fig. **5**, page 3).
- Remettez le capuchon sur la cassette (fig. **5**, page 3).
- Maintenez le réservoir à cassette d'une main au niveau de la poignée (fig. **11** 1, page 5) tandis que vous tenez le réservoir de l'autre main au niveau du bâti (fig. **11** 3, page 5) de sorte à pouvoir appuyer sur le bouton de ventilation (fig. **11** 2, page 5) pendant la vidange.
- Lorsque le tuyau d'évacuation est orienté vers le bas, appuyez sur le bouton de ventilation.
- ✓ Le réservoir se vide uniformément et sans éclaboussures.
- Rincez le réservoir de la cassette avec de l'eau après l'avoir vidé.
- Ajoutez un produit sanitaire dans la cassette (chapitre « Ajout d'un produit sanitaire », page 57).
- Nettoyez les roues du réservoir à cassette des impuretés grossières pour éviter les rayures sur le bâti de la cassette.

**AVIS !**

Ne nettoyez pas l'intérieur du réservoir de la cassette avec un nettoyeur haute pression. Le flotteur de l'indicateur de niveau pourrait être endommagé.

- Insérez le réservoir à cassette dans le bâti de la cassette (chapitre « Insertion du réservoir à cassette dans le bâti de la cassette », page 58).

## 6.6 Positionnement du siège des toilettes

La partie supérieure des toilettes pivote à 180° en continu, limité à  $\pm 90^\circ$  (fig. **12**, page 6).

## 6.7 Fonctionnement d'hiver



### AVIS !

N'utilisez aucun antigel. Les produits antigel peuvent endommager les toilettes à cassette.

Vous pouvez utiliser aussi les toilettes à cassette en hiver, tant que les toilettes et le réservoir à cassette sont dans une zone protégée du gel.

Si ce n'est pas le cas, videz le réservoir d'eau douce, le réservoir à cassette et l'alimentation en eau de l'approvisionnement en eau douce.

Cela évite les dommages dus au gel (chapitre « Mise hors service », page 61).

## 6.8 Mise hors service

Videz complètement le réservoir d'eau douce et le système d'alimentation en eau, si vous mettez les toilettes hors service pendant une période prolongée.

- Nettoyez soigneusement les toilettes (chapitre « Entretien et nettoyage », page 62).
- Appuyez sur le bouton de chasse d'eau jusqu'à ce qu'il n'y ait plus d'eau ne soit plus dans les canalisations.
- Couper l'alimentation électrique vers les toilettes.
- Videz ensuite le réservoir à cassette et lavez-le soigneusement. Nettoyez la cassette. Ne fermez pas le tuyau d'évacuation afin de laisser sécher le réservoir à cassette.
- Nettoyez et lubrifiez tous les joints et les pièces mobiles des toilettes et du réservoir à cassette (chapitre « Entretien et nettoyage », page 62) et répétez l'opération avant la remise en service.

## 7 Entretien et nettoyage



### ATTENTION !

Les nettoyants pour les toilettes ne doivent contenir ni chlore ni alcool !



### AVIS !

- Pour éviter des modifications du matériau, n'utilisez aucun détergent acide, granulaire ou à base de soude (ne pas utiliser d'abrasifs).
- N'utilisez pas de polish pour le nettoyage.



### REMARQUE

Utilisez un détergent doux et incolore pour le nettoyage régulier de la cuvette des toilettes.

- Nettoyez régulièrement l'intérieur et l'extérieur des toilettes avec un chiffon doux et de l'eau tiède mélangée à un détergent doux.
- Ensuite, rincez les surfaces à l'eau claire.
- Nettoyez et graissez régulièrement tous les joints des toilettes et du réservoir à cassette. Effectuez ces actions chaque mois en cas d'utilisation fréquente ou après 3 – 5 vidanges de la cassette. Utilisez de la graisse ou un spray silicone.

Le fabricant recommande :

- Graisse : OKS® 1110
- Spray de silicone : OKS® 1111

### 7.1 Nettoyage de la buse de la chasse d'eau

- Retirez le couvercle de la buse de rinçage (fig. 13, page 6).
- Retirez la saleté ou des dépôts avec un chiffon ou une brosse douce.
- Remettez le couvercle sur la buse de rinçage (fig. 14, page 6).

### 7.2 Graissage de la glissière



### ATTENTION !

Il existe un risque d'écrasement lorsque la glissière est fermée pendant le nettoyage ou le graissage (fig. 15, page 6).

La glissière se déplace facilement si elle est graissée régulièrement.

### Graissage des tiges de la glissière

- Pulvérisez les tiges de la glissière avec un spray de silicone (fig. **16**, page 7)

### Graissage du joint de la glissière

- Graissez les deux joints dans la partie inférieure de la cuvette des toilettes (fig. **17**, page 7).

## 7.3 Graissage du joint d'étanchéité de la cassette



### ATTENTION !

Il existe un risque d'écrasement lorsque la glissière est fermée pendant le nettoyage ou le graissage.

- Retirez le réservoir à cassette et posez-le sur une base solide.
- Tirez sur le couvercle (fig. **18** 1, page 7) pour que le joint soit accessible.
- Lubrifiez uniformément le joint d'étanchéité de la cassette (fig. **18** 2, page 7) dans la partie supérieure, avec de la graisse à base de silicone. Le cache reste ainsi mobile.
- Fermez le cache (fig. **19**, page 8).

## 7.4 Nettoyage de la fermeture à baïonnette et graissage du joint à baïonnette

- Desserrez la fermeture à baïonnette de la cassette (fig. **20**, page 8). La fermeture à baïonnette se détache difficilement à l'état de livraison et après une longue période.
- Nettoyez complètement la fermeture à baïonnette (fig. **21**, page 8). La fermeture doit être un peu soulevée à l'arrière.
- Avec de la graisse silicone, graissez uniformément les joints de la baïonnette (fig. **22** 2, 3, page 9).
- Remettez la fermeture à baïonnette en place (fig. **23**, page 9).

## 7.5 Graissage du joint torique de la ventilation de la cassette

- Desserrez l'adaptateur (fig. 24 1, page 9) de la cassette.
- Graissez le joint torique seulement enfiché (fig. 24 2, page 9) avec de la graisse silicone.

# 8 Entretien

Ce chapitre décrit les travaux d'entretien qui peuvent être effectués par l'utilisateur. Faites effectuer tous les autres travaux d'entretien et de réparation par du personnel qualifié.

## 8.1 Pièces de rechange

Les pièces de rechange sont disponibles auprès du centre de service après-vente du pays correspondant.

Tous les accessoires sont disponibles chez les détaillants spécialisés. Si vous avez des questions, veuillez contacter directement le revendeur ou votre fournisseur de service après-vente.

## 8.2 Remplacement du joint d'étanchéité de la cassette

- Tirez sur le couvercle pour que le joint soit accessible (fig. 25, page 10).
- Démontez la bague d'appui et le joint (fig. 25, page 10).



### AVIS !

Le joint d'étanchéité doit être appliqué de manière uniforme dans l'ouverture, de telle sorte que la cassette soit étanche et que la glissière puisse être facilement déplacée.

- Insérez le nouveau joint (fig. 26, page 10).
- Insérez l'anneau de support dans la rainure prévue dans le joint d'étanchéité de la cassette (fig. 27, page 10).



**ATTENTION ! Risque d'écrasement !**

Ne mettez pas les doigts dans l'ouverture lorsque vous fermez le couvercle.

- Fermez le cache (fig. **19**, page 8).

### 8.3 Remplacement du joint de la fermeture à baïonnette

- Desserrez la fermeture à baïonnette de la cassette (fig. **20**, page 8). La fermeture à baïonnette se détache difficilement à l'état de livraison et après une longue période.
- Insérez le nouveau joint (fig. **22** 2, page 9).
- Veillez à ce que le nouveau joint repose de manière bien uniforme (fig. **22** 2, page 9).
- Remettez la fermeture à baïonnette en place (fig. **23**, page 9).

### 8.4 Remplacement du fusible dans l'unité de commande

**ATTENTION !**

- Avant de commencer, éteignez l'alimentation en tension !
- Tirez doucement l'unité de commande hors de l'ouverture du mur. Il existe un risque de blessure si les ressorts se détendent !

- Soulevez l'unité de commande à l'aide d'un outil approprié et puis sortez-la de la console ou du mur (fig. **28**, page 11, fig. **29**, page 11).
- Remplacez le fusible (fusible automobile : 10 A) sur la partie inférieure de l'unité de commande (fig. **30**, page 11).

### 8.5 Remplacement des roues sur le réservoir à cassette

Les roues sur le réservoir à cassette peuvent être remplacées individuellement si nécessaire :

- Démontez l'ancienne roue comme indiqué (fig. **31**, page 11).
- Montez la nouvelle roue comme indiqué (fig. **31**, page 11).
- Vérifiez le bon roulement de la roue.

## 8.6 Démontage/remplacement du couvercle et de la lunette



### REMARQUE

Le fabricant décline toute responsabilité pour les dommages résultant d'une installation incorrecte ou défectueuse.

Procédez comme suit (fig. **33**, page 12) :

- Desserrez les entretoises (**2**) en faisant levier avec un tournevis pour les sortir de leur position.
- Soulevez le couvercle (**1**) prudemment à l'aide d'un tournevis pour le sortir de sa fixation et retirez-le.
- Le cas échéant, retirez les composants du mécanisme d'abaissement portant les marquages « CW » et « CCW ».
- Ouvrez le couvercle.
- Tenez le couvercle au-dessus des charnières (**3**) avec les deux mains et pliez-le légèrement en direction de la cuvette pour le détacher.
- Ouvrez la lunette.
- Tenez la lunette au-dessus des charnières (**3**) avec les deux mains et pliez-la légèrement en direction de la cuvette pour le détacher.

## 8.7 Montage/remplacement du mécanisme d'abaissement

Le mécanisme d'abaissement est intégré dans les modèles confort Saneo. Cette fonction peut être montée ultérieurement sur les modèles Saneo de base.



### REMARQUE

Le fabricant décline toute responsabilité pour les dommages résultant d'une installation incorrecte ou défectueuse.

- Soulevez le couvercle (fig. **33** 1, page 12) prudemment à l'aide d'un tournevis pour le sortir de sa fixation et retirez-le.
- Ouvrez le couvercle et la lunette.
- Le cas échéant, retirez les composants du mécanisme d'abaissement portant les marquages « CW » et « CCW ».

- Insérez les nouveaux composants du mécanisme d'abaissement (fig. **34**, page 13).
- Fermez le couvercle en l'effleurant.
- ✓ La lunette et le couvercle s'abaissent lentement.
- Insérez le couvercle (fig. **33** 1, page 12) dans la fixation.

## 9 Comportement en cas de panne

Dometic offre un réseau de service à l'échelle européenne. Vous trouverez les services après-vente agréés sur Internet, sur le site **dometic.com**.

Pour le contact avec le service après-vente, veuillez noter les données suivantes de la plaque signalétique :

- Modèle (Model Designation)
- Numéro de produit (Product Number)
- Numéro de série (Serial No.)
- Code MLC (MLC)



### REMARQUE

Vous trouverez la plaque signalétique à l'intérieur du logement de la cassette après avoir enlevé la cassette.

Dysfonctionnement	Cause possible	Remède
La chasse d'eau ne fonctionne plus.	Fusible défectueux. Cassette pas insérée. Cassette pleine. Pas d'alimentation électrique. Électronique défectueuse. Pompe défectueuse. Électrovanne défectueuse. Le tamis de l'électrovanne est encrassé.	Remplacer le fusible (voir chapitre « Remplacement du fusible dans l'unité de commande », page 65). En cas de pannes répétées, vérifiez les raccordements électriques et les connexions ! Remplacer les pièces défectueuses.
Fuites du réservoir à cassette.	Joint usé.	Remplacer le joint d'étanchéité de la cassette (voir chapitre « Remplacement du joint d'étanchéité de la cassette », page 64).

Dysfonctionnement	Cause possible	Remède
Aucun indicateur de niveau.	Le flotteur s'est coincé dans le réservoir de la cassette ou est bloqué par du papier toilette.	Nettoyer le flotteur dans la cassette. <b>Ne pas utiliser de nettoyeur haute pression !</b>
Impossible d'insérer complètement le réservoir à cassette. Il est possible d'ouvrir la poignée alors que la cassette a été retirée.	La bride inférieure de la glissière s'est détachée.	Appuyez sur la bride de la glissière pour la remettre en position correcte (fig. <b>35</b> , page 13).
Impossible de retirer la cassette.	La poignée de la glissière est ouverte.	Fermer la poignée de la glissière.
La cassette ne s'enclenche pas dans le boîtier de la cassette.	Le verrouillage des cassettes est défectueux.	Remplacer le verrouillage des cassettes.
La cassette se retire alors que la poignée est ouverte.	La pochette de verrouillage de la cassette est défectueuse.	Remplacer la fermeture à baïonnette sur la cassette.
Impossible d'ouvrir la poignée.	La cassette n'est pas insérée.	Insérer la cassette.

## 10 Garantie

Le délai légal de garantie s'applique. Si le produit s'avérait défectueux, veuillez vous adresser à la filiale du fabricant située dans votre pays (voir adresses au verso du présent manuel) ou à votre revendeur spécialisé.

Veuillez y joindre les documents suivants pour la gestion des réparations et de la garantie :

- une copie de la facture avec la date d'achat,
- le motif de la réclamation ou une description du dysfonctionnement.




## 11 Retraitement

- Jetez les emballages dans les conteneurs de déchets recyclables prévus à cet effet.



Lorsque vous mettez votre produit définitivement hors service, informez-vous auprès du centre de recyclage le plus proche ou auprès de votre revendeur spécialisé sur les prescriptions relatives au retraitement des déchets.

## 12 Caractéristiques techniques

	Dometic Saneo
Tension d'alimentation :	12 V $\overline{=}$
Intensité absorbée :	2 A max. avec la pompe interne 10 A max. avec la pompe externe
Poids max. de la personne :	150 kg
Dimensions :	voir les indications des instructions de montage
Température de fonctionnement :	de 0 °C à +50 °C
Capacité :	16 l (réservoir à cassette) 7 l (réservoir d'eau douce, en option)
Conformité :	   ECE R10



### REMARQUE

Alimentation en eau (pompe du véhicule) :

Les toilettes nécessitent, du côté du véhicule, min. 7 l/min à la sortie du tuyau de raccordement des toilettes, afin de garantir des performances de lavage suffisantes avec min. 5 l/min.

Vous trouverez la déclaration de conformité UE actuelle pour votre appareil sur la page de produit concernée sur [dometic.com](http://dometic.com) ou directement auprès du fabricant (voir verso).

**Prima di effettuare la messa in funzione, leggere accuratamente questo manuale di istruzioni, conservarlo e, nel caso in cui il prodotto venga consegnato ad un altro utente, consegnare anche le relative istruzioni.**

## Indice

<b>1</b>	<b>Spiegazione dei simboli</b> .....	71
<b>2</b>	<b>Indicazioni di sicurezza</b> .....	71
2.1	Sicurezza di base .....	72
2.2	Utilizzo dei prodotti sanitari .....	72
<b>3</b>	<b>Accessori</b> .....	73
<b>4</b>	<b>Conformità d'uso</b> .....	73
<b>5</b>	<b>Descrizione tecnica</b> .....	73
5.1	Descrizione dei componenti .....	74
5.2	Elementi di comando e indicazione .....	75
<b>6</b>	<b>Utilizzo della toilette</b> .....	75
6.1	Prodotti per la pulizia sanitaria .....	75
6.2	Preparazione del serbatoio a cassetta .....	76
6.3	Riempimento del serbatoio di acqua dolce .....	77
6.4	Utilizzo della toilette .....	77
6.5	Svuotamento del serbatoio a cassetta .....	78
6.6	Posizionamento della seduta della toilette .....	79
6.7	Utilizzo durante l'inverno .....	79
6.8	Messa fuori servizio .....	79
<b>7</b>	<b>Pulizia e cura</b> .....	80
7.1	Pulizia ugello di scarico .....	81
7.2	Ingrassaggio del separatore .....	81
7.3	Ingrassaggio della guarnizione della cassetta .....	81
7.4	Pulizia della chiusura a baionetta e ingrassaggio della guarnizione a baionetta .....	82
7.5	Ingrassatura dell'O-ring dell'aerazione della cassetta .....	82
<b>8</b>	<b>Manutenzione</b> .....	82
8.1	Pezzi di ricambio .....	82
8.2	Sostituzione della guarnizione della cassetta .....	82
8.3	Sostituzione della guarnizione a baionetta .....	83
8.4	Sostituzione del fusibile nell'unità di comando .....	83

8.5	Sostituzione delle rotelle del serbatoio a cassetta . . . . .	84
8.6	Smontaggio/sostituzione del coperchio e del cerchio . . . . .	84
8.7	Montaggio/sostituzione del sistema automatico di abbassamento . . . . .	122
<b>9</b>	<b>Cosa fare in caso di guasto</b> . . . . .	<b>85</b>
<b>10</b>	<b>Garanzia</b> . . . . .	<b>87</b>
<b>11</b>	<b>Smaltimento</b> . . . . .	<b>87</b>
<b>12</b>	<b>Specifiche tecniche</b> . . . . .	<b>88</b>

## 1 Spiegazione dei simboli



### **AVVERTENZA!**

Avviso di sicurezza: la mancata osservanza di questo avviso può causare ferite gravi anche mortali.



### **ATTENZIONE!**

**Avviso di sicurezza:** la mancata osservanza di questo avviso può essere causa di lesioni.



### **AVVISO!**

La mancata osservanza di questa nota può causare danni materiali e compromettere il funzionamento del prodotto.



### **NOTA**

Informazioni integranti relative all'impiego del prodotto.

## 2 Indicazioni di sicurezza

Il produttore non si assume nessuna responsabilità per danni nei seguenti casi:

- danni al prodotto dovuti a influenze meccaniche o a sovratensioni
- modifiche al prodotto senza esplicita autorizzazione del produttore
- impiego per altri fini rispetto a quelli descritti nel manuale di istruzioni

È possibile richiedere la dichiarazione di conformità al produttore (informazioni di contatto sul retro).

## 2.1 Sicurezza di base



### AVVERTENZA!

- Il presente dispositivo può essere usato sia da bambini dagli 8 anni in su, sia da persone con ridotte capacità fisiche, sensoriali o mentali o con poca esperienza o conoscenze, se non lasciati soli o se istruiti sull'utilizzo sicuro dell'apparecchio e in grado di capire i pericoli che possono sorgere.
- La pulizia e la manutenzione da parte dell'utente non possono essere compiute da bambini lasciati soli.
- Controllare che i bambini non giochino con l'apparecchio.



### AVVISO!

- Non agitare eccessivamente il serbatoio a cassetta.
- Non appendere il serbatoio a cassetta a una bicicletta o a un altro veicolo durante il trasporto.
- Non usare antigelo. perché potrebbe danneggiare il WC a cassetta.
- La toilette può sostenere il peso di una persona fino a un massimo di 150 kg.

## 2.2 Utilizzo dei prodotti sanitari



### ATTENZIONE!

- Conservare i prodotti sanitari lontano dalla portata dei bambini.



### AVVISO!

- Prima di utilizzare i prodotti sanitari per l'igiene e la pulizia della toilette, osservare le istruzioni per l'uso sulla confezione.



### NOTA

- La comune carta igienica può intasare la toilette. Utilizzare una carta igienica speciale a dissoluzione rapida.  
Il produttore raccomanda Dometic COMFORT CARE.



### 3 Accessori

Disponibili come accessori (non in dotazione):

#### Descrizione

Sistema automatico di abbassamento (funzione "Autoclose")  
(in dotazione con Saneo C)

Elemento di comando Touch-Switch

Elemento di comando Tact-Switch

Sulla pagina web di Dometic (vedi retro) trovate informazioni su accessori sanitari.

### 4 Conformità d'uso

La toilette è studiata per l'installazione e l'utilizzo in veicoli da diporto come camper e caravan.

### 5 Descrizione tecnica

Il WC a cassetta Saneo è composto di una toilette fissata nel veicolo e di una cassetta come serbatoio di scarico estraibile e trasportabile. La cassetta è accessibile dall'esterno attraverso una porta. In base al modello, la toilette riceve l'acqua per lo scarico da un serbatoio integrato nell'alloggiamento o dal serbatoio di acqua dolce del veicolo.

Esistono i seguenti modelli della toilette:

- **Saneo B, Saneo C:** autonomo, senza serbatoio dell'acqua, senza console
- **Saneo BS, Saneo CS:** autonomo, senza serbatoio dell'acqua, con console
- **Saneo BW, Saneo CW:** autonomo, con serbatoio dell'acqua nella console
- **Saneo BLP, Saneo CLP:** autonomo, senza serbatoio dell'acqua, console bassa






I modelli Saneo C possono essere dotati di uno scarico a intervalli (opzionale).

L'acqua viene pompata in piccole dosi nella tazza del WC per ottenere un'irrorazione migliore e una pulizia migliore. L'irrorazione e la pulizia dipendono dalla quantità di acqua messa a disposizione nel veicolo.

## 5.1 Descrizione dei componenti

Pos. in fig. 1, pagina 2	Denominazione
1	Alloggiamento per il serbatoio a cassetta
2	Separatore per lo svuotamento della tazza del WC
3	<b>Modelli Saneo B:</b> Tazza del WC in plastica <b>Modelli Saneo C:</b> Tazza del WC in ceramica
4	Seduta (coperchio/cerchio): <b>Modelli Saneo B:</b> Senza sistema automatico di abbassamento (kit di retrofit "Autoclose" opzionale) <b>Solo modelli Saneo C:</b> Con sistema automatico di abbassamento ("Autoclose")
5	Console
6	Pannello di comando con spia del livello di riempimento e scarico
7	<b>Solo Saneo BW/CW:</b> Serbatoio di acqua dolce integrato
8	<b>Solo Saneo BW/CW:</b> Sportellino del serbatoio
9	Tubo di scarico
10	Separatore sulla cassetta
11	Pulsante di sfiato per lo svuotamento
12	Serbatoio a cassetta
13	Maniglia estraibile
14	Porta di servizio

## 5.2 Elementi di comando e indicazione

Posizione nella fig. 2, pagina 2	Denominazione
1	 Tasto "Scarico"
2	 Indicazione "Serbatoio a cassetta estratto"
3	 Indicazione "Riempire serbatoio di acqua dolce" (nel caso del serbatoio del veicolo sostanzialmente non collegato)
4	 Indicazione "Serbatoio a cassetta pieno per 3/4"
5	 Indicazione "Serbatoio a cassetta pieno"

## 6 Utilizzo della toilette



### NOTA

- Prima della messa in funzione della toilette, pulirne l'interno e l'esterno con un panno umido, acqua tiepida e con un detergente non aggressivo (vedi anche capitolo "Pulizia e cura" a pagina 80).
- Pulire e ingrassare regolarmente le guarnizioni della toilette (vedi capitolo "Pulizia e cura" a pagina 80).

### 6.1 Prodotti per la pulizia sanitaria

I prodotti sanitari per il serbatoio di scarico decompongono le feci ed evitano odori sgradevoli.

Il produttore raccomanda:

- Dometic POWER CARE TABS
- Dometic GREEN CARE TABS

Per l'utilizzo dei prodotti sanitari, osservare le istruzioni per l'uso sulla confezione.



### NOTA

La comune carta igienica può intasare la toilette. Utilizzare una carta igienica speciale a dissoluzione rapida. Il produttore raccomanda Dometic COMFORT CARE.

Sulla pagina web di Dometic (vedi retro) trovate ulteriori informazioni sugli accessori sanitari.

## 6.2 Preparazione del serbatoio a cassetta

### Estrazione del serbatoio a cassetta

Procedere come segue (fig. **3**, pagina 2):

- ▶ Aprire la porta di servizio.
- ▶ Premere in alto la sicura per sbloccare il serbatoio.
- ▶ Estrarre il serbatoio a cassetta dall'alloggiamento. All'estrazione deve essere superata una certa resistenza.



#### NOTA

A cassetta estratta la maniglia del separatore è bloccata nell'alloggiamento della toilette. È possibile inserire la cassetta solo con il separatore chiuso. Non tirare la maniglia del separatore quando la cassetta è stata estratta.

### Come aggiungere liquido sanitario

- ▶ Posizionare il serbatoio a cassetta diritto.
- ▶ Ruotare il tubo di scarico di circa 90° verso l'alto (fig. **4**, pagina 3).



#### NOTA

Evitare di ruotare il tubo di scarico oltre i 90° poiché altrimenti può staccarsi (fig. **4**, pagina 3).

- ▶ Svitare il cappuccio di chiusura (fig. **5**, pagina 3).
- ▶ Inserire il cappuccio di chiusura sulla cassetta (fig. **5**, pagina 3).
- ▶ Inserire tramite il tubo di scarico un liquido sanitario nel serbatoio a cassetta (fig. **6**, pagina 3). Osservare le istruzioni per l'uso del liquido sanitario.

### Inserimento del serbatoio a cassetta nell'alloggiamento



#### AVVISO!

Osservare che il serbatoio deve poter entrare agevolmente nell'alloggiamento. Assicurarsi che il serbatoio a cassetta non colpisca contro altri oggetti o componenti.

- Spingere il serbatoio a cassetta nell'alloggiamento fino all'arresto.
- ✓ Il blocco del serbatoio a cassetta si innesta automaticamente quando il serbatoio viene spinto dentro.
- Controllare che il serbatoio a cassetta sia ben fissato.
- Chiudere e bloccare la porta di servizio.

### 6.3 Riempimento del serbatoio di acqua dolce

- Riempire il serbatoio di acqua dolce tramite il bocchettone sul lato esterno del veicolo. La quantità dipende dal serbatoio utilizzato (serbatoio integrato nei modelli Saneo BW e Saneo CW = 7 litri).

### 6.4 Utilizzo della toilette

La seduta della toilette è assicurata contro la caduta nella posizione aperta a 90°. Per i modelli con il sistema automatico di abbassamento ("Autoclose"), la seduta scende lentamente quando viene spinta (fig. **7**, pagina 4).




#### NOTA

Il separatore deve essere chiuso durante la marcia del veicolo e non devono trovarsi liquidi al di sopra di esso.

- Prima dell'utilizzo del WC, azionare il tasto di scarico **1**, per bagnare con acqua la superficie della tazza. Uno scarico è limitato a 20 secondi, a seconda della durata dell'attivazione. L'attivazione del relè può essere udibile.
- Tirare in avanti il separatore (fig. **8**, pagina 4). Lasciare aperto il separatore durante l'utilizzo del WC.
- Al termine dell'utilizzo del WC, per pulire la tazza, azionare nuovamente il tasto di scarico **1**.
- Chiudere il separatore (fig. **9**, pagina 4).


È percepibile una leggera resistenza alla chiusura del separatore a partire da una distanza di circa 10 mm dall'alloggiamento. Il separatore è chiuso quando la sua maniglia è a contatto con l'alloggiamento della toilette (fig. **9**, pagina 4). Altrimenti il serbatoio a cassetta non può essere estratto.

Il serbatoio a cassetta ha una capacità di 16 l. Se si accende l'indicazione , sono possibili solo pochi utilizzi del WC.

**NOTA**

Con la cassetta piena per 3/4 è possibile solo l'utilizzo con il separatore aperto. In posizione inclinata (ad es. con il veicolo in pendenza) è possibile riempire la cassetta solo per 3/4 perché è possibile che l'acqua fuoriesca attraverso lo sfianto.

## 6.5 Svuotamento del serbatoio a cassetta

Svuotare il serbatoio a cassetta quando si accende l'indicazione .

- ▶ Estrarre il serbatoio a cassetta (capitolo "Estrazione del serbatoio a cassetta" a pagina 76).
- ▶ Premere il tasto di sblocco al centro della maniglia ed estrarre la maniglia fino all'arresto (fig. **10**, pagina 5).

**AVVISO!**

- Non agitare eccessivamente il serbatoio a cassetta.
- Non appendere il serbatoio a cassetta a una bicicletta o a un altro veicolo durante il trasporto.
- Non appoggiare oggetti pesanti sul serbatoio a cassetta durante il trasporto.

L'alloggiamento e le rotelle ne verrebbero danneggiati.

- ▶ Portare il serbatoio al più vicino punto di smaltimento segnalato.
- ▶ Premere il tasto di sblocco della maniglia e spingere la maniglia dentro la cassetta.
- ▶ Mettere in piedi il serbatoio a cassetta e ruotare il tubo di scarico di 90° verso l'alto (fig. **4**, pagina 3).

**NOTA**

Evitare di ruotare il tubo di scarico oltre i 90° poiché altrimenti può staccarsi.

- ▶ Svitare il cappuccio di chiusura (fig. **5**, pagina 3).
- ▶ Inserire il cappuccio di chiusura sulla cassetta (fig. **5**, pagina 3).
- ▶ Tenere il serbatoio a cassetta con una mano per la maniglia (fig. **11** 1, pagina 5), mentre con l'altra sostenere il serbatoio per l'alloggiamento (fig. **11** 3, pagina 5) in modo tale da poter premere il pulsante di sfianto (fig. **11** 2, pagina 5) durante lo svuotamento.

- ▶ Premere il pulsante di sfiato quando il tubo di scarico è rivolto verso il basso.
- ✓ Il serbatoio si svuota regolarmente e senza spruzzi.
- ▶ Risciacquare accuratamente con acqua il serbatoio a cassetta dopo lo svuotamento.
- ▶ Aggiungere nella cassetta un liquido sanitario (capitolo "Come aggiungere liquido sanitario" a pagina 76).
- ▶ Pulire le rotelle del serbatoio a cassetta dallo sporco più grossolano per evitare graffi nell'alloggiamento della cassetta.

**AVVISO!**

Non pulire l'interno del serbatoio a cassetta con un'idropulitrice. Il galleggiante per l'indicazione del livello di riempimento potrebbe danneggiarsi.

- ▶ Spingere il serbatoio a cassetta nell'alloggiamento (capitolo "Inserimento del serbatoio a cassetta nell'alloggiamento" a pagina 76).

## 6.6 Posizionamento della seduta della toilette

La parte alta della toilette è ruotale in modo continuo di 180°, limitata a  $\pm 90^\circ$  (fig. 12, pagina 6).

## 6.7 Utilizzo durante l'inverno

**AVVISO!**

Non usare antigelo. L'antigelo può danneggiare il WC a cassetta.

Potete utilizzare il WC a cassetta anche d'inverno fintanto che la toilette e il serbatoio a cassetta si trovano in zone non esposte al gelo.

In caso contrario, svuotare il serbatoio di acqua dolce, il serbatoio a cassetta e il tubo dell'alimentazione di acqua dolce.

In questo modo si evitano danni per congelamento (capitolo "Messa fuori servizio" a pagina 79).

## 6.8 Messa fuori servizio

Svuotare completamente il serbatoio di acqua dolce e il sistema di tubi di acqua se non si utilizza la toilette per molto tempo.

- Pulire accuratamente la toilette (capitolo “Pulizia e cura” a pagina 80).
- Attivare il pulsante di scarico fino a che non si trova più acqua nei tubi.
- Interrompere l'alimentazione di acqua verso la toilette.
- Svuotare quindi il serbatoio a cassetta e risciacquarlo accuratamente. Pulire la cassetta. Non chiudere il tubo di scarico per permettere al serbatoio a cassetta di asciugarsi.
- Pulire e ingrassare tutte le guarnizioni e le parti mobili della toilette e del serbatoio a cassetta (capitolo “Pulizia e cura” a pagina 80) e ripetere quest'operazione prima di rimettere in funzione il WC a cassetta.

## 7 Pulizia e cura



### ATTENZIONE!

I detersivi per la toilette non devono contenere né cloro né alcol!



### AVVISO!

- Per evitare alterazioni al materiale, non utilizzare oggetti per la pulizia appuntiti, granulosi o con contenuto di soda (nessun abrasivo).
- Per la pulizia non utilizzare prodotti per lucidare.



### NOTA

Per la regolare pulizia della tazza del WC utilizzare un detergente non aggressivo e incolore.

- Pulire regolarmente l'interno e l'esterno della toilette con un panno umido, acqua tiepida e con un detergente non aggressivo.
- Risciacquare quindi le superfici con acqua pulita.
- Pulire e ingrassare regolarmente tutte le guarnizioni della toilette e del serbatoio a cassetta. Eseguire queste operazioni una volta al mese in caso di frequente utilizzo o dopo 3 – 5 svuotamenti della cassetta. Utilizzare grasso o spray a base di silicone.

Il produttore raccomanda:

- Grasso: OKS® 1110
- Spray al silicone: OKS® 1111



## 7.1 Pulizia ugello di scarico

- ▶ Staccare la copertura dall'ugello di scarico (fig. **13**, pagina 6).
- ▶ Rimuovere lo sporco o i depositi con un panno o una spazzola morbida.
- ▶ Inserire la copertura sull'ugello di scarico (fig. **14**, pagina 6).

## 7.2 Ingrassaggio del separatore



### ATTENZIONE!

C'è pericolo di schiacciamento se il separatore viene chiuso durante la pulizia o l'ingrassaggio (fig. **15**, pagina 6).

Il separatore è facile da muovere se viene ingrassato regolarmente.

### Ingrassaggio delle aste del separatore

- ▶ Spruzzare le aste del separatore con spray al silicone (fig. **16**, pagina 7).

### Ingrassaggio della guarnizione del separatore

- ▶ Ingrassare le due guarnizioni nella parte bassa della tazza del WC (fig. **17**, pagina 7).

## 7.3 Ingrassaggio della guarnizione della cassetta



### ATTENZIONE!

C'è pericolo di schiacciamento se il separatore viene chiuso durante la pulizia o l'ingrassaggio.

- ▶ Estrarre il serbatoio a cassetta e posizionarlo su una base solida.
- ▶ Tirare indietro la copertura (fig. **18** 1, pagina 7) per poter accedere alla guarnizione.
- ▶ Ingrassare in modo uniforme la guarnizione della cassetta (fig. **18** 2, pagina 7) nella parte alta con grasso a base di silicone. La copertura rimane così mobile.
- ▶ Chiudere la copertura (fig. **19**, pagina 8).

## 7.4 Pulizia della chiusura a baionetta e ingrassaggio della guarnizione a baionetta

- ▶ Scollegare la chiusura a baionetta dalla cassetta (fig. **20**, pagina 8). La chiusura a baionetta è difficile da allentare quando il dispositivo è ancora nuovo o dopo un lungo periodo di inutilizzo.
- ▶ Pulire completamente la chiusura a baionetta (fig. **21**, pagina 8). La chiusura deve essere leggermente sollevata nella parte posteriore.
- ▶ Ingrassare omogeneamente le guarnizioni della baionetta (fig. **22** 2, 3, pagina 9) con grasso al silicone.
- ▶ Rimontare la chiusura a baionetta (fig. **23**, pagina 9).

## 7.5 Ingrassatura dell'O-ring dell'aerazione della cassetta

- ▶ Scollegare l'adattatore (fig. **24** 1, pagina 9) dalla cassetta.
- ▶ Ingrassare solo l'O-ring inserito (fig. **24** 2, pagina 9) con grasso al silicone.

# 8 Manutenzione

In questo capitolo sono descritti i lavori di manutenzione che possono essere eseguiti dall'utente. Far eseguire tutti gli altri lavori di manutenzione e assistenza da personale specializzato.

## 8.1 Pezzi di ricambio

I pezzi di ricambio possono essere acquistati presso il Servizio Assistenza Clienti del rispettivo paese.

Tutti gli accessori sono disponibili presso i rivenditori specializzati. In caso di domande rivolgetevi direttamente ai rivenditori specializzati o al vostro partner per l'assistenza.

## 8.2 Sostituzione della guarnizione della cassetta

- ▶ Tirare indietro la copertura per poter accedere alla guarnizione (fig. **25**, pagina 10).
- ▶ Smontare l'anello di sostegno e la guarnizione (fig. **25**, pagina 10).

**AVVISO!**

La guarnizione deve poggiare in modo uniforme sull'apertura, in modo tale che la cassetta si chiuda ermeticamente e sia facile muovere il separatore.

- Inserire la nuova guarnizione (fig. **26**, pagina 10).
- Inserire l'anello di sostegno nella scanalatura prevista della guarnizione della cassetta (fig. **27**, pagina 10).

**ATTENZIONE! Pericolo di schiacciamento!**

Non toccare l'apertura quando si chiude la copertura.

- Chiudere la copertura (fig. **19**, pagina 8).

### 8.3 Sostituzione della guarnizione a baionetta

- Scollegare la chiusura a baionetta dalla cassetta (fig. **20**, pagina 8). La chiusura a baionetta è difficile da allentare quando il dispositivo è ancora nuovo o dopo un lungo periodo di inutilizzo.
- Inserire la nuova guarnizione (fig. **22** 2, pagina 9).
- Fare attenzione che la nuova guarnizione sia posizionata in modo uniforme nella sede (fig. **22** 2, pagina 9).
- Rimontare la chiusura a baionetta (fig. **23**, pagina 9).

### 8.4 Sostituzione del fusibile nell'unità di comando

**ATTENZIONE!**

- Prima di iniziare, scollegare la tensione di alimentazione!
- Estrarre con cautela l'unità di comando dall'apertura nella parete. Esiste il pericolo di lesioni per molle di rimbalzo!

- Sollevare l'unità di comando con un attrezzo adeguato ed estrarla dalla console o parete (fig. **28**, pagina 11, fig. **29**, pagina 11).
- Sostituire il fusibile (fusibile auto: 10 A) sul lato inferiore dell'unità di comando (fig. **30**, pagina 11).

## 8.5 Sostituzione delle rotelle del serbatoio a cassetta

Le rotelle del serbatoio a cassetta, se necessario, possono essere sostituite singolarmente:

- ▶ Scollegare la rotella vecchia nel modo rappresentato (fig. **31**, pagina 11).
- ▶ Montare la rotella nuova nel modo rappresentato (fig. **32**, pagina 11).
- ▶ Controllare che la rotella giri liberamente.

## 8.6 Smontaggio/sostituzione del coperchio e del cerchio



### NOTA

Il produttore non si assume responsabilità per danni causati da un montaggio errato o difettoso.

Procedere come segue (fig. **33**, pagina 12):

- ▶ Scollegare i distanziatori (**2**) sollevandoli dalla loro posizione con un cacciavite a taglio.
- ▶ Sollevare attentamente la copertura (**1**) con un cacciavite a taglio dalla sua sede e asportarla.
- ▶ Estrarre eventualmente i componenti del sistema automatico di abbassamento segnati con "CW" e "CCW".
- ▶ Aprire il coperchio.
- ▶ Afferrare il coperchio sopra la cerniera (**3**) con entrambe le mani e piegarlo leggermente in direzione della tazza del WC per scollegarlo.
- ▶ Aprire il cerchio.
- ▶ Afferrare il cerchio sopra la cerniera (**3**) con entrambe le mani e piegarlo leggermente in direzione della tazza del WC per scollegarlo.

## 8.7 Montaggio/sostituzione del sistema automatico di abbassamento

Il sistema automatico di abbassamento è integrato nei modelli Saneo Comfort. Per i modelli Saneo Basic, questa funzione può essere installata successivamente.



### NOTA

Il produttore non si assume responsabilità per danni causati da un montaggio errato o difettoso.

- Sollevare attentamente la copertura (fig. **33** 1, pagina 12) con un cacciavite a taglio dalla sua sede e asportarla.
- Aprire il coperchio e il cerchio.
- Estrarre eventualmente i componenti del sistema automatico di abbassamento segnati con "CW" e "CCW".
- Inserire i nuovi componenti del sistema automatico di abbassamento (fig. **34**, pagina 13).
- Chiudere il coperchio spingendolo leggermente.
- ✓ Il cerchio e il coperchio si abbassano lentamente.
- Inserire la copertura (fig. **33** 1, pagina 12) nella sede.

## 9 Cosa fare in caso di guasto

Dometic offre un Servizio Assistenza Clienti in tutta Europa. Per conoscere i punti del Servizio Assistenza Clienti, consultare in internet il sito **dometic.com**.

Per il contatto con il Servizio Assistenza Clienti, prendere nota dei seguenti dati nella targhetta:

- Modello (Model Designation)
- Numero del prodotto (Product Number)
- Numero di serie (Serial No.)
- Codice MLC (MLC)



### NOTA

Trovate la targhetta nell'alloggiamento della cassetta quando questa viene estratta.

Guasto	Possibile causa	Soluzione
Lo scarico non funziona più.	Fusibile guasto. Cassetta non inserita. Cassetta piena. Alimentazione elettrica non disponibile. Elettronica guasta. Pompa guasta. Valvola magnetica guasta. Il filtro della valvola magnetica è sporco.	Sostituire il fusibile (vedi capitolo "Sostituzione del fusibile nell'unità di comando" a pagina 83). In caso di disattivazioni ripetute, controllare i collegamenti elettrici! Sostituzione dei componenti guasti.
Serbatoio a cassetta non a tenuta.	Guarnizione usurata.	Sostituire la guarnizione della cassetta (vedi capitolo "Sostituzione della guarnizione della cassetta" a pagina 82).
Non si accende la spia del livello di riempimento.	Il galleggiante nel serbatoio a cassetta si è bloccato o si è intasato con la carta igienica.	Pulire il galleggiante nella cassetta. <b>Non utilizzare l'idropulitrice!</b>
Il serbatoio a cassetta non si inserisce completamente. La maniglia del separatore si apre nonostante sia stata estratta la cassetta.	La flangia inferiore del separatore si è allentata.	Premere la flangia del separatore nella posizione corretta (fig. 35, pagina 13).
Non è possibile estrarre la cassetta.	La maniglia del separatore è aperta.	Chiudere la maniglia del separatore.
La cassetta non si innesta nell'alloggiamento.	Il blocco della cassetta è guasto.	Sostituire il blocco della cassetta.
Non è possibile estrarre la cassetta nonostante la maniglia del separatore sia aperta.	La sacca di bloccaggio sulla cassetta è difettosa.	Sostituire la chiusura a baionetta sulla cassetta.
La maniglia del cursore non si apre.	La cassetta non è inserita.	Inserire la cassetta.

## 10 Garanzia

Vale il termine di garanzia previsto dalla legge. Qualora il prodotto risultasse difettoso, La preghiamo di rivolgersi al proprio rivenditore specializzato o alla filiale del produttore del suo Paese (l'indirizzo si trova sul retro del manuale di istruzioni).

Per la riparazione e per il disbrigo delle condizioni di garanzia è necessario inviare la seguente documentazione:

- una copia della fattura con la data di acquisto del prodotto,
- un motivo su cui fondare il reclamo, oppure una descrizione del guasto.




## 11 Smaltimento

- Raccogliere il materiale di imballaggio possibilmente negli appositi contenitori di riciclaggio.



Quando il prodotto viene messo fuori servizio definitivamente, informarsi al centro di riciclaggio più vicino, oppure presso il proprio rivenditore specializzato, sulle prescrizioni adeguate concernenti lo smaltimento.

## 12 Specifiche tecniche

	<b>Dometic Saneo</b>
Tensione di alimentazione:	12 V $\overline{=}$
Corrente assorbita:	max 2 A con pompa interna max 10 A con pompa esterna
Peso massimo della persona:	150 kg
Dimensioni:	vedi dati nelle Indicazioni di montaggio
Temperatura di esercizio:	da 0 °C a +50 °C
Capacità:	16 l (serbatoio a cassetta) 7 l (serbatoio di acqua dolce, opzionale)
Marchio di collaudo:	   ECE R10



### NOTA

Approvvigionamento di acqua (pompa del veicolo):

La toilette necessita dal veicolo almeno di 7 l/min. di acqua sull'uscita del raccordo del flessibile della toilette per poter garantire uno scarico sufficiente con almeno 5 l/min.

L'attuale dichiarazione di conformità UE per il proprio apparecchio è disponibile sulla relativa pagina del prodotto al sito [dometic.com](http://dometic.com) o direttamente tramite il produttore (vedi retro).



**Lees deze handleiding voor de ingebruikneming zorgvuldig door en bewaar hem. Geef de handleiding bij het doorgeven van het product aan de gebruiker.**

## Inhoudsopgave

<b>1</b>	<b>Verklaring van de symbolen</b> .....	90
<b>2</b>	<b>Veiligheidsinstructies</b> .....	90
2.1	Algemene veiligheid .....	91
2.2	Gebruik van sanitaire producten .....	91
<b>3</b>	<b>Toebehoren</b> .....	92
<b>4</b>	<b>Reglementair gebruik</b> .....	92
<b>5</b>	<b>Technische beschrijving</b> .....	92
5.1	Beschrijving van de componenten .....	93
5.2	Bedienings- en indicatie-elementen .....	94
<b>6</b>	<b>Toilet gebruiken</b> .....	94
6.1	Sanitaire producten .....	94
6.2	Cassettetank voorbereiden .....	95
6.3	Verswatertank vullen .....	96
6.4	Toilet gebruiken .....	96
6.5	Cassettetank legen .....	97
6.6	Toiletzitting positioneren .....	98
6.7	Gebruik in de winter .....	98
6.8	Buitenbedrijfstelling .....	99
<b>7</b>	<b>Reiniging en onderhoud</b> .....	99
7.1	Spoelproeier reinigen .....	100
7.2	Schuif invetten .....	100
7.3	Cassetteafdichting invetten .....	100
7.4	Bajonetsluiting reinigen en bajonetafdichting invetten .....	101
7.5	O-ring van de cassetteventilatie invetten .....	101
<b>8</b>	<b>Onderhoud</b> .....	101
8.1	Reserveonderdelen .....	101
8.2	Cassetteafdichting vervangen .....	102
8.3	Bajonetafdichting vervangen .....	102
8.4	Zekering in de bedieningseenheid vervangen .....	102

8.5	Wielen van de cassetetank vervangen . . . . .	103
8.6	Deksel en bril demonteren/vervangen . . . . .	103
8.7	Automatisch sluitsysteem monteren/vervangen . . . . .	104
<b>9</b>	<b>Wat te doen bij storingen?</b> . . . . .	104
<b>10</b>	<b>Garantie</b> . . . . .	106
<b>11</b>	<b>Afvoer</b> . . . . .	106
<b>12</b>	<b>Technische gegevens</b> . . . . .	107

## 1 Verklaring van de symbolen



### **WAARSCHUWING!**

**Veiligheidsaanwijzing:** Het niet naleven kan leiden tot overlijden of ernstig letsel.



### **VOORZICHTIG!**

**Veiligheidsaanwijzing:** Het niet naleven kan leiden tot letsel.



### **LET OP!**

Het niet naleven ervan kan leiden tot materiële schade en de werking van het product beperken.



### **INSTRUCTIE**

Aanvullende informatie voor het bedienen van het product.

## 2 Veiligheidsinstructies

De fabrikant kan in de volgende gevallen niet aansprakelijk worden gesteld voor schade:

- beschadiging van het product door mechanische invloeden en overspanningen
- veranderingen aan het product zonder uitdrukkelijke toestemming van de fabrikant
- gebruik voor andere dan de in de handleiding beschreven toepassingen

De verklaring van overeenstemming kan bij de fabrikant worden opgevraagd (contactgegevens, zie achterzijde).

## 2.1 Algemene veiligheid



### WAARSCHUWING!

- Dit toestel kan door kinderen vanaf 8 jaar en ouder evenals door personen met verminderde fysieke, zintuiglijke of geestelijke vermogens of tekortschietende ervaring en kennis gebruikt worden, als ze worden begeleid of hun is uitgelegd hoe ze het toestel veilig kunnen gebruiken. Ook dienen ze inzicht te hebben in de gevaren die het gebruik van het toestel met zich meebrengt.
- Reiniging en onderhoud mogen niet door kinderen zonder begeleiding worden uitgevoerd.
- Er moet toezicht worden gehouden op kinderen om te voorkomen dat ze met het toestel spelen.



### LET OP!

- Schud de cassettank niet krachtig.
- Hang de cassettank voor het transport niet achter een fiets of een ander voertuig.
- Gebruik geen antivriesmiddelen. Deze middelen kunnen het cassettoilet beschadigen.
- Dit toilet is voor een personengewicht van max. 150 kg bestemd.

## 2.2 Gebruik van sanitaire producten



### VOORZICHTIG!

- Bewaar sanitaire producten buiten het bereik van kinderen.



### LET OP!

- Neem voor het gebruik van sanitaire middelen bij het gebruik en de reiniging van het toilet de gebruiksinstructies op de verpakking in acht.



### INSTRUCTIE

- Gebruikelijk toiletpapier kan het toilet verstoppen. Gebruik een speciaal, snel oplosbaar toiletpapier. De fabrikant adviseert Dometic COMFORT CARE.

### 3 Toebehoren

Als toebehoren verkrijgbaar (niet bij de levering inbegrepen):

#### Beschrijving

Automatisch sluitsysteem („Autoclose“-functie)  
(bij Saneo C bij de levering inbegrepen)

Touch-Switch-bedieningselement

Tact-Switch-bedieningselement

Op de website van Dometic (zie achterzijde) vindt u informatie over het toebehoren.

### 4 Reglementair gebruik

Dit toilet is bestemd voor de inbouw en het gebruik in vrijetijdsvoertuigen, zoals caravans of campers.

### 5 Technische beschrijving

Het cassettetoilet Saneo bestaat uit een in het voertuig geïnstalleerd toilet en een uitneembare, verrijdbare cassette als vuilwatertank. De cassette is vanaf buiten door een deur bereikbaar. Afhankelijk van het model krijgt het toilet het spoelwater uit een in de behuizing geïntegreerde tank of uit de verswatertank van het voertuig.

Het toilet is beschikbaar in de volgende uitvoeringen:






- **Saneo B, Saneo C:** vrijstaand, zonder watertank, zonder console
- **Saneo BS, Saneo CS:** vrijstaand, zonder watertank, met console
- **Saneo BW, Saneo CW:** vrijstaand, met watertank in de console
- **Saneo BLP, Saneo CLP:** vrijstaand, zonder watertank, lage console

Saneo C-modellen kunnen voorzien zijn van een intervalspoeling (optioneel). Hierbij wordt water in korte stoten in de toiletpot gepompt om een verbeterde spoeling en reiniging te bereiken. De spoeling en reiniging zijn afhankelijk van de ter beschikking gestelde waterhoeveelheid in het voertuig.

## 5.1 Beschrijving van de componenten

Pos. in afb. 1, pagina 2	Omschrijving
1	Behuizing voor cassetetank
2	Afvoerschuiif voor de toiletspot
3	<b>Saneo B-modellen:</b> Toiletspot van kunststof <b>Saneo C-modellen:</b> Toiletspot van keramiek
4	Zitting (deksel/bril): <b>Saneo B-modellen:</b> Zonder automatisch sluitsysteem („Autoclose“-montagekit optioneel) <b>Alleen Saneo C-modellen:</b> Met automatisch sluitsysteem („Autoclose“)
5	Console
6	Bedieningspaneel met vulstandindicatie en spoeling
7	<b>Alleen Saneo BW/CW:</b> geïntegreerde verswatertank
8	<b>Alleen Saneo BW/CW:</b> tankklep
9	Afvoerpijp
10	Schuiif op de cassette
11	Ontluchtingsknop voor lediging
12	Cassetetank
13	Uitschuiifbare handgreep
14	Servicedeur

## 5.2 Bedienings- en indicatie-elementen

Positie in afb. <b>2</b> , pagina 2	Omschrijving
1	 Toets „Spoelen“
2	 Indicatie „Cassettetank verwijderd“
3	 Indicatie „Verswatertank vullen“ (bij gebruik van de tank van het voertuig niet altijd aangesloten)
4	 Indicatie „Cassettetank 3/4 vol“
5	 Indicatie „Cassettetank vol“

## 6 Toilet gebruiken



### INSTRUCTIE

- Voordat u het toilet in gebruik neemt, dient u het aan de binnen- en buitenzijde met een zachte doek en lauwwarm water met een mild reinigingsmiddel te reinigen (zie ook hoofdstuk „Reiniging en onderhoud“ op pagina 99).
- U dient de afdichtingen van uw toilet regelmatig te reinigen en in te vetten (zie hoofdstuk „Reiniging en onderhoud“ op pagina 99).

### 6.1 Sanitaire producten

Sanitaire producten voor de vuilwatertank breken fecaliën af en voorkomen onaangename geurtjes.

De fabrikant adviseert:

- Dometic POWER CARE TABS
- Dometic GREEN CARE TABS

Neem bij het gebruik van sanitaire producten de gebruiksinstructies op de verpakking in acht.

**INSTRUCTIE**

Gebruikelijk toiletpapier kan het toilet verstopen. Gebruik een speciaal, snel oplosbaar toiletpapier. De fabrikant adviseert Dometic COMFORT CARE.

Op de website van Dometic (zie achterzijde) vindt u meer informatie over het toebehoren.

## 6.2 Cassettetank voorbereiden

### Cassettetank verwijderen

Ga als volgt te werk (afb. **3**, pagina 2):

- Open de servicedeur.
- Druk de hendel naar boven om de cassettetank te ontgrendelen.
- Trek de cassettetank uit de cassettebehuizing. Bij het uittrekken moet een weerstand overwonnen worden.

**INSTRUCTIE**

Als de cassette is verwijderd, is de schuifgreep op de toiletbehuizing vergrendeld. De cassette kan alleen bij een gesloten schuif worden aangebracht. Trek niet aan de schuifgreep als de cassette verwijderd is.

### Sanitair product toevoegen

- Zet de cassettetank rechtop.
- Draai de afvoerpijp ca. 90° naar boven (afb. **4**, pagina 3).

**INSTRUCTIE**

Draai de afvoerpijp niet verder dan 90°, anders kan deze losraken (afb. **4**, pagina 3).

- Draai de afsluitkap eraf (afb. **5**, pagina 3).
- Plaats de afsluitkap op de cassette (afb. **5**, pagina 3).
- Doe via de afvoerpijp een sanitair product in de cassettetank (afb. **6**, pagina 3). Neem de gebruiksinstructies van het sanitaire product in acht.

## Cassettetank in de cassettebehuizing schuiven



### LET OP!

De cassetetank moet gemakkelijk in de cassettebehuizing kunnen worden geschoven. Zorg ervoor dat de cassetetank niet tegen andere voorwerpen of componenten stoot.

- Schuif de cassetetank tot de aanslag in de cassettebehuizing.
- ✓ De vergrendeling van de cassetetank sluit bij het inschuiven automatisch.
- Controleer of de cassetetank goed vastzit.
- Sluit en vergrendel de servicedeur.

## 6.3 Verswatertank vullen

- Vul de verswatertank via de vulaansluiting aan de buitenkant van het voertuig. De hoeveelheid is afhankelijk van de gebruikte tank (geïntegreerde tank bij de modellen Saneo BW en Saneo CW = 7 liter).

## 6.4 Toilet gebruiken

De toiletzitting is in de geopende 90°-positie beveiligd tegen dichtvallen. Bij modellen met automatisch sluitsysteem („Autoclose“) gaat de zitting langzaam naar beneden als u er een tikje tegen geeft (afb. **7**, pagina 4).




### INSTRUCTIE

De schuif moet tijdens het rijden gesloten zijn en er mag zich geen vloeistof boven de schuif bevinden.

- Druk voor gebruik op de spoeltoets **1** om het oppervlak van de pot te bevochtigen. Een spoelbeurt is beperkt tot 20 seconden, onafhankelijk van hoe lang de toets wordt ingedrukt. Het schakelen van het relais kan hoorbaar zijn.
- Trek de schuif (afb. **8**, pagina 4) naar voren. Laat de schuif tijdens het gebruik geopend.
- Druk na gebruik opnieuw op de spoeltoets **1** om de pot te spoelen.
- Sluit de schuif (afb. **9**, pagina 4).

Een lichte weerstand bij het sluiten van de schuif is voelbaar vanaf een afstand van ca. 10 mm tot de behuizing. De schuif is gesloten als de schuifgreep afsluit met de toiletbehuizing (afb. **9**, pagina 4). Anders kan de cassetetank niet worden verwijderd.



De cassetetank heeft een capaciteit van 16 l. Als de indicatie  gaat branden, kan het toilet nog slechts een paar keer worden gebruikt.



### INSTRUCTIE

Als de cassette voor 3/4 gevuld is, is het gebruik alleen nog met open schuif mogelijk. In schuine positie (bijv. permanent hellen van het voertuig) mag de cassette slechts 3/4 gevuld zijn. Overstroming door de ontluchting is mogelijk.

## 6.5 Cassetetank legen

Leeg de cassetetank als de indicatie  brandt.

- Verwijder de cassetetank (hoofdstuk „Cassetetank verwijderen“ op pagina 95).
- Druk op de ontgrendelingstoets in het midden van de handgreep en trek de handgreep er tot de aanslag uit (afb. **10**, pagina 5).



### LET OP!

- Schud de cassetetank niet krachtig.
- Hang de cassetetank voor het transport niet achter een fiets of een ander voertuig.
- Leg geen zware voorwerpen op de cassetetank tijdens het transport.

De behuizing en de wielen worden hierdoor beschadigd.

- Breng de tank naar de dichtstbijzijnde afvoerplaats.
- Druk op de ontgrendelingstoets van de handgreep en schuif de handgreep terug in de cassette.
- Zet de cassetetank rechtop en draai de afvoerpijp 90° naar boven (afb. **4**, pagina 3).



### INSTRUCTIE

Draai de afvoerpijp niet verder dan 90°, anders kan deze losraken.

- Draai de afsluitkap eraf (afb. **5**, pagina 3).
- Plaats de afsluitkap op de cassette (afb. **5**, pagina 3).
- Houd de cassetetank met één hand aan de handgreep vast (afb. **11** 1, pagina 5) en met de andere hand aan de behuizing (afb. **11** 3, pagina 5), zodat u de ontluchtingsknop (afb. **11** 2, pagina 5) tijdens het legen kunt indrukken.

- ▶ Druk op de ontluchtingsknop als de afvoerpijp naar beneden wijst.
- ✓ De tank leegt gelijkmatig en zonder spetteren.
- ▶ Spoel de cassetetank na het legen zorgvuldig uit met water.
- ▶ Doe een sanitair product in de cassette (hoofdstuk „Sanitair product toevoegen“ op pagina 95).
- ▶ Verwijder grove verontreinigingen van de wielen van de cassetetank om krassen in de cassettebehuizing te voorkomen.

**LET OP!**

Reinig de cassetetank vanbinnen niet met een hogedrukreiniger. De vlotter voor de vulstandindicatie kan hierdoor beschadigd raken.

- ▶ Schuif de cassetetank in de cassettebehuizing (hoofdstuk „Cassetetank in de cassettebehuizing schuiven“ op pagina 96).

## 6.6 Toiletzitting positioneren

Het bovenste deel van het toilet is traploos 180° draaibaar, maar begrensd bij  $\pm 90^\circ$  (afb. **12**, pagina 6).

## 6.7 Gebruik in de winter

**LET OP!**

Gebruik geen antivriesmiddelen. Antivriesmiddelen kunnen het cassettoilet beschadigen.

U kunt het cassettoilet ook in de winter gebruiken, zolang toilet en cassetetank zich in een vorstvrije ruimte bevinden.

Als dit niet het geval is, leeg dan de verswatertank, de cassetetank en de waterleiding van de verswatertoevoer.

Hierdoor wordt schade door vorst vermeden (hoofdstuk „Buitenbedrijfstelling“ op pagina 99).

## 6.8 Buitenbedrijfstelling

Leeg de verswatertank en het waterleidingsstelsel volledig als u het toilet gedurende langere tijd buiten bedrijf stelt.

- Reinig het toilet zorgvuldig (hoofdstuk „Reiniging en onderhoud“ op pagina 99).
- Druk op de spoelknop tot zich geen water meer in de leidingen bevindt.
- Onderbreek de stroomvoorziening van het toilet.
- Leeg vervolgens de cassetetank en spoel deze zorgvuldig uit. Reinig de cassette. Sluit de afvoerpijp niet af om de cassetetank te laten drogen.
- Reinig en smeer alle afdichtingen en bewegende delen van het toilet en de cassetetank (hoofdstuk „Reiniging en onderhoud“ op pagina 99) en herhaal deze maatregel voordat u het toilet weer in gebruik neemt.

## 7 Reiniging en onderhoud



### VOORZICHTIG!

Reinigingsmiddelen voor het toilet mogen geen chloor of alcohol bevatten!



### LET OP!

- Om veranderingen van het materiaal te voorkomen, geen scherpe, korrelige of sodahoudende reinigingsmiddelen (geen schuurmiddelen) gebruiken.
- Gebruik geen politoer voor de reiniging.



### INSTRUCTIE

Gebruik voor de regelmatige reiniging van de toiletpot een mild en kleurloos reinigingsmiddel.

- Reinig het toilet regelmatig aan de binnen- en buitenzijde met een zachte doek en lauwwarm water met een mild reinigingsmiddel.
- Spoel vervolgens de oppervlakken af met schoon water.
- Reinig en smeer regelmatig alle afdichtingen van het toilet en de cassetetank. Voer deze acties bij veelvuldig gebruik maandelijks of na 3 – 5 ledigingen van de cassette uit. Gebruik vet of spray op basis van silicone.

De fabrikant adviseert:

- Vet: OKS® 1110
- Siliconespray: OKS® 1111

## 7.1 Spoelsproeier reinigen

- Verwijder de afdekking van de spoelsproeier (afb. **13**, pagina 6).
- Verwijder vuil of afzettingen met een doek of een zachte borstel.
- Plaats de afdekking op de spoelsproeier (afb. **14**, pagina 6).

## 7.2 Schuif invetten



### VOORZICHTIG!

Er bestaat knelgevaar wanneer de schuif bij het reinigen of invetten wordt gesloten (afb. **15**, pagina 6).

De schuif kan gemakkelijk worden bewogen als hij regelmatig wordt ingevet.

### Schuifstangen invetten

- Spuit de stangen van de schuif in met siliconespray (afb. **16**, pagina 7).

### Schuifafdichting invetten

- Vet de twee afdichtingen in het onderste gedeelte van de toiletpot in (afb. **17**, pagina 7).

## 7.3 Cassetteafdichting invetten



### VOORZICHTIG!

Er bestaat knelgevaar wanneer de schuif bij het reinigen of invetten wordt gesloten.

- Verwijder de cassetetank en plaats deze op een stevige ondergrond.
- Trek de afdekking (afb. **18** 1, pagina 7) naar achteren, zodat de afdichting toegankelijk is.
- Vet de cassetteafdichting (afb. **18** 2, pagina 7) in het bovenste gedeelte gelijkmatig in met vet op basis van silicone. De afdekking blijft hierdoor beweeglijk.
- Sluit de afdekking (afb. **19**, pagina 8).

## 7.4 Bajonetsluiting reinigen en bajonetafdichting invetten

- ▶ Maak de bajonetsluiting van de cassette los (afb. **20**, pagina 8). De bajonetsluiting kan in de leveringstoestand en na langere stilstand slechts moeilijk worden losgemaakt.
- ▶ Reinig de bajonetsluiting (afb. **21**, pagina 8) compleet. De sluiting moet in het achterste gedeelte iets worden opgetild.
- ▶ Vet de bajonetafdichtingen (afb. **22** 2, 3, pagina 9) gelijkmatig in met siliconevet.
- ▶ Breng de bajonetsluiting weer aan (afb. **23**, pagina 9).

## 7.5 O-ring van de cassetteventilatie invetten

- ▶ Maak de adapter (afb. **24** 1, pagina 9) van de cassette los.
- ▶ Vet alleen de aangebrachte O-ring (afb. **24** 2, pagina 9) in met siliconevet.

# 8 Onderhoud

In dit hoofdstuk zijn onderhoudswerkzaamheden beschreven die door de gebruiker mogen worden uitgevoerd. Laat alle andere onderhouds- en reparatiewerkzaamheden door geschoold personeel uitvoeren.

## 8.1 Reserveonderdelen

Reserveonderdelen kunnen bij de klantenservice in het desbetreffende land verkregen worden.

Al het toebehoren is verkrijgbaar via de vakhandel. Neem bij vragen direct contact op met uw vakhandel of servicepartner.

## 8.2 Casetteafdichting vervangen

- ▶ Trek de afdekking naar achteren, zodat de afdichting toegankelijk is (afb. **25**, pagina 10).
- ▶ Demonteer de steuning en de afdichting (afb. **25**, pagina 10).



### LET OP!

De afdichting moet gelijkmatig in de opening liggen, opdat de cassette dicht is en de schuif gemakkelijk kan worden bewogen.

- ▶ Plaats de nieuwe afdichting (afb. **26**, pagina 10).
- ▶ Plaats de steuning in de daarvoor bestemde groef van de cassetteafdichting (afb. **27**, pagina 10).



### VOORZICHTIG! Knelgevaar!

Grijp niet in de opening als u de afdekking sluit.

- ▶ Sluit de afdekking (afb. **19**, pagina 8).

## 8.3 Bajonetafdichting vervangen

- ▶ Maak de bajonetsluiting van de cassette los (afb. **20**, pagina 8). De bajonetsluiting kan in de leveringstoestand en na langere stilstand slechts moeilijk worden losgemaakt.
- ▶ Plaats de nieuwe afdichting (afb. **22** 2, pagina 9).
- ▶ Let op dat de nieuwe afdichting gelijkmatig aangebracht is (afb. **22** 2, pagina 9).
- ▶ Breng de bajonetsluiting weer aan (afb. **23**, pagina 9).

## 8.4 Zekering in de bedieningseenheid vervangen



### VOORZICHTIG!

- Voor aanvang de spanningsvoorziening uitschakelen!
- Trek de bedieningseenheid voorzichtig uit de wandopening. Er bestaat gevaar voor letsel door terugspringende veren!

- ▶ Til de bedieningseenheid met een geschikt gereedschap op en trek deze vervolgens uit de console resp. wand (afb. **28**, pagina 11, afb. **29**, pagina 11).
- ▶ Vervang de zekering (autozekering: 10 A) aan de onderzijde van de bedieningseenheid (afb. **30**, pagina 11).

## 8.5 Wielen van de cassetetank vervangen

De wielen van de cassetetank kunnen indien nodig afzonderlijk worden vervangen:

- ▶ Demonteer het oude wiel zoals weergegeven (afb. **31**, pagina 11).
- ▶ Monteer het nieuwe wiel zoals weergegeven (afb. **32**, pagina 11).
- ▶ Controleer of het wiel soepel draait.

## 8.6 Deksel en bril demonteren/vervangen



### INSTRUCTIE

De fabrikant kan niet aansprakelijk worden gesteld voor schade die ontstaat door een verkeerde montage.

Ga als volgt te werk (afb. **33**, pagina 12):

- ▶ Maak de afstandshouder (**2**) los door deze met een sleufschroevendraaier uit zijn positie te tillen.
- ▶ Til de afdekking (**1**) voorzichtig met een sleufschroevendraaier uit de bevestiging en verwijder deze.
- ▶ Verwijder eventueel de componenten van het automatische sluitsysteem met de markeringen „CW” en „CCW”.
- ▶ Open het deksel.
- ▶ Pak het deksel boven de scharnieren (**3**) met beide handen vast en buig het licht in de richting van de pot door om het los te maken.
- ▶ Open de bril.
- ▶ Pak de bril boven de scharnieren (**3**) met beide handen vast en buig hem licht in de richting van de pot door om hem los te maken.

## 8.7 Automatisch sluitsysteem monteren/vervangen

Het automatisch sluitsysteem is bij Saneo Comfort-modellen geïntegreerd. Bij Saneo Basic-modellen kan deze functie achteraf gemonteerd worden.



### INSTRUCTIE

De fabrikant kan niet aansprakelijk worden gesteld voor schade die ontstaat door een verkeerde montage.

- Til de afdekking (afb. **33** 1, pagina 12) voorzichtig met een sleufschroevendraaier uit de bevestiging en verwijder deze.
- Open deksel en bril.
- Verwijder eventueel de componenten van het automatische sluitsysteem met de markeringen „CW” en „CCW”.
- Plaats de nieuwe componenten van het automatische sluitsysteem (afb. **34**, pagina 13).
- Sluit het deksel door er een tikje tegen te geven.
- ✓ Bril en deksel gaan langzaam dicht.
- Plaats de afdekking (afb. **33** 1, pagina 12) in de bevestiging.

## 9 Wat te doen bij storingen?

Dometic biedt een klantenservicenet in heel Europa aan. Geautoriseerde servicepunten vindt u op het internet op de website **dometic.com**.

Noteer voordat u contact opneemt met de klantenservice de volgende gegevens van het typeplaatje:

- Model (Model Designation)
- Productnummer (Product Number)
- Serienummer (Serial No.)
- MLC-code (MLC)



### INSTRUCTIE

U vindt het typeplaatje in de cassettebehuizing na het verwijderen van de cassette.



Storing	Mogelijke oorzaak	Oplossing
Spoeeling werkt niet meer.	Zekering defect. Cassette niet ingeschoven. Cassette vol. Stroomvoorziening niet aanwezig. Elektronica defect. Pomp defect. Magneetklep defect. Zeef van magneetklep is vervuild.	Zekering vervangen (zie hoofdstuk „Zekering in de bedieningseenheid vervangen” op pagina 102). Bij herhaaldelijke onderbreking de elektrische aansluitingen en verbindingen controleren! Defecte onderdelen vervangen.
Cassettetank lek.	Afdichting versleten.	Cassetteafdichting vervangen (zie hoofdstuk „Cassetteafdichting vervangen” op pagina 102).
Geen vulstandindicatie.	Vlotter in de cassettetank is vastgeklemd of is door toilet-papier vastgeraakt.	Vlotter in de cassette reinigen. <b>Geen hogedrukreiniger gebruiken!</b>
Cassettetank kan niet volledig worden ingeschoven. Schuifgreep kan worden geopend, hoewel de cassette is verwijderd.	Onderste schuifflens is losgeraakt.	Schuifflens in correcte positie drukken (afb. <b>35</b> , pagina 13).
Cassette kan niet worden verwijderd.	Schuifgreep is geopend.	Schuifgreep sluiten.
Cassette vergrendelt niet in de cassettebehuizing.	Cassettevergrendeling is defect.	Cassettevergrendeling vervangen.
Cassette kan worden verwijderd, hoewel de schuifgreep open is.	Vergrendelingsopening van de cassette is defect.	Bajonetsluiting op de cassette vervangen.
Schuifgreep kan niet worden geopend.	Cassette is niet ingeschoven.	Cassette inschuiven.

## 10 Garantie

De wettelijke garantieperiode is van toepassing. Als het product defect is, wendt u zich tot uw speciaalzaak of tot het filiaal van de fabrikant in uw land (adressen zie achterkant van de handleiding).

Voor de afhandeling van de reparatie of garantie dient u de volgende documenten mee te sturen:

- een kopie van de factuur met datum van aankoop,
- reden van de klacht of een beschrijving van de storing.



## 11 Afvoer

- Laat het verpakkingsmateriaal indien mogelijk recycleren.



Als u het product definitief buiten bedrijf stelt, informeer dan bij het dichtstbijzijnde recyclingcentrum of uw speciaalzaak naar de betreffende afvoervoorschriften.

## 12 Technische gegevens

	<b>Dometic Saneo</b>
Voedingsspanning:	12 V $\overline{=}$
Stroomverbruik:	max. 2 A bij interne pomp max. 10 A bij externe pomp
Max. personengewicht:	150 kg
Afmetingen:	zie gegevens in montagehandleiding
Bedrijfstemperatuur:	0 °C tot +50 °C
Inhoud:	16 l (cassettetank) 7 l (verswatertank, optioneel)
Keurmerk:	  NI ECE R10



### INSTRUCTIE

Watervoorziening (pomp aan voertuigzijde):

Het toilet heeft aan de voertuigzijde minstens 7 l/min aan de uitgang van de slangaansluiting van het toilet nodig om een voldoende spoelcapaciteit van minstens 5 l/min te garanderen.

De actuele EG-conformiteitsverklaring voor uw apparaat ontvangt u op de desbetreffende productpagina van [dometic.com](http://dometic.com) of direct via de fabrikant (zie achterzijde).

**GERMANY****Dometic WAECO International GmbH**

Hollefeldstraße 63 · D-48282 Emsdetten  
 ☎ +49 (0) 2572 879-195 · 📠 +49 (0) 2572 879-322  
 Mail: info@dometic-waeco.de

**dometic.com****AUSTRALIA****Dometic Australia Pty. Ltd.**

1 John Duncan Court  
 Varsity Lakes QLD 4227  
 ☎ 1800 212121  
 📠 +61 7 55076001  
 Mail: sales@dometic.com.au

**AUSTRIA****Dometic Austria GmbH**

Neudorferstraße 108  
 A-2353 Guntramsdorf  
 ☎ +43 2236 908070  
 📠 +43 2236 90807060  
 Mail: info@dometic.at

**BENELUX****Dometic Branch Office Belgium**

Zincstraat 3  
 B-1500 Halle  
 ☎ +32 2 3598040  
 📠 +32 2 3598050  
 Mail: info@dometic.be

**BRAZIL****Dometic DO Brasil LTDA**

Avenida Paulista 1754, conj. 111  
 SP 01310-920 Sao Paulo  
 ☎ +55 11 3251 3352  
 📠 +55 11 3251 3362  
 Mail: info@dometic.com.br

**DENMARK****Dometic Denmark A/S**

Nordensvej 15, Taulov  
 DK-7000 Fredericia  
 ☎ +45 75585966  
 📠 +45 75586307  
 Mail: info@dometic.dk

**FINLAND****Dometic Finland OY**

Mestariitie 4  
 FIN-01730 Vantaa  
 ☎ +358 20 7413220  
 📠 +358 9 7593700  
 Mail: info@dometic.fi

**FRANCE****Dometic SAS**

ZA du Pré de la Dame Jeanne  
 B.P. 5  
 F-60128 Plailly  
 ☎ +33 3 44633525  
 📠 +33 3 44633518  
 Mail: vehiculesdeloisirs@dometic.fr

**HONG KONG****Dometic Group Asia Pacific**

Suites 2207-11 / 22/F - Tower 1  
 The Gateway - 25 Canton Road,  
 Tsim Sha Tsui - Kowloon  
 ☎ +852 2 4611386  
 📠 +852 2 4665553  
 Mail: info@waeco.com.hk

**HUNGARY****Dometic Zrt. Sales Office**

Kerekgyártó u. 5.  
 H-1147 Budapest  
 ☎ +36 1 468 4400  
 📠 +36 1 468 4401  
 Mail: budapest@dometic.hu

**ITALY****Dometic Italy S.r.l.**

Via Virgilio, 3  
 I-47122 Forlì (FC)  
 ☎ +39 0543 754901  
 📠 +39 0543 754983  
 Mail: vendite@dometic.it

**JAPAN****Dometic KK**

Maekawa-Shibaura, Bldg. 2  
 2-13-9 Shibaura Minato-ku  
 Tokyo 108-0023  
 ☎ +81 3 5445 3333  
 📠 +81 3 5445 3339  
 Mail: info@dometic.jp

**MEXICO****Dometic Mx, S. de R. L. de C. V.**

Circuito Médicos No. 6 Local 1  
 Colonia Ciudad Satélite  
 CP 53100 Naucalpan de Juárez  
 Estado de México  
 ☎ +52 55 5374 4108  
 📠 +52 55 5393 4683  
 Mail: info@dometic.com.mx

**NETHERLANDS****Dometic Benelux B.V.**

Ecustraet 3  
 NL-4879 NP Etten-Leur  
 ☎ +31 76 5029000  
 📠 +31 76 5029019  
 Mail: info@dometic.nl

**NEW ZEALAND****Dometic New Zealand Ltd.**

PO Box 12011  
 Penrose  
 Auckland 1642  
 ☎ +64 9 622 1490  
 📠 +64 9 622 1573  
 Mail: customerservices@dometic.co.nz

**NORWAY****Dometic Norway AS**

Østerøyveien 46  
 N-3232 Sandefjord  
 ☎ +47 33428450  
 📠 +47 33428459  
 Mail: firmapost@dometic.no

**POLAND****Dometic Poland Sp. z o.o.**

Ul. Puławska 435A  
 PL-02-801 Warszawa  
 ☎ +48 22 414 3200  
 📠 +48 22 414 3201  
 Mail: info@dometic.pl

**PORTUGAL****Dometic Spain, S.L.**

Branch Office em Portugal  
 Rot. de São Gonçalo nº 1 – Esc. 12  
 2775-399 Carcavelos  
 ☎ +351 219 244 173  
 📠 +351 219 243 206  
 Mail: info@dometic.pt

**RUSSIA****Dometic RUS LLC**

Komsomolskaya square 6-1  
 RU-107140 Moscow  
 ☎ +7 495 780 79 39  
 📠 +7 495 916 56 53  
 Mail: info@dometic.ru

**SINGAPORE****Dometic Pte Ltd**

18 Boon Lay Way 06-140 Trade Hub 21  
 Singapore 609966  
 ☎ +65 6795 3177  
 📠 +65 6862 6620  
 Mail: dometic@dometic.com.sg

**SLOVAKIA****Dometic Slovakia s.r.o. Sales Office Bratislava**

Nádražná 34/A  
 900 28 Ivanka pri Dunaji  
 ☎/📠 +421 2 45 529 680  
 Mail: bratislava@dometic.com

**SOUTH AFRICA****Dometic (Pty) Ltd.****Regional Office****South Africa & Sub-Saharan Africa**

2 Avalon Road  
 West Lake View Ext 11  
 Modderfontein 1645  
 Johannesburg  
 ☎ +27 11 4504978  
 📠 +27 11 4504976  
 Mail: info@dometic.co.za

**SPAIN****Dometic Spain S.L.**

Avda. Sierra del Guadarrama, 16  
 E-28691 Villanueva de la Cañada  
 Madrid  
 ☎ +34 91 833 60 89  
 📠 +34 900 100 245  
 Mail: info@dometic.es

**SWEDEN****Dometic Scandinavia AB**

Gustaf Melins gata 7  
 S-42131 Västra Frölunda  
 ☎ +46 31 7341100  
 📠 +46 31 7341101  
 Mail: info@dometicgroup.se

**SWITZERLAND****Dometic Switzerland AG**

Riedackerstrasse 7a  
 CH-8153 Rümlang  
 ☎ +41 44 8187171  
 📠 +41 44 8187191  
 Mail: info@dometic.ch

**UNITED ARAB EMIRATES****Dometic Middle East FZCO**

P. O. Box 17860  
 S-D 6, Jebel Ali Freezone  
 Dubai  
 ☎ +971 4 883 3858  
 📠 +971 4 883 3868  
 Mail: info@dometic.ae

**UNITED KINGDOM****Dometic UK Ltd.**

Dometic House, The Brewery  
 Blandford St. Mary  
 Dorset DT11 9LS  
 ☎ +44 344 626 0133  
 📠 +44 344 626 0143  
 Mail: customerservices@dometic.co.uk

**USA****Dometic RV Division**

1120 North Main Street  
 Elkhart, IN 46515  
 ☎ +1 574-264-2131