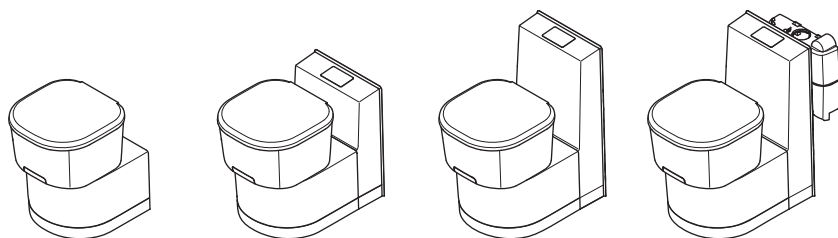
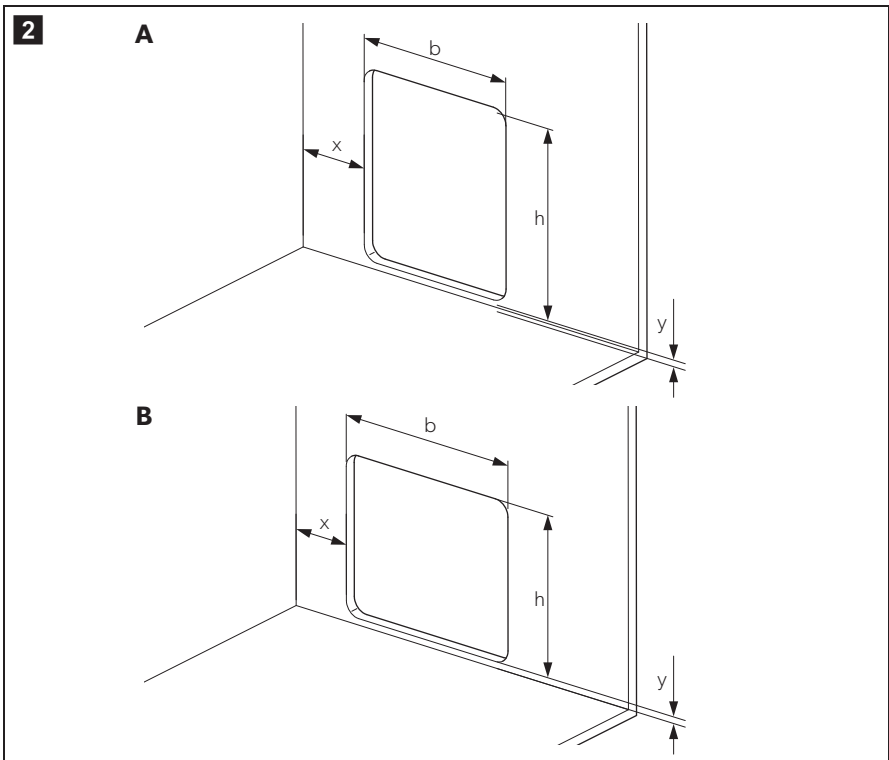
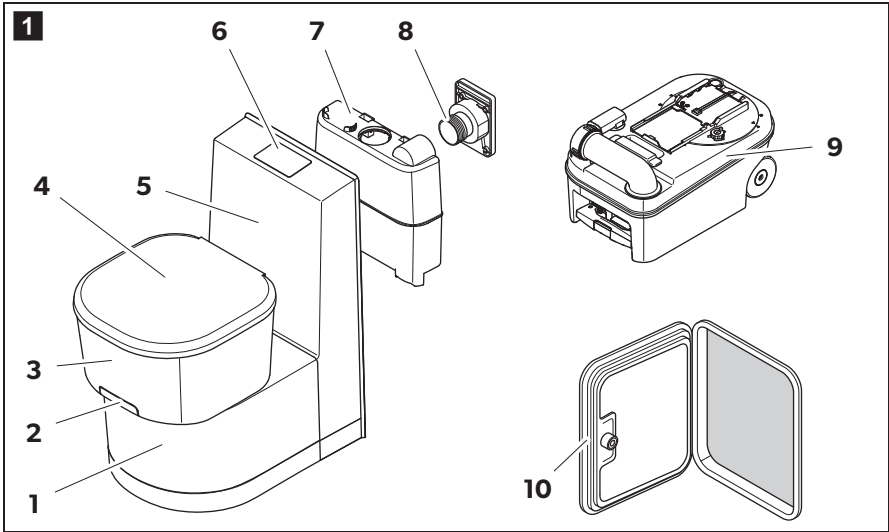


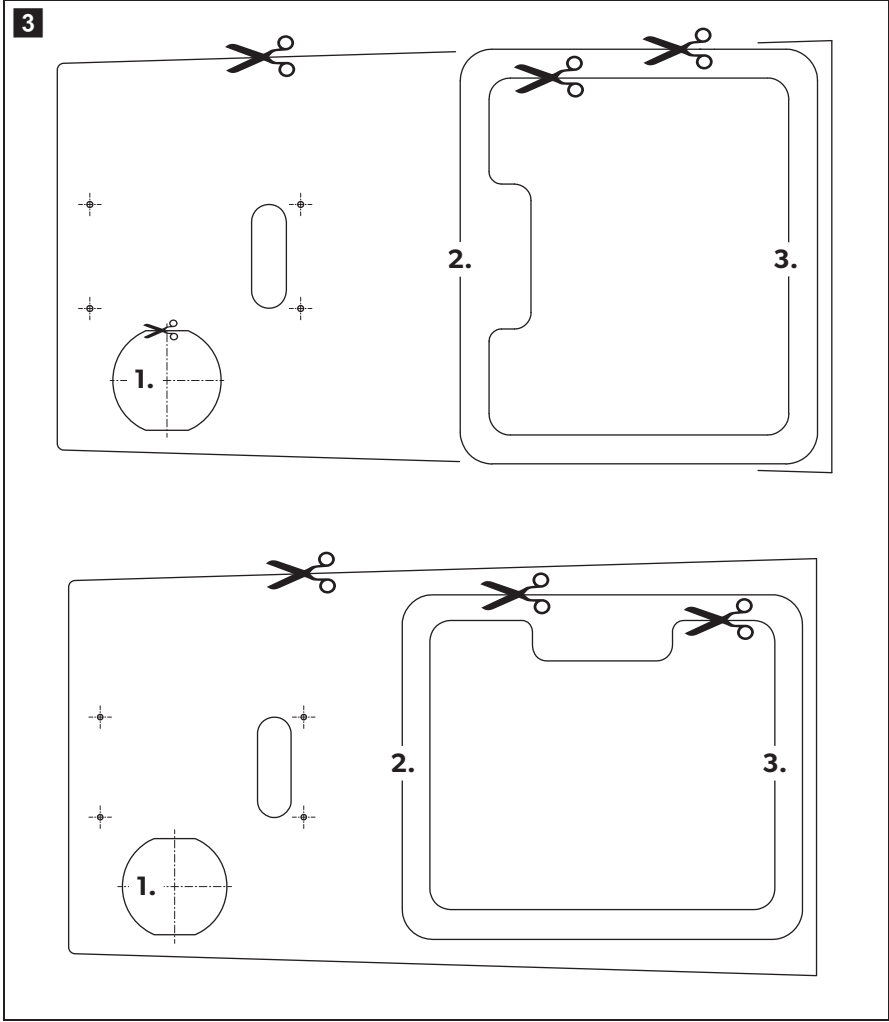
↗ DOMETIC SANITATION Saneo



Saneo[®] B, Saneo[®] C, Saneo[®] BLP, Saneo[®] CLP, Saneo[®] BS, Saneo[®] CS,
Saneo[®] BW, Saneo[®] CW

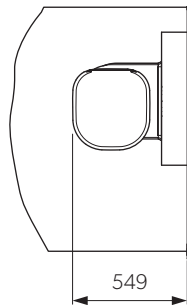
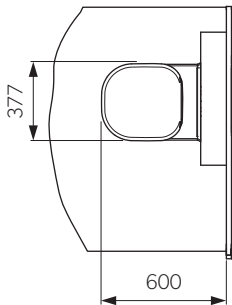
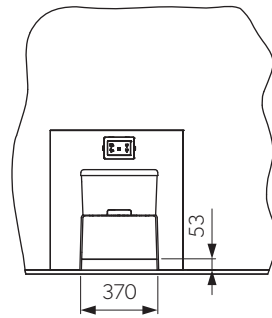
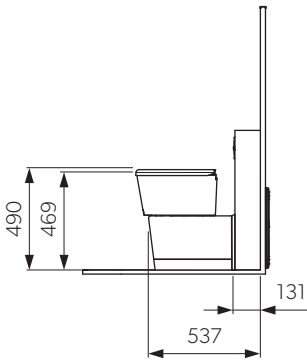
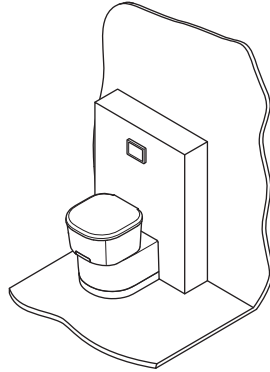
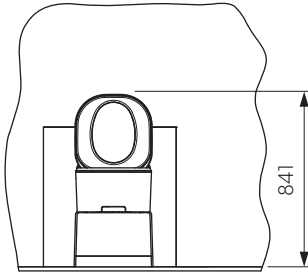
EN	Cassette toilet Installation Manual.....	19
DE	Kassettentoilette Montageanleitung.....	31
FR	Toilettes à cassette Instructions de montage.....	44
IT	Toilette a cassetta Indicazioni di montaggio.....	57
NL	Cassettetoilet Montagehandleiding.....	70





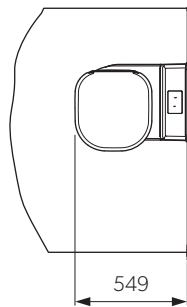
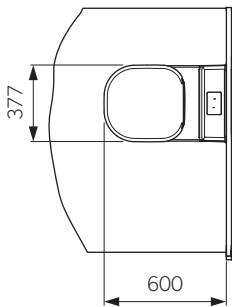
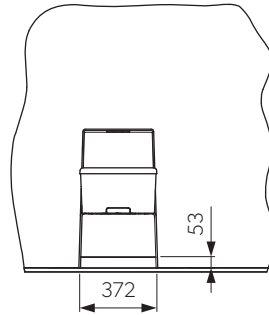
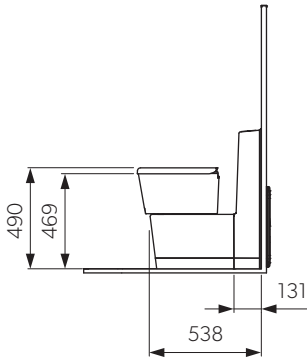
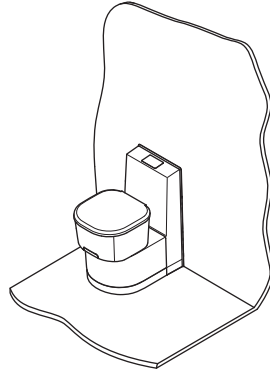
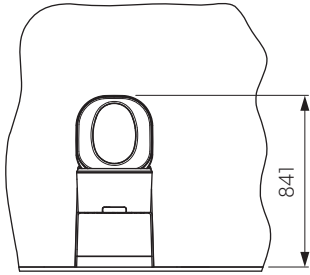
4

Saneo B, C



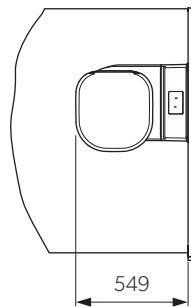
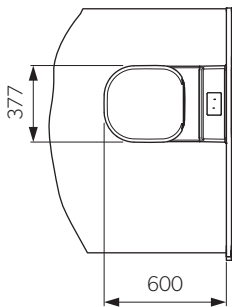
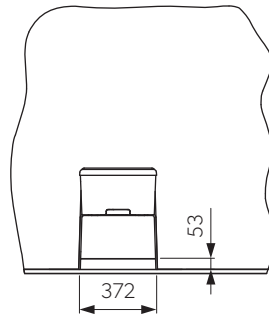
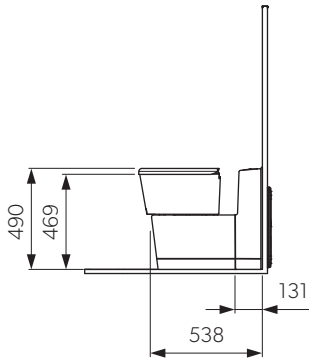
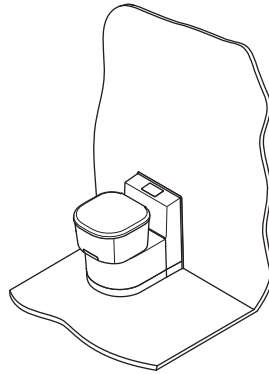
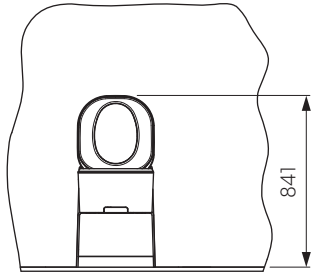
5

Saneo BS, BW
Saneo CS, CW

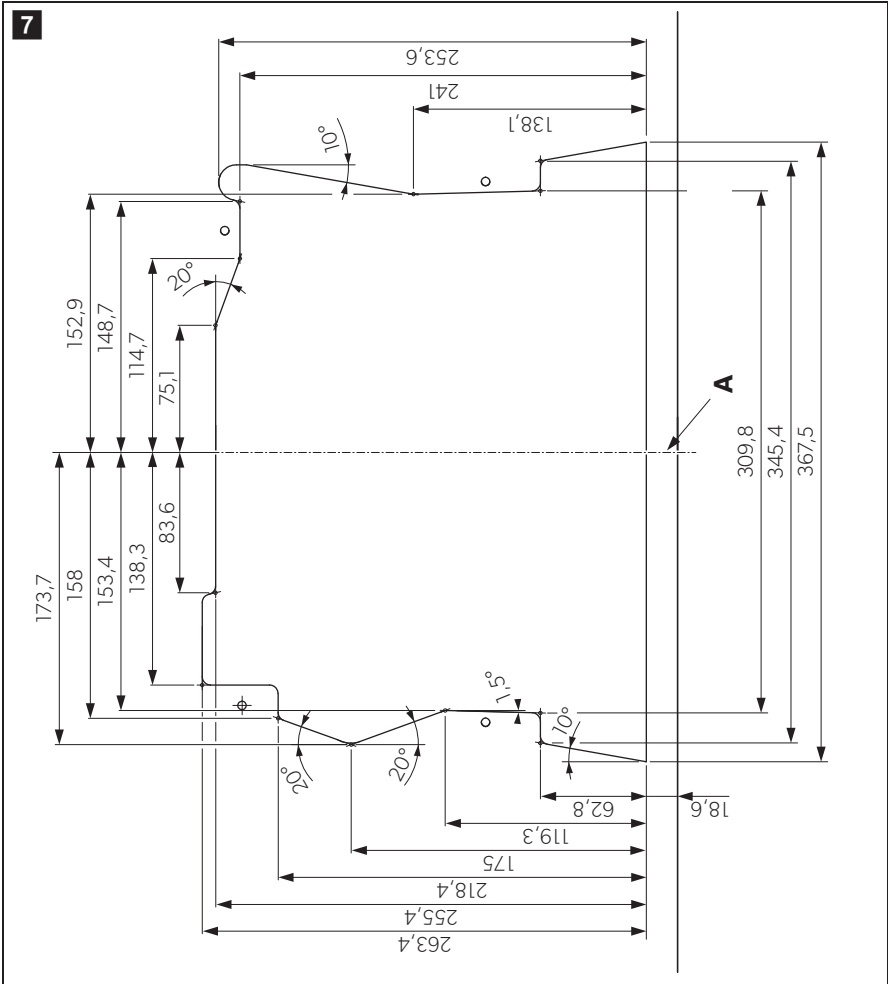


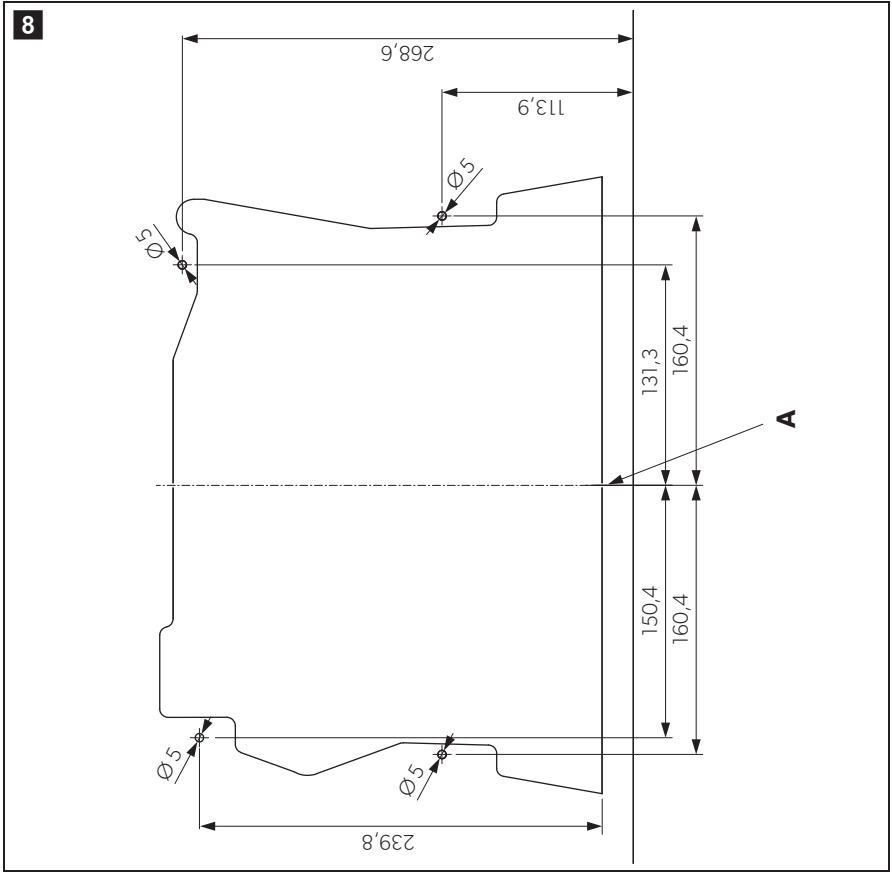
6

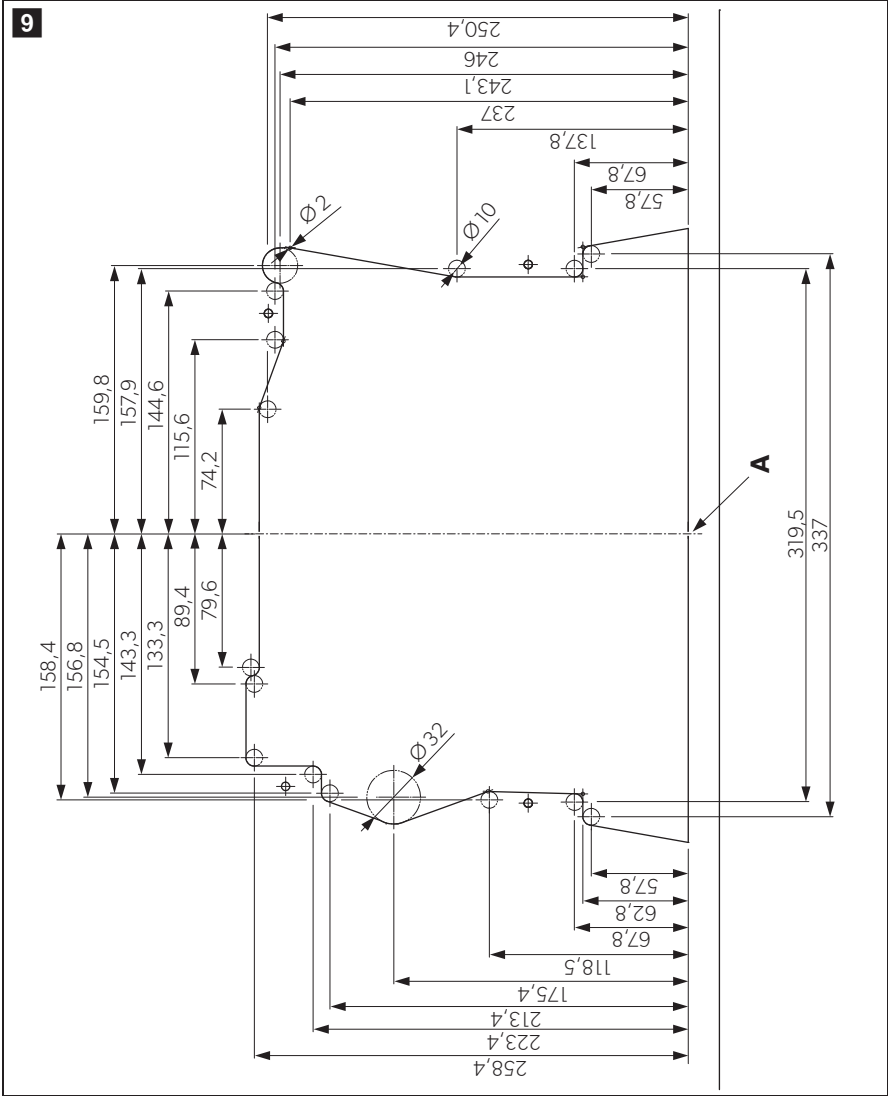
Saneo BLP, CLP

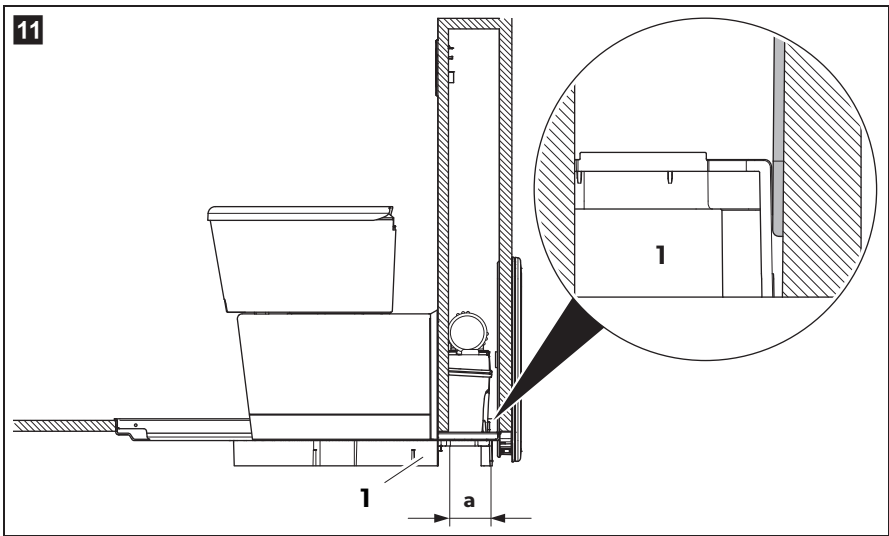
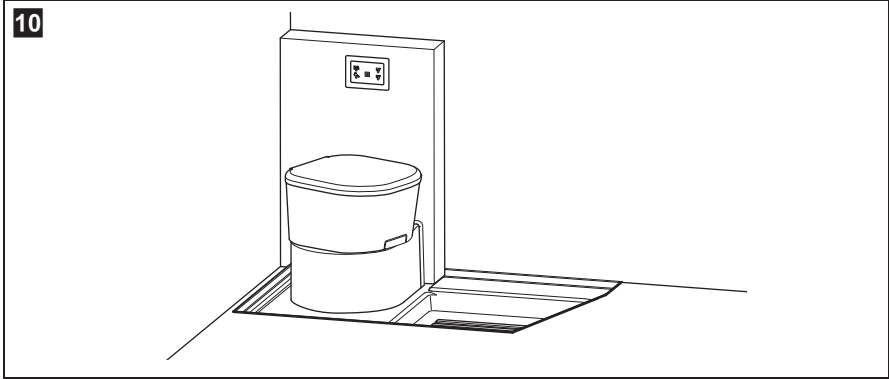


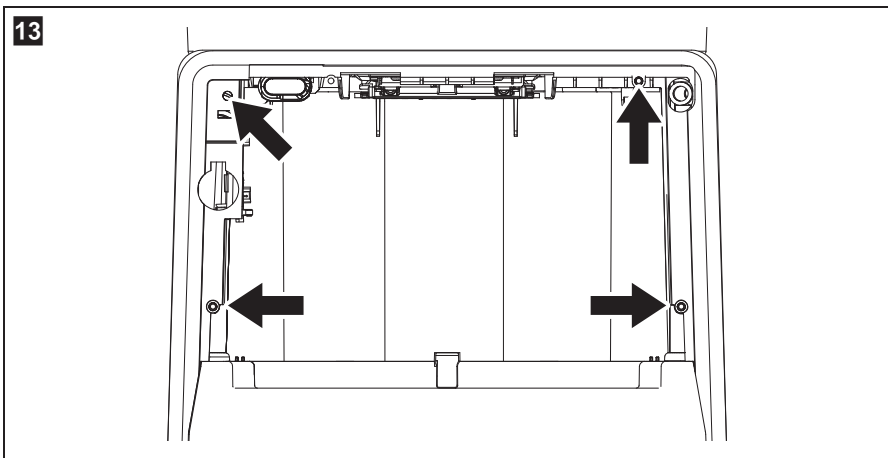
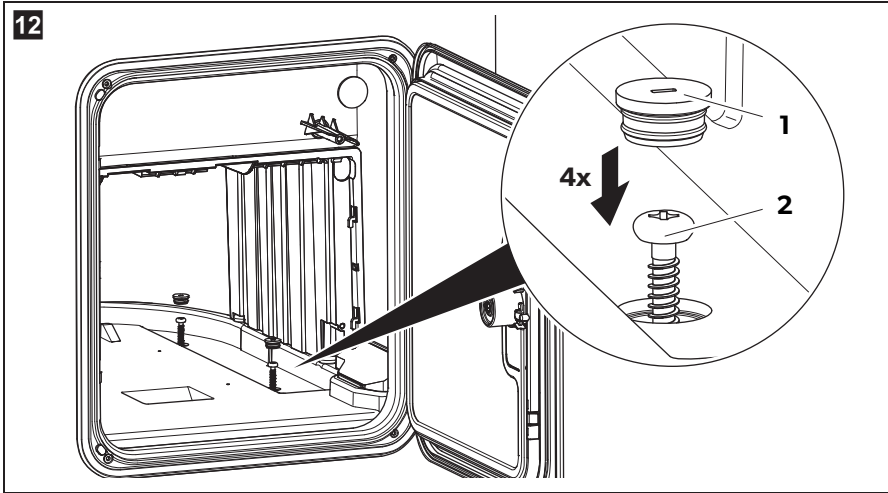
7

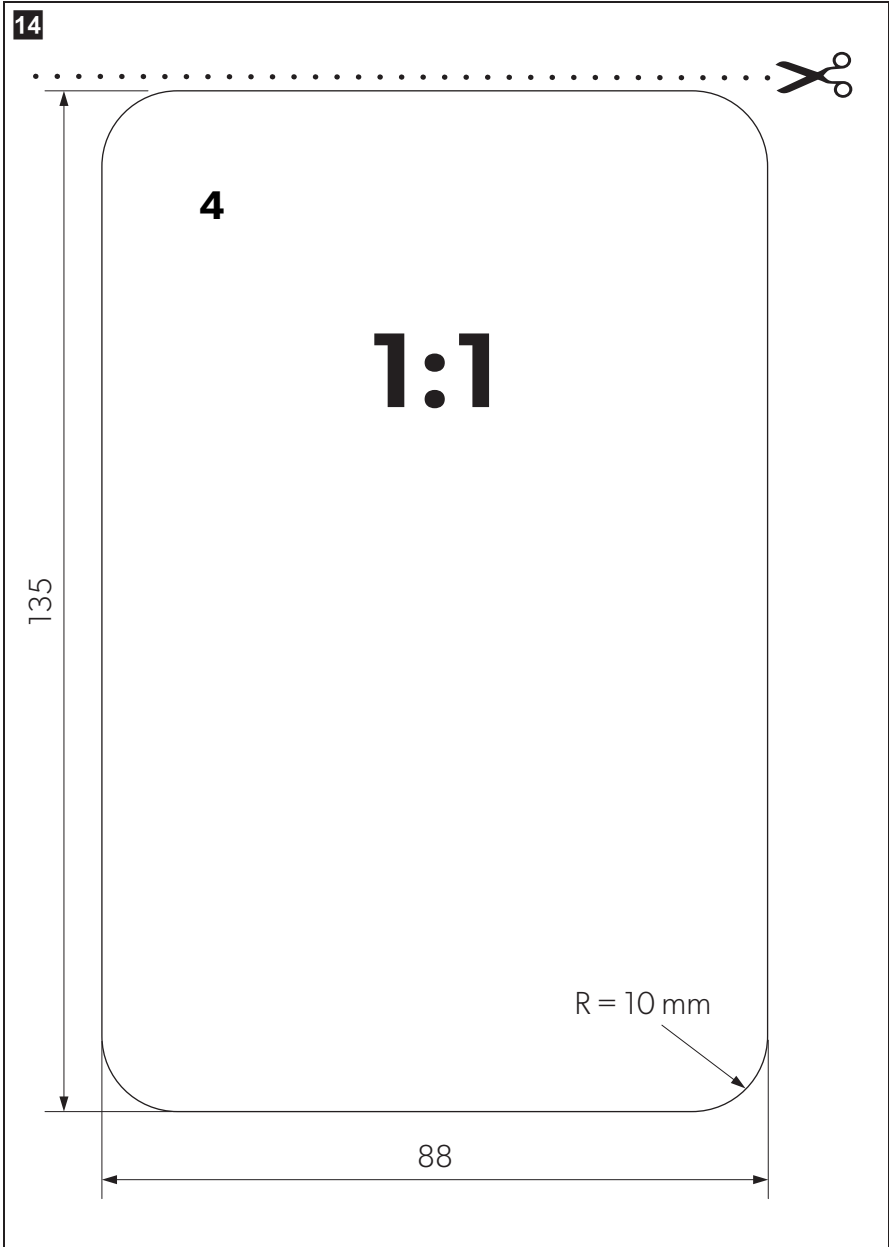


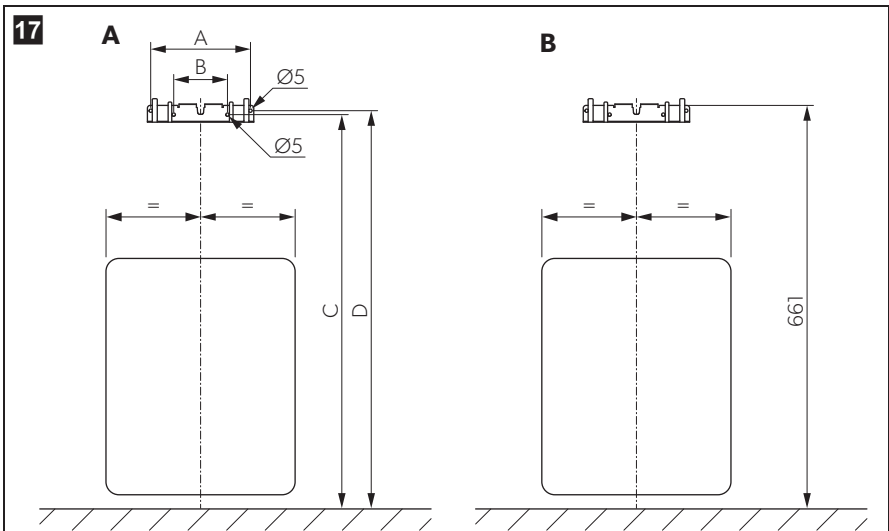
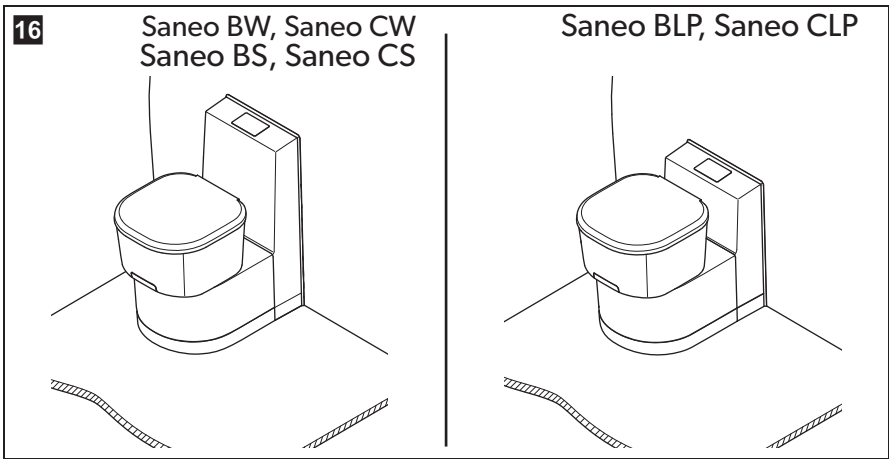
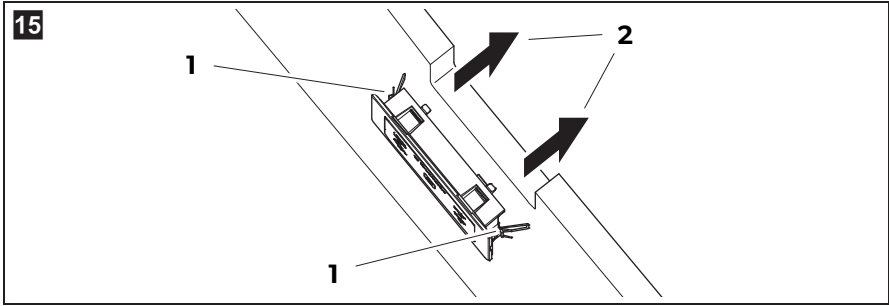


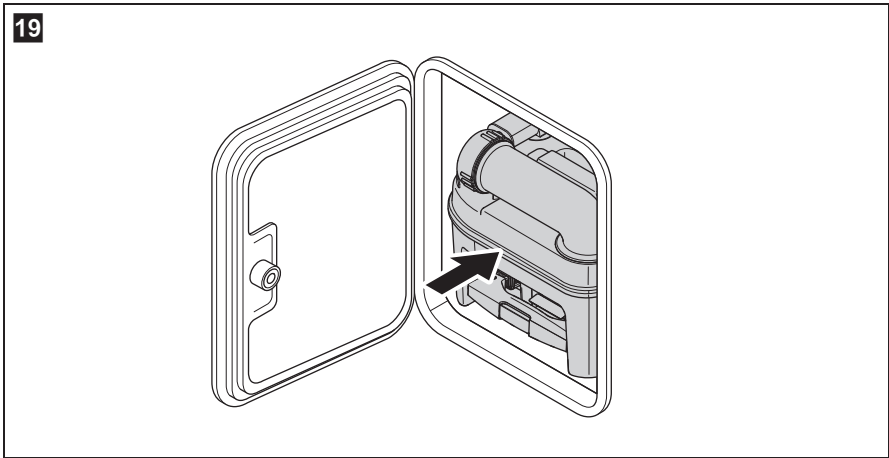
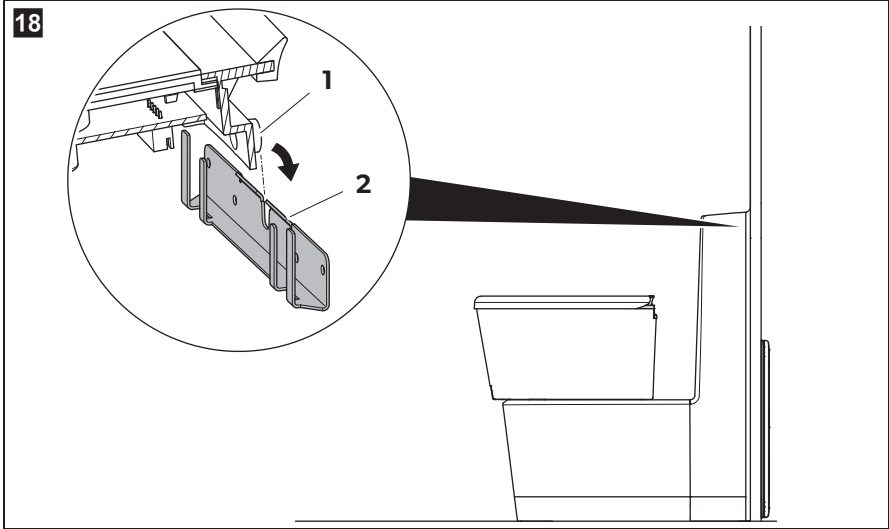


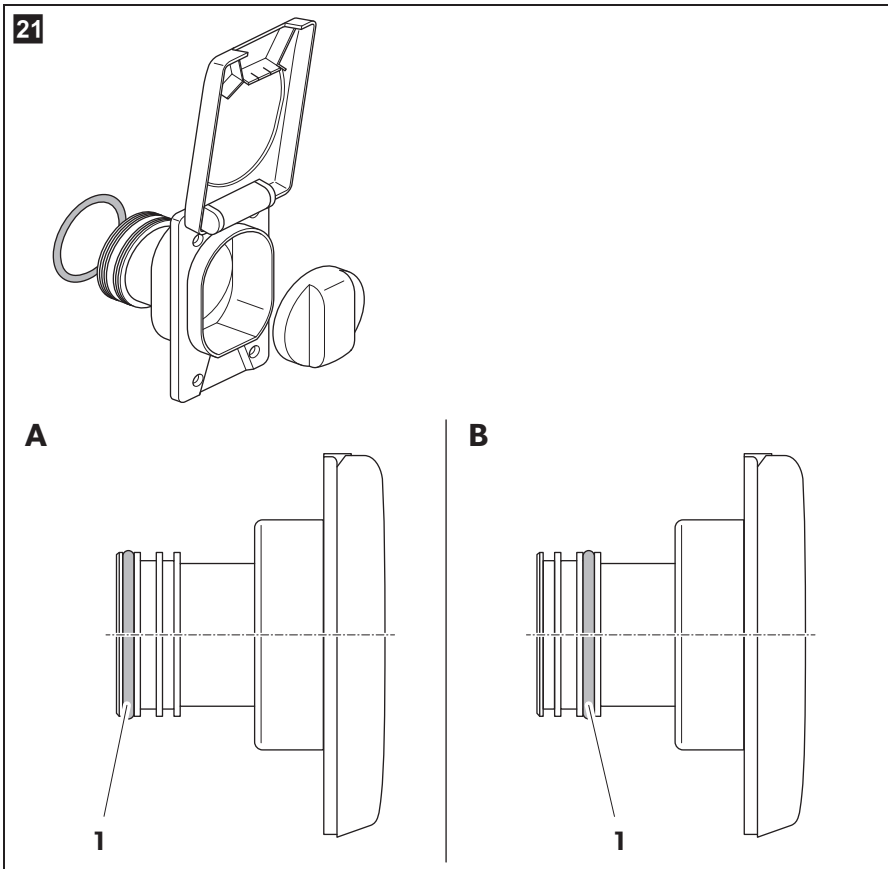
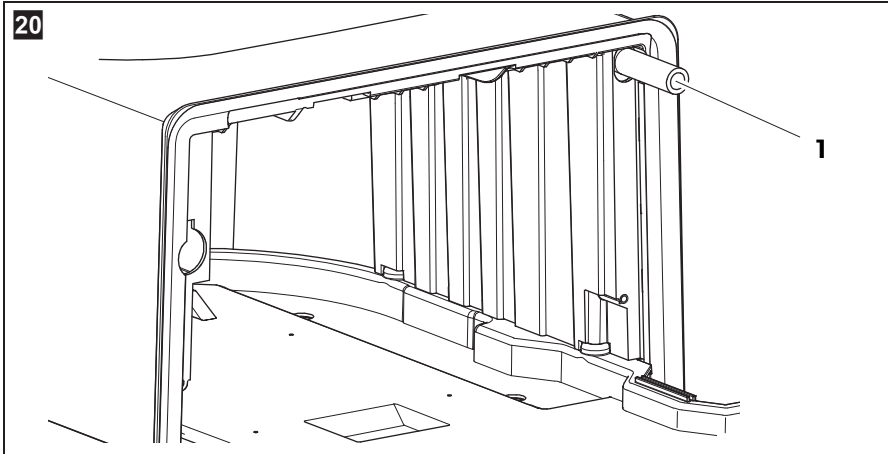


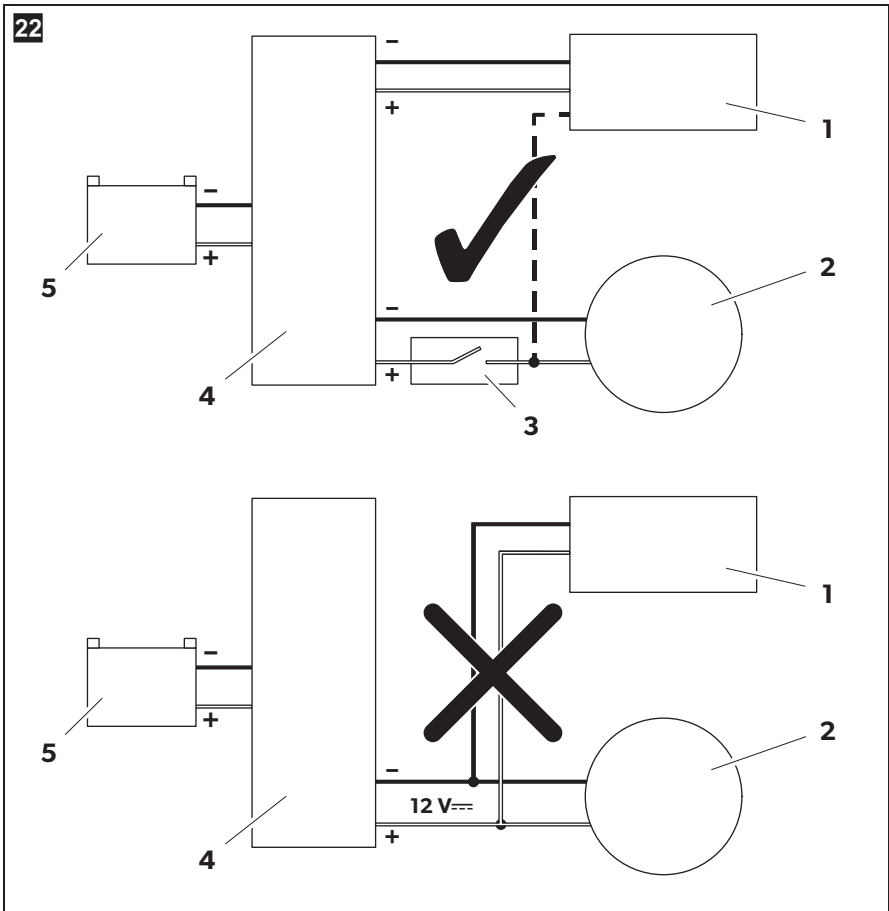


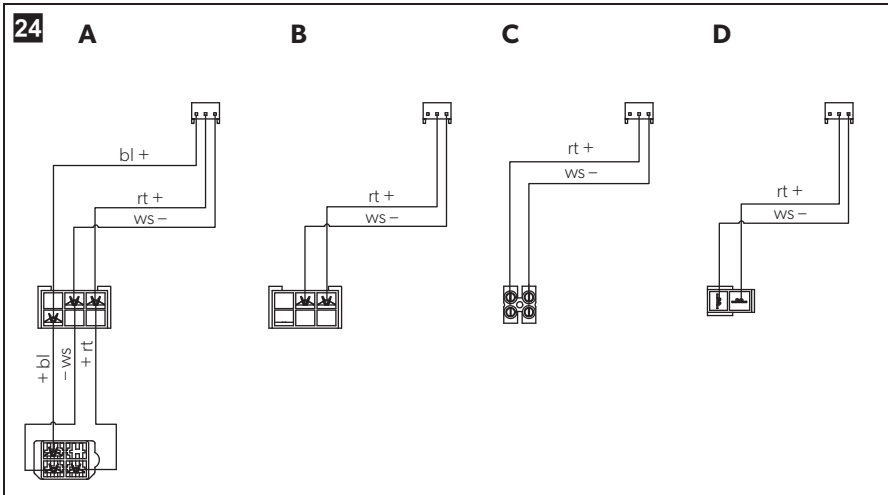
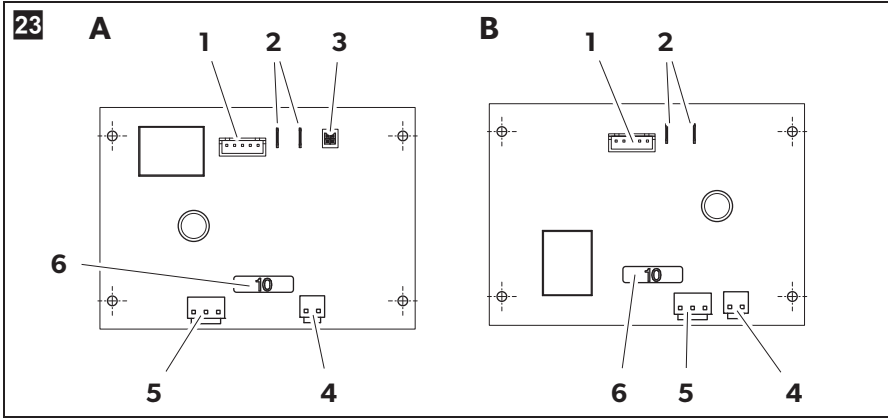












Please read this instruction manual carefully before installation and first use, and store it in a safe place. If you pass on the product to another person, hand over this instruction manual along with it.

Table of contents

1	Explanation of symbols	20
2	Safety instructions	20
2.1	General safety	21
2.2	Installation instructions	21
3	Intended use	21
4	Technical description	22
4.1	Description of the components	22
5	Installing the toilet	23
5.1	Installing the service door	23
5.2	Making wall cutouts	23
5.3	Setting up the toilet	24
5.4	Setting up the Saneo B, Saneo C toilet	24
5.5	Setting up the Saneo BW, Saneo CW, Saneo BS, Saneo CS, Saneo BLP, Saneo CLP toilets	26
5.6	Water connection	26
5.7	Installation of the tank flap	27
6	Electrical connection	28
7	Technical data	30

1 Explanation of symbols

**WARNING!**

Safety instruction: Failure to observe this instruction can cause fatal or serious injury.

**CAUTION!**

Safety instruction: Failure to observe this instruction can lead to injury.

**NOTICE!**

Failure to observe this instruction can cause material damage and impair the function of the product.

**NOTE**

Supplementary information for operating the product.

2 Safety instructions

The manufacturer accepts no liability for damage in the following cases:

- Faulty assembly or connection
- Damage to the product resulting from mechanical influences and excess voltage
- Alterations to the product without express permission from the manufacturer
- Use for purposes other than those described in the operating manual

The declaration of conformity can be requested from the manufacturer (contact information on the back).

2.1 General safety



WARNING!

- This device can be used by children aged 8 years or over, as well as by persons with diminished physical, sensory or mental capacities or a lack of experience and knowledge, providing they are supervised, or have been taught how to use the device safely and are aware of the resulting risks.
- Cleaning and user maintenance must not be carried out by unsupervised children.
- Children must be supervised to ensure that they do not play with the device.
- The toilet may be installed only by trained personnel.



- All components of the system must be installed in frost-free areas. In freezing temperatures, there is a risk of damage caused by frost.
- Do not use antifreeze. These agents may damage the cassette toilet.
- The operating pressure (water pressure) of the solenoid valve should not exceed 6 bar. The solenoid valve is damaged by excessive pressure.
- The electrical installation must comply with national and local regulations.
In Europe: EN 1645-1, EN 1646-1, EN 1648-1, EN 1648-2.

2.2 Installation instructions

The toilet must be installed so that it is easily accessible for service work, easy to de-install and install, and easily removed from the vehicle.

3 Intended use

The toilet is designed for installation and use in recreational vehicles such as campervans or motor caravans.

4 Technical description

The cassette toilet Saneo consists of a toilet permanently installed in the vehicle and a removable, mobile cassette as a holding tank. The cassette is externally accessible through a door. Depending on the model, the toilet gets the rinse water from a tank integrated in the housing or from a freshwater tank in the vehicle.

The following model versions of the toilet are available:

- **Saneo B, Saneo C:** freestanding, without water tank, without console
- **Saneo BS, Saneo CS:** freestanding, without water tank, with console
- **Saneo BW, Saneo CW:** freestanding, with a water tank in the console
- **Saneo BLP, Saneo CLP:** freestanding, without water tank, low console


Saneo C models can be equipped with an interval flush (optional). The water is pumped into the toilet bowl in short spurts in order to achieve improved flush wetting and cleaning. The wetting and cleaning depend on the amount of water available in the vehicle.

4.1 Description of the components

No. in fig. 1 , page 3	Label
1	Housing for cassette tank
2	Draining slider for toilet bowl
3	Rotatable toilet bowl, plastic or ceramic
4	Lid and seat, removable
5	Console
6	Control panel with level indicator and flushing
7	Only Saneo BW, CW: Integrated freshwater tank
8	Only Saneo BW, CW: Tank flap (closable tank flap optional)
9	Cassette tank
10	Service door

5 Installing the toilet

5.1 Installing the service door

You can find the description for installing the service door in the enclosed document ( **Dometic Seitz SK 5**, optional and model-dependent).

5.2 Making wall cutouts

Service door wall cutout

- ▶ Make a rectangular opening in the outer wall with the following dimensions (fig. **2**, page 3):
 - **A:** For service door SK5 vertical:
 - $y_{\min} = 12.5 \text{ mm}$, $y_{\max} = 22 \text{ mm}$
 - $w = 310 \text{ mm} \pm 1 \text{ mm}$
 - $h = 360 \text{ mm} \pm 1 \text{ mm}$
 - **B:** for service door SK5 horizontal:
 - $y_{\min} = 12.5 \text{ mm}$, $y_{\max} = 26 \text{ mm}$
 - $w = 360 \text{ mm} \pm 1 \text{ mm}$
 - $h = 310 \text{ mm} \pm 1 \text{ mm}$

The dimension x results from the placement of the toilet. Please note the position of the service door (template **(3)** and **(4)** on the packaging).

Wall cutout for the tank flap

For the Saneo BW and Saneo CW models, mount a tank flap for the integrated water tank.

- ▶ Using the template (fig. **3** 1, page 4) create an opening in the outer wall. The template is greatly reduced in size in the instructions. For the original, see the packaging.

You can find the installation description of the tank flap in chapter "Installation of the tank flap" on page 27.

5.3 Setting up the toilet



NOTICE!

All components of the system must be installed in frost-free areas. In freezing temperatures, there is a risk of damage caused by frost.

- Install the toilet according to the description for the respective model version.
- Set up the toilet so that it is flush to a vertical wall only.
- Leave at least 60 mm space to the side walls so that the swivelling of the upper part of the toilet (with seat) is not restricted.
- For the installation, use the dimensional drawings and templates:
 - **Saneo B, Saneo C:** fig. **4**, page 5
 - **Saneo BS, Saneo CS:** fig. **5**, page 6
 - **Saneo BW, Saneo CW:** fig. **5**, page 6
 - **Saneo BLP, Saneo CLP:** fig. **6**, page 7
 - **Milling dimensions:** fig. **7**, page 8
 - **Drill holes:** fig. **8**, page 9
 - **Radii:** fig. **9**, page 10



NOTE

- For the templates for milling dimensions, drill holes and radii, observe the symmetry point of the toilet (fig. **7** A, page 8, fig. **8** A, page 9, fig. **9** A, page 10).
- When installing the toilet in a wet room, the manufacturer recommends that you connect the toilet to the shower tray.

5.4 Setting up the Saneo B, Saneo C toilet

The freestanding models Saneo B and Saneo C have no integrated water tank. Set up this model so that the wall behind it can accommodate the control unit of the toilet, the electrical connections and possibly a water tank. It is ideal if you put a box in front of the room wall (fig. **10**, page 11).



NOTE

Exemplary installation in a shower tray is shown in fig. **10**, page 11 and fig. **11**, page 11.

Note that the cassette protrudes 112 mm out of the cassette housing (fig. **11**, page 11).

- Place the housing base (fig. **11** 1, page 11) flush with the installation frame of the service door (fig. **11** 2, page 11) so that there is a clean transition and no gap.

Anchoring the Saneo B, Saneo C toilets

- Place the toilet in the desired position.
- Tightly fasten the base plate with four screws (fig. **12** 2, page 12).
- Insert the caps (fig. **12** 1, page 12).
- Then bolt the toilet housing to the wall (using a maximum of 4 bolts, not included) (fig. **13**, page 12).



NOTE

1:1 template available from the manufacturer.

- Slide in the mobile tank cassette (fig. **19**, page 15).

Installation of the control and operating panel of the Saneo B, Saneo C toilets

Install the control and operating panel in the wall in the immediate vicinity of the toilet at an easily accessible location.

- For the control and operating panel, create an opening in the wall using the true-to-scale template (fig. **14**, page 13).
- Connect the electrical cables to the couplings for installation of the operating and control panel (chapter “Electrical connection” on page 28).



CAUTION!

There is a risk of injury due to the springs springing back!

- Press the retaining springs of the control and operating panel in and push it into the wall cutout (fig. **15**, page 14).

5.5 Setting up the Saneo BW, Saneo CW, Saneo BS, Saneo CS, Saneo BLP, Saneo CLP toilets

These models have a wall connection console. The control and operating panel is integrated in the wall connection console.

Models Saneo BW and Saneo CW feature a built-in water tank, while models Saneo BS and Saneo CS do not have a water tank.

Set up all models with wall connection console directly against the room wall (fig. 16, page 14). A previously attached wall bracket is used to secure the toilet and the wall bracket.

- Screw on the wall bracket, level, at the following height (fig. 17, page 14):

Variant A:

Model	A	B	C	D
Saneo BW, Saneo BS	170 mm	96 mm	645 mm	652 mm
Saneo CW, Saneo CS	170 mm	96 mm	645 mm	652 mm
Saneo BLP, Saneo CLP	170 mm	96 mm	462 mm	469 mm

Variant B:

- **Saneo BW, Saneo BS:** h = 661 mm
 - **Saneo CW, Saneo CS:** h = 661 mm
 - **Saneo BLP, Saneo CLP:** h = 478 mm
- Put the entire toilet module into the desired position in front of the wall bracket.
 - Lift the toilet and hook the housing into the wall bracket (fig. 18, page 15).
 - Tightly fasten the base plate with four screws (fig. 12 2, page 12).
 - Insert the caps (fig. 12 1, page 12).
 - Slide in the mobile tank cassette (fig. 19, page 15).

5.6 Water connection



NOTE

For the Saneo xW models with an integrated water tank, the water connection is installed at the factory.

- Connect the water supply using a smooth hose connection (fig. 20 1, page 16). The connection socket is not included in the scope of delivery.

- Perform a leak test.

**NOTICE!**

The operating pressure (water pressure) of the solenoid valve should not exceed 6 bar.
The solenoid valve is damaged by excessive pressure.

Performing a measurement to test the flushing output**NOTE**

Water supply (vehicle-side pump):
The toilet requires a min. of 7 l/min provided by the vehicle at the outlet of the hose connection of the toilet in order to ensure satisfactory flushing output of 5 l/min.

For performing a measurement to test the flushing output, there are two variants:

Variant 1:

- Disconnect the hose connection of the toilet from the vehicle line.
- Place the open end of the line into a bucket.
- Actuate the flushing for 1 minute using the toilet operating unit.
- Measure the volume of water in the bucket.
The volume of water that is in the bucket corresponds to the water flow rate in l/min.

Variant 2:

- Disconnect the hose connection of the toilet from the vehicle line.
- Connect a Gardena water meter to the toilet water line.
- Actuate the flushing using the toilet operating unit.
- Read the water flow in l/min on the Gardena water meter.

5.7 Installation of the tank flap

For the Saneo BW and Saneo CW models, mount a tank flap for the integrated water tank.

- Using the template (fig. **3** 1, page 4) create an opening in the outer wall.
- Seal the tank flap water tight (for example, with butyl rubber).

- Put the tank flap on the tank.
- Tightly fasten the tank flap with four C4x25 countersunk screws (not included).
- Slide the O-ring onto the inner tube of the tank flap (fig. **21**, page 16):
 - **A:** Position of the O-ring with a wall thickness of 30 mm – 50 mm
 - **B:** Position of the O-ring with a wall thickness of 20.5 mm – 30 mm
- Grease the O-ring. This makes it easier for the filler neck to be connected with the upper part of the tank.

6 Electrical connection



WARNING!

The electrical system must be wired by qualified personnel.



NOTICE!

- Do not connect the toilet to the voltage supply directly in parallel with other power-consuming devices.
- Do not connect the control of the toilet to a pressurised water pump.
- The rated capacity of an external water pump must not exceed 100 W.



NOTE

- The external water pump is not included in the scope of delivery.
- A pre-fuse is not necessary, because the toilet is internally fused.

Key for fig. **22**, page 17:

Item	Label
1	Toilet
2	Water pump
3	Switch
4	Fuse/main terminal box
5	12 V supply




The layout of the touch-switch control unit (fig. **23** A, page 18) and of the tact-switch control unit (fig. **23** B, page 18) is as follows:

Item	Label
1	5-pin connector for Reed sensors cassette tank and micro-switch cassette
2	Only Saneo BW, CW: Float level indicator, water tank
3	Jumper (only touch-switch control unit)
4	Only Saneo B, C, BS, CS, BLP, CLP: Valve connection Only Saneo BW, CW: Internal pump connection
5	12 V supply
6	Fuse (10 A)

- Connect the toilet via the main terminal block of the vehicle to its own power supply (fig. **22**, page 17 and fig. **23** 5, page 18). Use the corresponding cable (fig. **24**, page 18):

Pos./cable colour	Label
A	Saneo B, BS, BLP, C, CS, CLP (do not use when using a pressurised water pump)
B	Saneo BW, CW
C	Saneo B, BS, BLP, C, CS, CLP with pressurised water pump (Australia)
D	Saneo BW, CW (UK)
wt	White cable, earth (-)
rt	Red cable, input (+)
bl	Blue cable, output (+) Control line for an external pump (do not use when using a pressurised water pump)

7 Technical data

	Dometic Saneo
Input voltage:	12 V $\overline{=}$
Current consumption:	Max. 2 A with internal pump Max. 10 A with external pump
Max. person weight:	150 kg
Dimensions:	See fig. 4 , page 5 to fig. 9 , page 10
Operating temperature:	0 °C to +50 °C
Capacity:	16 l (cassette tank) 7 l (freshwater tank, optional)
Test mark:	   10 R-047317



NOTE

Water supply (vehicle-side pump):

The toilet requires a min. of 7 l/min provided by the vehicle at the outlet of the hose connection of the toilet in order to ensure satisfactory flushing output of 5 l/min.

Bitte lesen Sie diese Anleitung vor Einbau und Inbetriebnahme sorgfältig durch und bewahren Sie sie auf. Geben Sie sie im Falle einer Weitergabe des Produktes an den Nutzer weiter.

Inhaltsverzeichnis

1	Erklärung der Symbole	32
2	Sicherheitshinweise	32
2.1	Grundlegende Sicherheit	33
2.2	Einbauhinweise	33
3	Bestimmungsgemäßer Gebrauch	33
4	Technische Beschreibung	34
4.1	Beschreibung der Komponenten	34
5	Toilette einbauen	35
5.1	Servicetür einbauen	35
5.2	Wandausschnitte herstellen	35
5.3	Toilette aufstellen	36
5.4	Toilette Saneo B, Saneo C aufstellen	37
5.5	Toilette Saneo BW, Saneo CW, Saneo BS, Saneo CS, Saneo BLP, Saneo CLP aufstellen	38
5.6	Wasseranschluss	39
5.7	Einbau der Tankklappe	40
6	Elektrischer Anschluss	41
7	Technische Daten	43

1 Erklärung der Symbole

**WARNUNG!**

Sicherheitshinweis: Nichtbeachtung kann zu Tod oder schwerer Verletzung führen.

**VORSICHT!**

Sicherheitshinweis: Nichtbeachtung kann zu Verletzungen führen.

**ACHTUNG!**

Nichtbeachtung kann zu Materialschäden führen und die Funktion des Produktes beeinträchtigen.

**HINWEIS**

Ergänzende Informationen zur Bedienung des Produktes.

2 Sicherheitshinweise

Der Hersteller übernimmt in folgenden Fällen keine Haftung für Schäden:

- Montage- oder Anschlussfehler
- Beschädigungen am Produkt durch mechanische Einflüsse und Überspannungen
- Veränderungen am Produkt ohne ausdrückliche Genehmigung vom Hersteller
- Verwendung für andere als die in der Anleitung beschriebenen Zwecke

Die Konformitätserklärung kann beim Hersteller angefordert werden (Kontaktinformationen auf der Rückseite).

2.1 Grundlegende Sicherheit



WARNUNG!

- Dieses Gerät kann von Kindern ab 8 Jahren und darüber sowie von Personen mit verringerten physischen, sensorischen oder mentalen Fähigkeiten oder Mangel an Erfahrung und Wissen benutzt werden, wenn sie beaufsichtigt oder bezüglich des sicheren Gebrauchs des Gerätes unterwiesen wurden und die daraus resultierenden Gefahren verstehen.
- Reinigung und Benutzer-Wartung dürfen nicht von Kindern ohne Beaufsichtigung durchgeführt werden.
- Kinder sollten beaufsichtigt werden, um sicherzustellen, dass sie nicht mit dem Gerät spielen.
- Der Einbau der Toilette darf nur von geschultem Fachpersonal erfolgen.



- Sämtliche Komponenten des Systems müssen in frostfreien Bereichen eingebaut werden. Bei Minustemperaturen besteht die Gefahr der Beschädigung durch Frosteinwirkung.
- Verwenden Sie keine Frostschutzmittel. Diese Mittel können die Kassettentoilette beschädigen.
- Der Betriebsdruck (Wasserdruck) des Magnetventils darf 6 bar nicht überschreiten. Das Magnetventil wird durch überhöhten Druck beschädigt.
- Die elektrische Installation muss nach den nationalen und örtlichen Vorschriften erfolgen.
In Europa: EN 1645-1, EN 1646-1, EN 1648-1, EN 1648-2.

2.2 Einbauhinweise

Die Toilette muss grundsätzlich so eingebaut werden, dass sie für Servicearbeiten gut zugänglich ist, leicht aus- und eingebaut und ohne großen Aufwand aus dem Fahrzeug entnommen werden kann.

3 Bestimmungsgemäßer Gebrauch

Die Toilette ist für den Einbau und die Verwendung in Freizeitfahrzeugen wie Wohnwagen oder Reisemobilen vorgesehen.

4 Technische Beschreibung

Die Kassettentoilette Saneo besteht aus einer im Fahrzeug fest installierten Toilette und einer herausnehmbaren, fahrbaren Kassette als Abwassertank. Die Kassette ist von außen durch eine Tür zugänglich. Je nach Modell erhält die Toilette das Spülwasser aus einem im Gehäuse integrierten Tank oder aus dem fahrzeugseitigen Frischwassertank.

Es gibt folgende Modellausführungen der Toilette:

- **Saneo B, Saneo C:** freistehend, ohne Wassertank, ohne Konsole
- **Saneo BS, Saneo CS:** freistehend, ohne Wassertank, mit Konsole
- **Saneo BW, Saneo CW:** freistehend, mit Wassertank in der Konsole
- **Saneo BLP, Saneo CLP:** freistehend, ohne Wassertank, niedrige Konsole


Saneo C-Modelle können mit einer Intervallspülung ausgestattet sein (optional). Dabei wird Wasser in kurzen Schüben in die Toilettenschüssel gepumpt, um eine verbesserte Spülbenetzung und Reinigung zu erzielen. Die Benetzung und Reinigung sind von der zur Verfügung gestellten Wassermenge im Fahrzeug abhängig.

4.1 Beschreibung der Komponenten

Pos. in Abb. 1 , Seite 3	Bezeichnung
1	Gehäuse für Kassettentank
2	Entleerungsschieber für die Toilettenschüssel
3	Toilettenschüssel drehbar, Kunststoff oder Keramik
4	Deckel und Brille, abnehmbar
5	Konsole
6	Bedienfeld mit Füllstandsanzeige und Spülung
7	Nur Saneo BW, CW: Integrierter Frischwassertank
8	Nur Saneo BW, CW: Tankklappe (abschließbare Tankklappe optional)
9	Kassettentank
10	Servicetür

5 Toilette einbauen

5.1 Servicetür einbauen

Entnehmen Sie die Beschreibung zum Einbau der Servicetür dem beigelegten Dokument ( **Dometic Seitz SK 5**, optional und modellabhängig).

5.2 Wandausschnitte herstellen

Wandausschnitt Servicetür

- Fertigen Sie eine Öffnung in der Außenwand mit folgenden Maßen an (Abb. **2**, Seite 3):
 - **A:** für Servicetür SK5 vertikal:
 - $y_{\min} = 12,5 \text{ mm}$, $y_{\max} = 22 \text{ mm}$
 - $b = 310 \text{ mm} \pm 1 \text{ mm}$
 - $h = 360 \text{ mm} \pm 1 \text{ mm}$
 - **B:** für Servicetür SK5 horizontal:
 - $y_{\min} = 12,5 \text{ mm}$, $y_{\max} = 26 \text{ mm}$
 - $b = 360 \text{ mm} \pm 1 \text{ mm}$
 - $h = 310 \text{ mm} \pm 1 \text{ mm}$

Das Maß x ergibt sich durch die Aufstellung der Toilette. Beachten Sie dabei die Position der Servicetür (Schablone **(3)** und **(4)** auf der Verpackung).

Wandausschnitt Tankklappe

Montieren Sie bei den Modellen Saneo BW und Saneo CW eine Tankklappe für den integrierten Wassertank.

- Fertigen Sie mit der Schablone (Abb. **3** 1, Seite 4) eine Öffnung in der Außenwand. Die Schablone in der Anleitung ist stark verkleinert. Original siehe Verpackung.

Die Einbaubeschreibung der Tankklappe finden Sie in Kapitel „Einbau der Tankklappe“ auf Seite 40.

5.3 Toilette aufstellen



ACHTUNG!

Sämtliche Komponenten des Systems müssen in frostfreien Bereichen eingebaut werden. Bei Minustemperaturen besteht die Gefahr der Beschädigung durch Frosteinwirkung.

- Bauen Sie die Toilette entsprechend der Beschreibung zur jeweiligen Modell-ausführung ein.
- Stellen Sie die Toilette nur an einer senkrechten Wand bündig auf.
- Lassen Sie mindestens 60 mm Platz zu seitlichen Wänden, damit das Schwenken des Toilettenoberteils (mit Sitz) nicht eingeschränkt wird.
- Nutzen Sie zum Einbau die Maßskizzen und Schablonen:
 - **Saneo B, Saneo C:** Abb. **4**, Seite 5
 - **Saneo BS, Saneo CS:** Abb. **5**, Seite 6
 - **Saneo BW, Saneo CW:** Abb. **5**, Seite 6
 - **Saneo BLP, Saneo CLP:** Abb. **6**, Seite 7
 - **Fräsmaße:** Abb. **7**, Seite 8
 - **Bohrungen:** Abb. **8**, Seite 9
 - **Radien:** Abb. **9**, Seite 10



HINWEIS

- Beachten Sie bei den Schablonen für Fräsmaße, Bohrungen und Radien den Symmetrie-Punkt der Toilette (Abb. **7** A, Seite 8, Abb. **8** A, Seite 9, Abb. **9** A, Seite 10).
- Beim Einbau der Toilette in einer Nasszelle empfiehlt der Hersteller, die Toilette mit der Duschwanne zu verbinden.

5.4 Toilette Saneo B, Saneo C aufstellen

Das freistehende Modell Saneo B, Saneo C besitzt keinen integrierten Wassertank. Stellen Sie dieses Modell so auf, dass die dahinter liegende Wand das Bedienteil der Toilette, die elektrischen Anschlüsse und eventuell einen Wassertank aufnehmen kann. Ideal ist es, dazu einen Kasten vor die Raumwand zu setzen (Abb. **10**, Seite 11).



HINWEIS

Abb. **10**, Seite 11 und Abb. **11**, Seite 11 zeigen den beispielhaften Einbau in eine Duschanne.

Beachten Sie, dass die Kassette 112 mm aus dem Kassettengehäuse herausragt (Abb. **11**, Seite 11).

- Setzen Sie den Gehäuseboden (Abb. **11** 1, Seite 11) bündig an den Einbau-rahmen der Servicetür (Abb. **11** 2, Seite 11) an, so dass ein sauberer Übergang ohne Spalt entsteht.

Toilette Saneo B, Saneo C befestigen

- Stellen Sie die Toilette an der gewünschten Position auf.
- Schrauben Sie die Bodenplatte mit vier Schrauben fest (Abb. **12** 2, Seite 12).
- Setzen Sie die Abdeckkappen ein (Abb. **12** 1, Seite 12).
- Schrauben Sie danach das Toilettengehäuse (mit maximal 4 Schrauben, nicht beiliegend) an der Wand fest (Abb. **13**, Seite 12).



HINWEIS

1:1 Schablone erhältlich beim Hersteller.

- Schieben Sie die fahrbare Tankkassette ein (Abb. **19**, Seite 15).

Kontroll- und Bedienfeld der Toilette Saneo B, Saneo C einbauen

Bauen Sie das Kontroll- und Bedienfeld an einer gut erreichbaren Stelle in einer Wand in unmittelbarer Nähe der Toilette ein.

- Fertigen Sie für das Kontroll- und Bedienfeld mit der maßstabsgerechten Schablone (Abb. **14**, Seite 13) eine Öffnung in der Wand.
- Verbinden Sie die elektrischen Kabel an den Kupplungen zum Einbau des Kontroll- und Bedienfeldes (Kapitel „Elektrischer Anschluss“ auf Seite 41).

**VORSICHT!**

Es besteht Verletzungsgefahr durch zurückspringende Federn!

- Drücken Sie die Haltefedern des Kontroll- und Bedienfelds ein und schieben Sie es in den Wandausschnitt (Abb. **15**, Seite 14).

5.5 Toilette Saneo BW, Saneo CW, Saneo BS, Saneo CS, Saneo BLP, Saneo CLP aufstellen

Diese Modelle haben eine Wandanschlusskonsole. Das Kontroll- und Bedienfeld ist in der Wandanschlusskonsole integriert.

Die Modelle Saneo BW und Saneo CW verfügen über einen eingebauten Wassertank, während die Modelle Saneo BS und Saneo CS keinen Wassertank besitzen.

Stellen Sie alle Modelle mit Wandanschlusskonsole direkt an der Raumwand auf (Abb. **16**, Seite 14). Zur Befestigung der Toilette und der Konsole dient ein zuvor angebrachter Wandhalter.

- Schrauben Sie den Wandhalter waagrecht in der folgenden Höhe an (Abb. **17**, Seite 14):

Variante A:

Modell	A	B	C	D
Saneo BW, Saneo BS	170 mm	96 mm	645 mm	652 mm
Saneo CW, Saneo CS	170 mm	96 mm	645 mm	652 mm
Saneo BLP, Saneo CLP	170 mm	96 mm	462 mm	469 mm

Variante B:

- **Saneo BW, Saneo BS:** h = 661 mm
- **Saneo CW, Saneo CS:** h = 661 mm
- **Saneo BLP, Saneo CLP:** h = 478 mm
- Bringen Sie das komplette Toilettenmodul in die gewünschte Position vor dem Wandhalter.
- Heben Sie die Toilette an und haken Sie das Gehäuse in den Wandhalter ein (Abb. **18**, Seite 15).
- Schrauben Sie die Bodenplatte mit vier Schrauben fest (Abb. **12** 2, Seite 12).
- Setzen Sie die Abdeckkappen ein (Abb. **12** 1, Seite 12).
- Schieben Sie die fahrbare Tankkassette ein (Abb. **19**, Seite 15).

5.6 Wasseranschluss



HINWEIS

Bei den Modellen Saneo xW mit integriertem Wassertank ist der Wasseranschluss werksseitig montiert.

- Schließen Sie die Wasserversorgung über einen glatten Schlauchanschluss (Abb. **20** 1, Seite 16) an. Die Anschlussstülle ist nicht im Lieferumfang enthalten.
- Führen Sie eine Dichtheitsprüfung durch.



ACHTUNG!

Der Betriebsdruck (Wasserdruck) des Magnetventils darf 6 bar nicht überschreiten.
Das Magnetventil wird durch überhöhten Druck beschädigt.

Auslitern für den Spülleistungstest



HINWEIS

Wasserversorgung (fahrzeugseitige Pumpe):
Die Toilette benötigt fahrzeugseitig min. 7 l/min am Ausgang des Schlauchanschlusses der Toilette, um eine ausreichende Spülleistung mit min. 5 l/min zu gewährleisten.

Zum Auslitern für den Spülleistungstest gibt es zwei Varianten:

Variante 1:

- Trennen Sie die Schlauchverbindung der Toilette von der fahrzeugseitigen Leitung.
- Hängen Sie das offene Ende der Leitung in einen Eimer.
- Betätigen Sie 1 min lang die Spülung über das Toilettenbedienteil.
- Messen Sie die Wassermenge, die sich im Eimer befindet.
Die Wassermenge, die sich im Eimer befindet, entspricht dem Wasserdurchsatz in l/min.

Variante 2:

- Trennen Sie die Schlauchverbindung der Toilette von der fahrzeugseitigen Leitung.
- Klemmen Sie einen Gardena-Wassermengenzähler an die Toiletten-Wasserleitung an.
- Betätigen Sie die Spülung über das Toilettenbedienteil.
- Lesen Sie den Wasserdurchsatz in l/min auf dem Gardena-Wassermengenzähler ab.

5.7 Einbau der Tankklappe

Montieren Sie bei den Modellen Saneo BW und Saneo CW eine Tankklappe für den integrierten Wassertank.

- Fertigen Sie mit der Schablone (Abb. **3** 1, Seite 4) eine Öffnung in der Außenwand an.
- Dichten Sie die Tankklappe wasserdicht ab (z. B. mit Butylkautschuk).
- Stecken Sie die Tankklappe auf den Tank auf.
- Schrauben Sie die Tankklappe mit vier Senkkopfschrauben C4x25 (nicht im Lieferumfang enthalten) fest.
- Schieben Sie den O-Ring auf das Innenrohr der Tankklappe auf (Abb. **21**, Seite 16):
 - **A:** Position des O-Rings bei Wandstärken 30 mm – 50 mm
 - **B:** Position des O-Rings bei Wandstärken 20,5 mm – 30 mm
- Fetten Sie den O-Ring. Dadurch lässt sich der Einfüllstutzen leicht mit dem Tankoberteil verbinden.

6 Elektrischer Anschluss



WARNUNG!

Der elektrische Anschluss muss von Fachpersonal ausgeführt werden.



ACHTUNG!

- Toilette nicht direkt parallel zu anderen Verbrauchern an Spannungsversorgung anschließen.
- Die Steuerung der Toilette nicht an eine Druckwasserpumpe anschließen.
- Die Nennleistung einer externen Wasserpumpe darf 100 W nicht überschreiten.



HINWEIS

- Die externe Wasserpumpe ist nicht im Lieferumfang vorhanden.
- Eine Vorsicherung ist nicht notwendig, da die Toilette intern abgesichert ist.

Legende zu Abb. **22**, Seite 17:

Pos.	Bezeichnung
1	Saneo
2	Wasserpumpe
3	Schalter
4	Sicherungs-/Hauptanschlusskasten
5	12-V-Versorgung




Die Belegung des Touch-Switch-Bedienteils (Abb. **23** A, Seite 18) und des Tact-Switch-Bedienteils (Abb. **23** B, Seite 18) lautet wie folgt:

Pos.	Bezeichnung
1	5-poliger Anschluss für Reedensoren Kassettentank und Mikroschalter Kassette
2	Nur Saneo BW, CW: Schwimmer-Füllstandsanzeige Wassertank
3	Jumper (nur Touch-Switch-Bedienteil)
4	Nur Saneo B, C, BS, CS, BLP, CLP: Anschluss Ventil Nur Saneo BW, CW: Anschluss interne Pumpe
5	12-V-Versorgung
6	Sicherung (10 A)

- Schließen Sie die Toilette über den Hauptanschlussblock des Fahrzeugs an eine eigene Spannungsversorgung an (Abb. **22**, Seite 17 und Abb. **23** 5, Seite 18). Verwenden Sie dafür das entsprechende Kabel (Abb. **24**, Seite 18):

Pos./Kabelfarbe	Bezeichnung
A	Saneo B, BS, BLP, C, CS, CLP (nicht verwenden bei Einsatz einer Druckwasserpumpe)
B	Saneo BW, CW
C	Saneo B, BS, BLP, C, CS, CLP mit Druckwasserpumpe (Australien)
D	Saneo BW, CW (UK)
ws	weißes Kabel, Masse (-)
rt	rotes Kabel, Eingang (+)
bl	blaues Kabel, Ausgang (+) Steuerleitung für eine externe Pumpe (nicht verwenden bei Einsatz einer Druckwasserpumpe)

7 Technische Daten

	Dometic Saneo
Versorgungsspannung:	12 V $\overline{=}$
Stromaufnahme:	max. 2 A bei interner Pumpe max. 10 A bei externer Pumpe
Max. Personengewicht:	150 kg
Abmessungen:	siehe Abb. 4 , Seite 5 bis Abb. 9 , Seite 10
Betriebstemperatur:	0 °C bis +50 °C
Fassungsvermögen:	16 l (Kassetten tank) 7 l (Frischwassertank, optional)
Prüfzeichen:	   10 R-047317



HINWEIS

Wasserversorgung (fahrzeugseitige Pumpe):

Die Toilette benötigt fahrzeugseitig min. 7 l/min am Ausgang des Schlauchanschlusses der Toilette, um eine ausreichende Spüleistung mit min. 5 l/min zu gewährleisten.

Veillez lire attentivement cette notice avant le montage et la mise en service. Veillez ensuite la conserver. En cas de passer le produit, veuillez le transmettre au nouvel acquéreur.

Table des matières

1	Explication des symboles	45
2	Consignes de sécurité	45
2.1	Consignes générales de sécurité	46
2.2	Instructions de montage	46
3	Usage conforme	46
4	Description technique	47
4.1	Description des composants	47
5	Installation des toilettes	48
5.1	Installation de la porte de service	48
5.2	Exécution des découpes dans le mur	48
5.3	Installation des toilettes	49
5.4	Installation des toilettes Saneo B, Saneo C	50
5.5	Installation des toilettes Saneo BW, Saneo CW, Saneo BS, Saneo CS, Saneo BLP, Saneo CLP	51
5.6	Raccordement à l'eau	52
5.7	Montage du clapet de réservoir	53
6	Raccordement électrique	54
7	Caractéristiques techniques	56

1 Explication des symboles

**AVERTISSEMENT !**

Consigne de sécurité : le non-respect de ces consignes peut entraîner la mort ou de graves blessures.

**ATTENTION !**

Consigne de sécurité : le non-respect de ces consignes peut entraîner des blessures.

**AVIS !**

Le non-respect de ces consignes peut entraîner des dommages matériels et des dysfonctionnements du produit.

**REMARQUE**

Informations complémentaires sur l'utilisation du produit.

2 Consignes de sécurité

Le fabricant décline toute responsabilité pour des dommages dans les cas suivants :

- des défauts de montage ou de raccordement
- des influences mécaniques et des surtensions ayant endommagé le matériel
- des modifications apportées au produit sans autorisation explicite de la part du fabricant
- une utilisation différente de celle décrite dans la notice

La déclaration de conformité peut être demandée auprès du fabricant (coordonnées au dos).

2.1 Consignes générales de sécurité



AVERTISSEMENT !

- Les enfants âgés de 8 ans et plus ainsi que les personnes ayant des déficiences physiques, sensorielles ou mentales ou un manque d'expérience ou de connaissances peuvent utiliser ce produit à condition d'être sous surveillance ou d'avoir reçu des instructions concernant l'utilisation de l'appareil en toute sécurité et de comprendre les dangers qui en résultent.
- Le nettoyage et la maintenance ne doivent pas être effectués par des enfants sans surveillance.
- Les enfants doivent être surveillés pour s'assurer qu'ils ne jouent pas avec l'appareil.
- Seul un personnel qualifié est habilité à installer les toilettes.



- Tous les composants du système doivent être installés dans les zones sans gel. À basses températures, il existe un risque de dommages par l'action du gel.
- N'utilisez aucun antigel. Ces produits peuvent endommager les toilettes à cassette.
- La pression de service (pression de l'eau) de l'électrovanne ne doit pas dépasser 6 bars. L'électrovanne est endommagée par une pression excessive.
- L'installation électrique doit être effectuée conformément aux règlements locaux et nationaux.
En Europe : EN 1645-1, EN 1646-1, EN 1648-1, EN 1648-2.

2.2 Instructions de montage

Les toilettes doivent être installées de sorte à être facilement accessibles pour les travaux de maintenance, et à ce qu'elles puissent être installées et retirées sans trop d'effort du véhicule.

3 Usage conforme

Les toilettes sont prévues pour l'installation et l'utilisation dans les véhicules de loisirs comme les caravanes ou les camping-cars.

4 Description technique

Les toilettes à cassette Saneo consistent en des toilettes installée dans le véhicule et une cassette amovible, mobile, servant de réservoir d'eaux usées. La cassette est accessible depuis l'extérieur par une porte. Selon le modèle, les toilettes reçoivent l'eau de la chasse d'eau d'un réservoir intégré dans le bâti ou du réservoir d'eau douce du véhicule.

Les modèles de toilettes suivants sont disponibles :

- **Saneo B, Saneo C** : autoportants, sans réservoir d'eau, sans console
- **Saneo BS, Saneo CS** : autoportants, sans réservoir d'eau, avec console
- **Saneo BW, Saneo CW** : autoportants, avec réservoir d'eau et console
- **Saneo BLP, Saneo CLP** : autoportants, sans réservoir d'eau, console basse


Les modèles Saneo C peuvent être équipés d'un rinçage par intervalles (en option). L'eau est alors pompée par brefs à-coups dans la cuvette des toilettes pour atteindre une meilleure humidification de rinçage et de nettoyage. L'humidification et le nettoyage dépendent de la quantité d'eau disponible dans le véhicule.

4.1 Description des composants

Pos. dans fig. 1 , page 3	Désignation
1	Bâti pour réservoir à cassette
2	Glissière de vidange de la cuvette des toilettes
3	Cuvette de toilette rotative, en plastique ou en céramique
4	Couvercle et lunette, amovibles
5	Console
6	Panneau de commande avec indicateur de niveau et rinçage
7	Seulement Saneo BW, CW : Réservoir d'eau douce intégré
8	Seulement Saneo BW, CW : Clapet du réservoir (clapet du réservoir refermable en option)
9	Réservoir à cassette
10	Porte de service

5 Installation des toilettes

5.1 Installation de la porte de service

Reportez-vous à la description du document ci-joint pour installer la porte de service ( **Dometic Seitz SK 5**, en option et selon le modèle).

5.2 Exécution des découpes dans le mur

Découpe dans le mur pour la porte de service

- ▶ Pratiquez une ouverture dans la paroi extérieure avec les dimensions suivantes (fig. **2**, page 3) :
 - **A** : pour porte de service verticale SK5 :
 - $y_{\min} = 12,5 \text{ mm}$, $y_{\max} = 22 \text{ mm}$
 - $l = 310 \text{ mm} \pm 1 \text{ mm}$
 - $h = 360 \text{ mm} \pm 1 \text{ mm}$
 - **B** : pour porte de service horizontale SK5 :
 - $y_{\min} = 12,5 \text{ mm}$, $y_{\max} = 26 \text{ mm}$
 - $l = 360 \text{ mm} \pm 1 \text{ mm}$
 - $h = 310 \text{ mm} \pm 1 \text{ mm}$

La dimension x résulte de l'installation des toilettes. Ce faisant, respectez la position de la porte de service (gabarits **(3)** et **(4)** sur l'emballage).

Découpe dans le mur pour le couvercle du réservoir

Pour les modèles Saneo BW et Saneo CW, montez un clapet de réservoir pour le réservoir d'eau intégré.

- ▶ Avec le gabarit, pratiquez une ouverture dans le mur extérieur (fig. **3** 1, page 4). Le gabarit du manuel est fortement réduit. Pour l'original, voir l'emballage.

Vous trouverez la description d'installation du couvercle du réservoir dans chapitre « Montage du clapet de réservoir », page 53.

5.3 Installation des toilettes



AVIS !

Tous les composants du système doivent être installés dans les zones sans gel. À basses températures, il existe un risque de dommages par l'action du gel.

- Installez les toilettes selon la description de l'exécution du modèle respectif.
- Installez les toilettes uniquement sur une paroi verticale, au même niveau.
- Laissez au moins 60 mm d'espace par rapport aux murs latéraux afin que le pivotement de la partie supérieure des toilettes (avec siège) ne soit pas limité.
- Pour l'installation, utilisez les croquis cotés et les gabarits :
 - **Saneo B, Saneo C** : fig. **4**, page 5
 - **Saneo BS, Saneo CS** : fig. **5**, page 6
 - **Saneo BW, Saneo CW** : fig. **5**, page 6
 - **Saneo BLP, Saneo CLP** : fig. **6**, page 7
 - **Dimensions de la fraise** : fig. **7**, page 8
 - **Alésages** : fig. **8**, page 9
 - **Rayons** : fig. **9**, page 10



REMARQUE

- Sur les gabarits pour les dimensions de la fraise, les alésages et les rayons, tenez compte du point de symétrie des toilettes (fig. **7** A, page 8, fig. **8** A, page 9, fig. **9** A, page 10).
- En cas d'installation des toilettes dans une salle de bains, le fabricant vous recommande de raccorder les toilettes avec le bac de la douche.

5.4 Installation des toilettes Saneo B, Saneo C

Le modèle autoportant Saneo B, Saneo C n'a aucun réservoir d'eau intégré. Installez ce modèle de telle sorte que la paroi se trouvant derrière puisse supporter l'élément de commande des toilettes, les raccordements électriques et éventuellement un réservoir d'eau. L'idéal est de placer une boîte devant le mur à cet effet (fig. 10, page 11).



REMARQUE

fig. 10, page 11 et fig. 11, page 11 montrent un exemple d'installation dans un bac à douche.

Veillez tenir compte du fait que la cassette dépasse de 112 mm du bâti de la cassette (fig. 11, page 11).

- Placez la partie inférieure du boîtier (fig. 11 1, page 11) en affleurement avec le cadre de montage de la porte de service (fig. 11 2, page 11), afin d'obtenir une transition parfaite, sans interstice.

Fixation des toilettes Saneo B, Saneo C

- Installez les toilettes à la position souhaitée.
- Vissez la plaque de base avec quatre vis (fig. 12 2, page 12).
- Placez les bouchons (fig. 12 1, page 12).
- Vissez ensuite le bâti des toilettes (avec max. 4 vis, non fournies) à la paroi (fig. 13, page 12).



REMARQUE

Gabarit 1:1 disponible auprès du fabricant.

- Insérez la cassette mobile du réservoir (fig. 19, page 15).

Installation du panneau de commande et de contrôle des toilettes Saneo B, Saneo C

Montez le panneau de commande et de contrôle à un endroit bien accessible dans le mur à proximité immédiate des toilettes.

- Avec le gabarit à l'échelle réelle (fig. 14, page 13), pratiquez une ouverture dans la paroi pour le panneau de commande et de contrôle.
- Branchez les fils électriques au niveau des raccords afin de monter le panneau de commande et de contrôle (chapitre « Raccordement électrique », page 54).

**ATTENTION !**

Il existe un risque de blessure si les ressorts se détendent !

- Poussez les ressorts de retenue du panneau de commande et de contrôle et insérez le panneau de commande dans l'ouverture du mur (fig. **15**, page 14).

5.5 Installation des toilettes Saneo BW, Saneo CW, Saneo BS, Saneo CS, Saneo BLP, Saneo CLP

Ces modèles ont une console de connexion murale. Le panneau de commande et de contrôle est intégré à la console de connexion murale.

Les modèles Saneo BW et Saneo CW ont un réservoir d'eau intégré, tandis que les modèles Saneo BS et Saneo CS n'ont aucun réservoir d'eau.

Installez tous les modèles avec console de connexion murale directement sur le mur (fig. **16**, page 14). Une fixation murale fixée précédemment est utilisée pour la fixation des toilettes et de la console.

- Vissez la fixation murale à l'horizontale à la hauteur suivante (fig. **17**, page 14):
Variante A :

Modèle	A	B	C	D
Saneo BW, Saneo BS	170 mm	96 mm	645 mm	652 mm
Saneo CW, Saneo CS	170 mm	96 mm	645 mm	652 mm
Saneo BLP, Saneo CLP	170 mm	96 mm	462 mm	469 mm

Variante B :

- **Saneo BW, Saneo BS** : h = 661 mm
- **Saneo CW, Saneo CS** : h = 661 mm
- **Saneo BLP, Saneo CLP** : h = 478 mm
- Placez le module complet des toilettes dans la position souhaitée, devant la fixation murale.
- Soulevez les toilettes et accrochez le bâti dans la fixation murale (fig. **18**, page 15).
- Vissez la plaque de base avec quatre vis (fig. **12** 2, page 12).
- Placez les bouchons (fig. **12** 1, page 12).
- Insérez la cassette mobile du réservoir (fig. **19**, page 15).

5.6 Raccordement à l'eau



REMARQUE

Sur les modèles Saneo xW avec réservoir d'eau intégrée, le raccordement à l'eau est monté en usine.

- Raccordez l'alimentation à l'eau via un raccordement de tuyau lisse (fig. 20 1, page 16). La buse de connexion n'est pas comprise dans la livraison.
- Effectuez un test d'étanchéité.



AVIS !

La pression de service (pression de l'eau) de l'électrovanne ne doit pas dépasser 6 bars.
L'électrovanne est endommagée par une pression excessive.

Étalonnage pour le test de puissance de chasse d'eau



REMARQUE

Alimentation en eau (pompe du véhicule) :
Les toilettes nécessitent, du côté du véhicule, min. 7 l/min à la sortie du tuyau de raccordement des toilettes, afin de garantir des performances de lavage suffisantes avec min. 5 l/min.

Pour l'étalonnage pour le test de puissance de chasse d'eau, il existe deux variantes :

Variante 1 :

- Débranchez le raccord du tuyau des toilettes de la canalisation du véhicule.
- Placez l'extrémité ouverte du tuyau dans un seau.
- Actionnez la chasse d'eau pendant 1 minute, grâce au panneau de commande des toilettes.
- Mesurez la quantité d'eau qui se trouve dans le seau.
La quantité d'eau qui se trouve dans le seau équivaut au débit d'eau en l/min.

Variante 2 :

- Débranchez le raccord du tuyau des toilettes de la canalisation du véhicule.
- Fixez un débitmètre d'eau Gardena sur la canalisation d'alimentation en eau des toilettes.
- Actionnez la chasse d'eau grâce au panneau de commande des toilettes.
- Lisez le débit en l/min sur le compteur d'eau Gardena.

5.7 Montage du clapet de réservoir

Pour les modèles Saneo BW et Saneo CW, montez un clapet de réservoir pour le réservoir d'eau intégré.

- Avec le gabarit, pratiquez une ouverture dans le mur extérieur (fig. **3** 1, page 4).
- Scellez le clapet du réservoir de manière étanche à l'eau (p. ex. avec du caoutchouc butyle).
- Remettez le clapet sur le réservoir.
- Vissez le clapet du réservoir avec quatre vis à tête fraisée C4x25 (non comprises à la livraison).
- Placez le joint torique sur le tube intérieur du clapet du réservoir (fig. **21**, page 16) :
 - **A** : Position du joint torique pour des épaisseurs de paroi de 30 mm – 50 mm
 - **B** : Position du joint torique pour des épaisseurs de paroi de 20,5 mm – 30 mm
- Graissez le joint torique. La tubulure de remplissage se raccorde ainsi facilement avec la partie supérieure du réservoir.

6 Raccordement électrique



AVERTISSEMENT !

Le raccordement électrique doit être effectué par du personnel qualifié.



AVIS !

- Ne raccordez pas directement les toilettes à l'alimentation en parallèle aux autres consommateurs connectés.
- Ne pas raccorder la commande des toilettes à une pompe à eau pressurisée.
- La puissance nominale d'une pompe à eau pressurisée externe ne doit pas dépasser 100 W.



REMARQUE

- La pompe à eau externe n'est pas incluse dans la livraison.
- Un fusible en amont n'est pas nécessaire, parce que la toilette est protégée en interne.

Légende de fig. **22**, page 17 :

Pos.	Désignation
1	Saneo
2	Pompe à eau
3	Commutateur
4	Boîtier des fusibles/de raccordement principal
5	Alimentation 12 V




L'affectation du panneau Touch Switch (fig. 23 A, page 18) et du panneau Tact Switch (fig. 23 B, page 18) est la suivante :

Pos.	Désignation
1	Raccordement à 5 pôles pour capteurs Reed, réservoir à cassette et micro-interrupteur cassette
2	Uniquement Saneo BW, CW : flotteur de l'indicateur de niveau du réservoir d'eau
3	Cavalier (uniquement panneau Touch Switch)
4	Uniquement Saneo B, C, BS, CS, BLP, CLP : Raccordement soupape Uniquement Saneo BW, CW : Raccordement pompe interne
5	Alimentation 12 V
6	Fusible (10 A)

- Raccordez les toilettes via le bornier principal du véhicule sur une alimentation propre (fig. 22, page 17 et fig. 23 5, page 18). Utilisez pour ce faire le câble correspondant (fig. 24, page 18):

Pos./couleur du câble	Désignation
A	Saneo B, BS, BLP, C, CS, CLP (ne pas utiliser en cas d'utilisation d'une pompe à eau pressurisée)
B	Saneo BW, CW
C	Saneo B, BS, BLP, C, CS, CLP avec pompe à eau pressurisée (Australie)
D	Saneo BW, CW (UK)
ws	Câble blanc, masse (-)
rt	Câble rouge, entrée (+)
bl	Câble bleu, sortie (+) ligne de commande pour une pompe externe (ne pas utiliser en cas d'utilisation d'une pompe à eau pressurisée)

7 Caractéristiques techniques

	Dometic Saneo
Tension d'alimentation :	12 V $\overline{=}$
Intensité absorbée :	2 A max. avec la pompe interne 10 A max. avec la pompe externe
Poids max. de la personne :	150 kg
Dimensions :	voir fig. 4 , page 5 à fig. 9 , page 10
Température de fonctionnement :	de 0 °C à +50 °C
Capacité :	16 l (réservoir à cassette) 7 l (réservoir d'eau douce, en option)
Conformité :	   10 R-047317



REMARQUE

Alimentation en eau (pompe du véhicule) :

Les toilettes nécessitent, du côté du véhicule, min. 7 l/min à la sortie du tuyau de raccordement des toilettes, afin de garantir des performances de lavage suffisantes avec min. 5 l/min.

Prima di effettuare il montaggio e la messa in funzione leggere accuratamente questo manuale di istruzioni, conservarlo e in caso di trasmissione del prodotto, consegnarlo all'utente successivo.

Indice

1	Spiegazione dei simboli	58
2	Indicazioni di sicurezza	58
2.1	Sicurezza di base	58
2.2	Indicazioni di montaggio	59
3	Conformità d'uso	59
4	Descrizione tecnica	59
4.1	Descrizione dei componenti	60
5	Montaggio della toilette	61
5.1	Montaggio della porta di servizio	61
5.2	Applicazione delle aperture sulla parete	61
5.3	Montaggio della toilette	62
5.4	Installazione toilette Saneo B, Saneo C	63
5.5	Montaggio toilette Saneo BW, Saneo CW, Saneo BS, Saneo CS, Saneo BLP, Saneo CLP	64
5.6	Allacciamento dell'acqua	65
5.7	Montaggio dello sportellino del serbatoio	66
6	Allacciamento elettrico	67
7	Specifiche tecniche	69

1 Spiegazione dei simboli

**AVVERTENZA!**

Avviso di sicurezza: la mancata osservanza di questo avviso può causare ferite gravi anche mortali.

**ATTENZIONE!**

Avviso di sicurezza: la mancata osservanza di questo avviso può essere causa di lesioni.

**AVVISO!**

La mancata osservanza di questa nota può causare danni materiali e compromettere il funzionamento del prodotto.

**NOTA**

Informazioni integranti relative all'impiego del prodotto.

2 Indicazioni di sicurezza

Il produttore non si assume nessuna responsabilità per danni nei seguenti casi:

- errori di montaggio o di allacciamento
- danni al prodotto dovuti a influenze meccaniche o a sovratensioni
- modifiche al prodotto senza esplicita autorizzazione del produttore
- impiego per altri fini rispetto a quelli descritti nel manuale di istruzioni

È possibile richiedere la dichiarazione di conformità al produttore (informazioni di contatto sul retro).

2.1 Sicurezza di base

**AVVERTENZA!**

- Il presente dispositivo può essere usato sia da bambini dagli 8 anni in su, sia da persone con ridotte capacità fisiche, sensoriali o mentali o con poca esperienza o conoscenze, se non lasciati soli o se istruiti sull'utilizzo sicuro dell'apparecchio e in grado di capire i pericoli che possono sorgere.
- La pulizia e la manutenzione da parte dell'utente non possono essere compiute da bambini lasciati soli.

- Controllare che i bambini non giochino con l'apparecchio.
- L'installazione della toilette può essere eseguita solo da personale specializzato e addestrato!



- Tutti i componenti del sistema devono essere montati in zone non esposte al gelo. In caso di temperature sotto allo zero esiste il pericolo che il ghiaccio danneggi i componenti.
- Non usare antigelo, perché potrebbe danneggiare il WC a cassetta.
- La pressione di funzionamento (pressione dell'acqua) della valvola magnetica non deve superare i 6 bar. La valvola magnetica si danneggia con la pressione aumentata.
- L'installazione elettrica deve essere eseguita in base alle prescrizioni nazionali e locali.
In Europa: EN 1645-1, EN 1646-1, EN 1648-1, EN 1648-2.

2.2 Indicazioni di montaggio

La toilette deve essere montata in modo tale da essere accessibile per i lavori di assistenza e deve poter essere installata e disinstallata facilmente dal veicolo senza eccessivo lavoro.

3 Conformità d'uso

La toilette è studiata per l'installazione e l'utilizzo in veicoli da diporto come camper e caravan.

4 Descrizione tecnica

Il WC a cassetta Saneo è composto di una toilette fissata nel veicolo e di una cassetta come serbatoio di scarico estraibile e trasportabile. La cassetta è accessibile dall'esterno attraverso una porta. In base al modello, la toilette riceve l'acqua per lo scarico da un serbatoio integrato nell'alloggiamento o dal serbatoio di acqua dolce del veicolo.

Esistono i seguenti modelli della toilette:

- **Saneo B, Saneo C:** autonomo, senza serbatoio dell'acqua, senza console
- **Saneo BS, Saneo CS:** autonomo, senza serbatoio dell'acqua, con console
- **Saneo BW, Saneo CW:** autonomo, con serbatoio dell'acqua nella console
- **Saneo BLP, Saneo CLP:** autonomo, senza serbatoio dell'acqua, console bassa

I modelli Saneo C possono essere dotati di uno scarico a intervalli (opzionale). L'acqua viene pompata in piccole dosi nella tazza del WC per ottenere un'irrorazione migliore e una pulizia migliore. L'irrorazione e la pulizia dipendono dalla quantità di acqua messa a disposizione nel veicolo.

4.1 Descrizione dei componenti

Pos. in fig. 1, pagina 3	Denominazione
1	Alloggiamento per il serbatoio a cassetta
2	Separatore per lo svuotamento della tazza del WC
3	Tazza del WC ruotabile, in plastica o ceramica
4	Coperchio e cerchio, smontabili
5	Console
6	Pannello di comando con spia del livello di riempimento e scarico
7	Solo Saneo BW, CW: Serbatoio di acqua dolce integrato
8	Solo Saneo BW, CW: Sportellino del serbatoio (sportellino richiudibile opzionale)
9	Serbatoio a cassetta
10	Porta di servizio

5 Montaggio della toilette

5.1 Montaggio della porta di servizio

La descrizione per il montaggio della porta di servizio è reperibile nel documento allegato ( **Dometic Seitz SK 5**, opzionale e in base al modello).

5.2 Applicazione delle aperture sulla parete

Apertura sulla parete per porta di servizio

- ▶ Creare un'apertura nella parete esterna con le seguenti misure (fig. **2**, pagina 3):
 - **A:** per la porta di servizio SK5 verticale:
 - $y_{\min} = 12,5 \text{ mm}$, $y_{\max} = 22 \text{ mm}$
 - $b = 310 \text{ mm} \pm 1 \text{ mm}$
 - $h = 360 \text{ mm} \pm 1 \text{ mm}$
 - **B:** per la porta di servizio SK5 orizzontale:
 - $y_{\min} = 12,5 \text{ mm}$, $y_{\max} = 26 \text{ mm}$
 - $b = 360 \text{ mm} \pm 1 \text{ mm}$
 - $h = 310 \text{ mm} \pm 1 \text{ mm}$

La misura x si ottiene con il posizionamento della toilette. Osservare la posizione della porta di servizio (dima **(3)** e **(4)** sulla confezione).

Apertura sulla parete sportellino del serbatoio

Montare per i modelli Saneo BW e Saneo CW uno sportellino per il serbatoio dell'acqua integrato.

- ▶ Con la dima (fig. **3** 1, pagina 4) creare un'apertura nella parete esterna. La dima nel manuale di istruzioni è notevolmente ridotta. Per l'originale vedere la confezione.

La descrizione per il montaggio dello sportellino del serbatoio è reperibile nel capitolo "Montaggio dello sportellino del serbatoio" a pagina 66.

5.3 Montaggio della toilette



AVVISO!

Tutti i componenti del sistema devono essere montati in zone non esposte al gelo. In caso di temperature sotto allo zero esiste il pericolo che il ghiaccio danneggi i componenti.

- Montare la toilette secondo la descrizione del relativo modello.
- Posizionare la toilette solo a contatto con una parete verticale.
- Lasciare almeno 60 mm di spazio dalle pareti laterali affinché l'orientamento della parte superiore della toilette (con la seduta) non venga limitato.
- Per il montaggio utilizzare gli schizzi quotati e le dime:
 - **Saneo B, Saneo C:** fig. **4**, pagina 5
 - **Saneo BS, Saneo CS:** fig. **5**, pagina 6
 - **Saneo BW, Saneo CW:** fig. **5**, pagina 6
 - **Saneo BLP, Saneo CLP:** fig. **6**, pagina 7
 - **Dimensioni fresatura:** fig. **7**, pagina 8
 - **Fori:** fig. **8**, pagina 9
 - **Raggi:** fig. **9**, pagina 10



NOTA

- Osservare nelle dime per le dimensioni della fresatura, i fori e i raggi, il punto simmetrico della toilette (fig. **7** A, pagina 8, fig. **8** A, pagina 9, fig. **9** A, pagina 10).
- Nel caso dell'installazione della toilette in un angolo bagno, il produttore consiglia di collegare la toilette alla vasca della doccia.

5.4 Installazione toilette Saneo B, Saneo C

Il modello autonomo Saneo B, Saneo C non possiede un serbatoio dell'acqua integrato. Installare questo modello in modo tale che la parete retrostante possa ospitare l'elemento di comando della toilette, i collegamenti elettrici ed eventualmente un serbatoio dell'acqua. L'ideale è di posizionare una cassa davanti alla parete (fig. 10, pagina 11).



NOTA

fig. 10, pagina 11 e fig. 11, pagina 11 mostrano l'esempio di installazione nella vasca di una doccia.

Osservare che la cassetta sporge di 112 mm dall'alloggiamento (fig. 11, pagina 11).

- Posizionare il fondo dell'alloggiamento (fig. 11 1, pagina 11) a contatto con il telaio di montaggio della porta di servizio (fig. 11 2, pagina 11) in modo tale che non si formi una fessura.

Fissaggio toilette Saneo B, Saneo C

- Mettere la toilette nella posizione desiderata.
- Serrare la piastra di fondo con quattro viti (fig. 12 2, pagina 12).
- Posizionare i cappucci di protezione (fig. 12 1, pagina 12).
- Serrare quindi l'alloggiamento della toilette (con massimo 4 viti, non in dotazione) alla parete (fig. 13, pagina 12).



NOTA

Dima 1:1 disponibile presso il produttore.

- Inserire la cassetta del serbatoio (fig. 19, pagina 15).

Montaggio dell'unità di controllo e di comando della toilette Saneo B, Saneo C

Installare l'unità di controllo e di comando nella parete in prossimità della toilette in una posizione facilmente raggiungibile.

- Creare un'apertura nella parete per l'unità di controllo e di comando con la dima in scala (fig. 14, pagina 13).
- Collegare il cavo elettrico agli innesti per l'installazione dell'unità di controllo e di comando (capitolo "Allacciamento elettrico" a pagina 67).

**ATTENZIONE!**

Esiste il pericolo di lesioni per molle di rimbalzo!

- Premere i supporti a griffe dell'unità di controllo e di comando e spingere l'unità nell'apertura della parete (fig. **15**, pagina 14).

5.5 Montaggio toilette Saneo BW, Saneo CW, Saneo BS, Saneo CS, Saneo BLP, Saneo CLP

Questi modelli hanno una console dei collegamenti nella parete. L'unità di controllo e di comando è integrata nella console dei collegamenti nella parete.

I modelli Saneo BW e Saneo CW dispongono di un serbatoio dell'acqua integrato, mentre i modelli Saneo BS e Saneo CS no.

Posizionare tutti i modelli con la console dei collegamenti direttamente nella parete dell'abitacolo (fig. **16**, pagina 14). Per il fissaggio della toilette e della console serve un supporto da parete precedentemente montato.

- Avvitare il supporto da parete in orizzontale alla seguente altezza (fig. **17**, pagina 14):

Variante A:

Modello	A	B	C	D
Saneo BW, Saneo BS	170 mm	96 mm	645 mm	652 mm
Saneo CW, Saneo CS	170 mm	96 mm	645 mm	652 mm
Saneo BLP, Saneo CLP	170 mm	96 mm	462 mm	469 mm

Variante B:

- **Saneo BW, Saneo BS:** h = 661 mm
 - **Saneo CW, Saneo CS:** h = 661 mm
 - **Saneo BLP, Saneo CLP:** h = 478 mm
- Portare l'intero modulo della toilette nella posizione desiderata davanti al supporto da parete.
 - Sollevare la toilette e appendere l'alloggiamento al supporto da parete (fig. **18**, pagina 15).
 - Serrare la piastra di fondo con quattro viti (fig. **12** 2, pagina 12).
 - Posizionare i cappucci di protezione (fig. **12** 1, pagina 12).
 - Inserire la cassetta del serbatoio (fig. **19**, pagina 15).

5.6 Allacciamento dell'acqua



NOTA

Nei modelli Saneo xW con serbatoio dell'acqua integrato, l'allacciamento dell'acqua è montato in fabbrica.

- ▶ Collegare l'alimentazione di acqua tramite un tubo flessibile liscio (fig. 20 1, pagina 16). Il raccordo non è fornito in dotazione.
- ▶ Eseguire un controllo della tenuta.



AVVISO!

La pressione di funzionamento (pressione dell'acqua) della valvola magnetica non deve superare i 6 bar.
La valvola magnetica si danneggia con la pressione aumentata.

Dosaggio per il test di scarico



NOTA

Approvvigionamento di acqua (pompa del veicolo):
La toilette necessita dal veicolo almeno di 7 l/min. di acqua sull'uscita del raccordo del flessibile della toilette per poter garantire uno scarico sufficiente con almeno 5 l/min.

Per effettuare il dosaggio per il test di scarico esistono due varianti:

Variante 1:

- ▶ Scollegare il raccordo del tubo flessibile della toilette dal tubo nel veicolo.
- ▶ Mettere l'estremità aperta del tubo in un secchio.
- ▶ Attivare lo scarico per 1 minuto attraverso l'apposito elemento di comando nella toilette.
- ▶ Misurare la quantità di acqua che si trova nel secchio.
La quantità di acqua che si trova nel secchio corrisponde al flusso di acqua in l/min.

Variante 2:

- ▶ Scollegare il raccordo del tubo flessibile della toilette dal tubo nel veicolo.
- ▶ Collegare un contatore dell'acqua Gardena all'alimentazione di acqua della toilette.
- ▶ Attivare lo scarico attraverso l'apposito elemento di comando nella toilette.
- ▶ Leggere il flusso di acqua in l/min. sul contatore dell'acqua Gardena.

5.7 Montaggio dello sportellino del serbatoio

Montare per i modelli Saneo BW e Saneo CW uno sportellino per il serbatoio dell'acqua integrato.

- ▶ Con la dima (fig. **3** 1, pagina 4) creare un'apertura nella parete esterna.
- ▶ Isolare a tenuta stagna lo sportellino del serbatoio (ad es. con gomma butile).
- ▶ Posizionare lo sportellino sul serbatoio.
- ▶ Serrare lo sportellino del serbatoio con quattro viti a testa svasata C4x25 (non in dotazione).
- ▶ Inserire l'O-ring sul tubo interno dello sportellino del serbatoio (fig. **21**, pagina 16):
 - **A:** Posizione dell'O-ring per pareti con spessore da 30 mm a 50 mm
 - **B:** Posizione dell'O-ring per pareti con spessore da 20,5 mm a 30 mm
- ▶ Ingrassare l'O-ring. In questo modo, il bocchettone di riempimento si collega facilmente con la parte alta del serbatoio.

6 Allacciamento elettrico



AVVERTENZA!

L'allacciamento elettrico deve essere eseguito da personale specializzato.



AVVISO!

- Non allacciare la toilette direttamente alla tensione di alimentazione in parallelo con altre utenze.
- Non collegare il comando della toilette a una pompa idraulica a pressione.
- La potenza nominale di un pompa dell'acqua esterna non deve superare 100 W.



NOTA

- La pompa dell'acqua esterna non è fornita in dotazione.
- Non è necessario installare un fusibile, perché la toilette ne possiede già uno internamente.

Legenda per fig. **22**, pagina 17:

Pos.	Denominazione
1	Saneo
2	Pompa dell'acqua
3	Interruttore
4	Scatola dei fusibili/collegamenti principali
5	Tensione di 12 V




L'assegnazione dell'elemento di comando Touch-Switch (fig. 23 A, pagina 18) e dell'elemento di comando Tact-Switch (fig. 23 B, pagina 18) è la seguente:

Pos.	Denominazione
1	Collegamento a 5 poli per sensori reed serbatoio a cassetta e microinterruttore cassetta
2	Solo Saneo BW, CW: Galleggiante indicazione del livello serbatoio dell'acqua
3	Ponticello (solo elemento di comando Touch-Switch)
4	Solo Saneo B, C, BS, CS, BLP, CLP: Collegamento valvola Solo Saneo BW, CW: Collegamento pompa interna
5	Tensione di 12 V
6	Fusibile (10 A)

- Allacciare la toilette a una tensione di alimentazione propria, tramite il blocco di allacciamento principale del veicolo (fig. 22, pagina 17 e fig. 23 5, pagina 18). Utilizzare a tal fine il cavo corrispondente (fig. 24, pagina 18):

Pos./colore cavo	Denominazione
A	Saneo B, BS, BLP, C, CS, CLP (non utilizzare in caso di impiego di un pompa idraulica a pressione)
B	Saneo BW, CW
C	Saneo B, BS, BLP, C, CS, CLP con pompa idraulica a pressione (Australia)
D	Saneo BW, CW (UK)
ws	cavo bianco, massa (-)
rt	cavo rosso, ingresso (+)
bl	cavo blu, uscita (+) cavo di comando per una pompa esterna (non utilizzare in caso di impiego di un pompa idraulica a pressione)

7 Specifiche tecniche

	Dometic Saneo
Tensione di alimentazione:	12 V $\overline{=}$
Corrente assorbita:	max 2 A con pompa interna max 10 A con pompa esterna
Peso massimo della persona:	150 kg
Dimensioni:	vedi fig. 4 , pagina 5 a fig. 9 , pagina 10
Temperatura di esercizio:	da 0 °C a +50 °C
Capacità:	16 l (serbatoio a cassetta) 7 l (serbatoio di acqua dolce, opzionale)
Marchio di collaudo:	   10 R-047317



NOTA

Approvvigionamento di acqua (pompa del veicolo):

La toilette necessita dal veicolo almeno di 7 l/min. di acqua sull'uscita del raccordo del flessibile della toilette per poter garantire uno scarico sufficiente con almeno 5 l/min.

Lees deze handleiding voor de montage en de ingebruikname zorgvuldig door en bewaar hem. Geef de handleiding bij het doorgeven van het product aan de gebruiker.

Inhoudsopgave

1	Verklaring van de symbolen	71
2	Veiligheidsinstructies	71
2.1	Algemene veiligheid	72
2.2	Montage-instructies	72
3	Reglementair gebruik	72
4	Technische beschrijving	73
4.1	Beschrijving van de componenten	73
5	Toilet monteren	74
5.1	Service deur monteren	74
5.2	Wanduitsparingen maken	74
5.3	Toilet opstellen	75
5.4	Toilet Saneo B, Saneo C opstellen	76
5.5	Toilet Saneo BW, Saneo CW, Saneo BS, Saneo CS, Saneo BLP, Saneo CLP opstellen	77
5.6	Wateraansluiting	78
5.7	Montage van de tankklep	79
6	Elektrische aansluiting	80
7	Technische gegevens	82

1 Verklaring van de symbolen

**WAARSCHUWING!**

Veiligheidsaanwijzing: Het niet naleven kan leiden tot overlijden of ernstig letsel.

**VOORZICHTIG!**

Veiligheidsaanwijzing: Het niet naleven kan leiden tot letsel.

**LET OP!**

Het niet naleven ervan kan leiden tot materiële schade en de werking van het product beperken.

**INSTRUCTIE**

Aanvullende informatie voor het bedienen van het product.

2 Veiligheidsinstructies

De fabrikant kan in de volgende gevallen niet aansprakelijk worden gesteld voor schade:

- montage- of aansluitfouten
- beschadiging van het product door mechanische invloeden en overspanningen
- veranderingen aan het product zonder uitdrukkelijke toestemming van de fabrikant
- gebruik voor andere dan de in de handleiding beschreven toepassingen

De verklaring van overeenstemming kan bij de fabrikant worden opgevraagd (contactgegevens, zie achterzijde).

2.1 Algemene veiligheid



WAARSCHUWING!

- Dit toestel kan door kinderen vanaf 8 jaar en ouder evenals door personen met verminderde fysieke, zintuiglijke of geestelijke vermogens of tekortschietende ervaring en kennis gebruikt worden, als ze worden begeleid of hun is uitgelegd hoe ze het toestel veilig kunnen gebruiken. Ook dienen ze inzicht te hebben in de gevaren die het gebruik van het toestel met zich meebrengt.
- Reiniging en onderhoud mogen niet door kinderen zonder begeleiding worden uitgevoerd.
- Er moet toezicht worden gehouden op kinderen om te voorkomen dat ze met het toestel spelen.
- Het toilet mag uitsluitend door geschoold personeel worden gemonteerd.



- Alle componenten van het systeem moeten in vorstvrije omgeving worden gemonteerd. Bij temperaturen onder nul bestaat er gevaar voor beschadiging door vorst.
- Gebruik geen antivriesmiddelen. Deze middelen kunnen het cassette-toilet beschadigen.
- De bedrijfsdruk (waterdruk) van het magneetventiel mag niet meer dan 6 bar bedragen. De magneetklep raakt door een te hoge druk beschadigd.
- De elektrische installatie moet volgens de nationale en plaatselijke voorschriften worden uitgevoerd.
In Europa: EN 1645-1, EN 1646-1, EN 1648-1, EN 1648-2.

2.2 Montage-instructies

Het toilet moet principieel zodanig gemonteerd worden dat het voor onderhoud goed toegankelijk is, eenvoudig kan worden gemonteerd en gedemonteerd en zonder veel moeite uit het voertuig kan worden genomen.

3 Reglementair gebruik

Dit toilet is bestemd voor de inbouw en het gebruik in vrijetijdsvoertuigen, zoals caravans of campers.

4 Technische beschrijving

Het cassettetoilet Saneo bestaat uit een in het voertuig geïnstalleerd toilet en een uitneembare, verrijdbare cassette als vuilwatertank. De cassette is vanaf buiten door een deur bereikbaar. Afhankelijk van het model krijgt het toilet het spoelwater uit een in de behuizing geïntegreerde tank of uit de verswatertank van het voertuig.

Het toilet is beschikbaar in de volgende uitvoeringen:

- **Saneo B, Saneo C:** vrijstaand, zonder watertank, zonder console
- **Saneo BS, Saneo CS:** vrijstaand, zonder watertank, met console
- **Saneo BW, Saneo CW:** vrijstaand, met watertank in de console
- **Saneo BLP, Saneo CLP:** vrijstaand, zonder watertank, lage console


Saneo C-modellen kunnen voorzien zijn van een intervalspoeling (optioneel). Hierbij wordt water met korte stoten in de toiletpot gepompt om een verbeterde spoeling en reiniging te bereiken. De spoeling en reiniging zijn afhankelijk van de ter beschikking gestelde waterhoeveelheid in het voertuig.

4.1 Beschrijving van de componenten

Pos. in afb. 1 , pagina 3	Omschrijving
1	Behuizing voor cassettetank
2	Afvoerschuiif voor de toiletpot
3	Toiletpot draaibaar, kunststof of keramiek
4	Deksel en bril, afneembaar
5	Console
6	Bedieningspaneel met vulstandindicatie en spoeling
7	Alleen Saneo BW, CW: geïntegreerde verswatertank
8	Alleen Saneo BW, CW: tankklep (afsluitbare tankklep optioneel)
9	Cassettetank
10	Servicedeur

5 Toilet monteren

5.1 Servicedeur monteren

De beschrijving voor de montage van de servicedeur vindt u in het bijgevoegde document ( **Dometic Seitz SK 5**, optioneel en afhankelijk van het model).

5.2 Wanduitsparingen maken

Wanduitsparing servicedeur

- ▶ Breng een opening in de buitenwand aan met de volgende afmetingen (afb. **2**, pagina 3):
 - **A:** voor servicedeur SK5 verticaal:
 - $y_{\min} = 12,5 \text{ mm}$, $y_{\max} = 22 \text{ mm}$
 - $b = 310 \text{ mm} \pm 1 \text{ mm}$
 - $h = 360 \text{ mm} \pm 1 \text{ mm}$
 - **B:** voor servicedeur SK5 horizontaal:
 - $y_{\min} = 12,5 \text{ mm}$, $y_{\max} = 26 \text{ mm}$
 - $b = 360 \text{ mm} \pm 1 \text{ mm}$
 - $h = 310 \text{ mm} \pm 1 \text{ mm}$

De afmeting x ontstaat door de opstelling van het toilet. Let hierbij op de positie van de servicedeur (sjabloon **(3)** en **(4)** op de verpakking).

Wanduitsparing tankklep

Monteer bij de modellen Saneo BW en Saneo CW een tankklep voor de geïntegreerde watertank.

- ▶ Maak met de sjabloon (afb. **3** 1, pagina 4) een opening in de buitenwand. De sjabloon in de handleiding is sterk verkleind. Origineel, zie verpakking.

De montagebeschrijving van de tankklep vindt u in hoofdstuk „Montage van de tankklep” op pagina 79.

5.3 Toilet opstellen



LET OP!

Alle componenten van het systeem moeten in vorstvrije omgeving worden gemonteerd. Bij temperaturen onder nul bestaat er gevaar voor beschadiging door vorst.

- Monteer het toilet overeenkomstig de beschrijving van de betreffende model-uitvoering.
- Stel het toilet alleen vlak tegen een verticale muur op.
- Laat minstens 60 mm ruimte tot wanden aan de zijkant, zodat het draaien van het bovenste toiletdeel (met zitting) niet beperkt wordt.
- Gebruik de maattekeningen en sjablonen voor de montage:
 - **Saneo B, Saneo C:** afb. **4**, pagina 5
 - **Saneo BS, Saneo CS:** afb. **5**, pagina 6
 - **Saneo BW, Saneo CW:** afb. **5**, pagina 6
 - **Saneo BLP, Saneo CLP:** afb. **6**, pagina 7
 - **Freesmaten:** afb. **7**, pagina 8
 - **Boorgaten:** afb. **8**, pagina 9
 - **Radiussen:** afb. **9**, pagina 10



INSTRUCTIE

- Let bij de sjablonen voor freesmaten, boorgaten en radiussen op het symmetriepunt van het toilet (afb. **7** A, pagina 8, afb. **8** A, pagina 9, afb. **9** A, pagina 10).
- Bij de montage van het toilet in een natte cel raden we aan om het toilet met de douchecel te verbinden.

5.4 Toilet Saneo B, Saneo C opstellen

Het vrijstaande model Saneo B, Saneo C heeft geen geïntegreerde watertank. Stel dit model zo op dat de erachter liggende wand het bedieningselement van het toilet, de elektrische aansluitingen en eventueel een watertank kan opnemen. Het is hiervoor ideaal een kast voor de wand te plaatsen (afb. **10**, pagina 11).



INSTRUCTIE

afb. **10**, pagina 11 en afb. **11**, pagina 11 tonen een voorbeeldmontage in een douchecel.

Houd er rekening mee dat de cassette 112 mm uit de cassettebehuizing steekt (afb. **11**, pagina 11).

- Plaats de behuizingsbodem (afb. **11** 1, pagina 11) vlak tegen het inbouwframe van de servicedeur (afb. **11** 2, pagina 11) zodat er een overgang zonder spleet ontstaat.

Toilet Saneo B, Saneo C bevestigen

- Plaats het toilet op de gewenste positie.
- Schroef de bodemplaat vast met vier schroeven (afb. **12** 2, pagina 12).
- Breng de afdekkappen aan (afb. **12** 1, pagina 12).
- Schroef daarna de toiletbehuizing (met maximaal 4 schroeven, niet meegeleverd) vast aan de wand (afb. **13**, pagina 12).



INSTRUCTIE

1:1-sjabloon verkrijgbaar bij de fabrikant.

- Schuif de verrijdbare tankcassette in (afb. **19**, pagina 15).

Controle- en bedieningspaneel van het toilet Saneo B, Saneo C monteren

Monteer het controle- en bedieningspaneel op een goed bereikbare plaats in een wand in de directe omgeving van het toilet.

- Maak voor het controle- en bedieningspaneel met behulp van de sjabloon op schaal (afb. **14**, pagina 13) een opening in de wand.
- Verbind de elektrische kabels met de koppelingen voor de montage van het controle- en bedieningspaneel (hoofdstuk „Elektrische aansluiting“ op pagina 80).

**VOORZICHTIG!**

Er bestaat gevaar voor letsel door terugspringende veren!

- Druk de bevestigingsveren van het controle- en bedieningspaneel in en schuif het in de uitsparing in de wand (afb. **15**, pagina 14).

5.5 Toilet Saneo BW, Saneo CW, Saneo BS, Saneo CS, Saneo BLP, Saneo CLP opstellen

Deze modellen hebben een wandaansluitingsconsole. Het controle- en bedieningspaneel is in de wandaansluitingsconsole geïntegreerd.

De modellen Saneo BW en Saneo CW beschikken over een geïntegreerde watertank, terwijl de modellen Saneo BS en Saneo CS geen watertank bezitten.

Plaats alle modellen met wandaansluitingsconsole direct tegen de wand (afb. **16**, pagina 14). Voor de bevestiging van het toilet en de console dient een voordien aangebrachte wandhouder.

- Schroef de wandhouder horizontaal op de volgende hoogte vast (afb. **17**, pagina 14):

Variant A:

Model	A	B	C	D
Saneo BW, Saneo BS	170 mm	96 mm	645 mm	652 mm
Saneo CW, Saneo CS	170 mm	96 mm	645 mm	652 mm
Saneo BLP, Saneo CLP	170 mm	96 mm	462 mm	469 mm

Variant B:

- **Saneo BW, Saneo BS:** h = 661 mm
 - **Saneo CW, Saneo CS:** h = 661 mm
 - **Saneo BLP, Saneo CLP:** h = 478 mm
- Breng de complete toiletmodule in de gewenste positie voor de wandhouder.
 - Til het toilet op en haak de behuizing in de wandhouder (afb. **18**, pagina 15).
 - Schroef de bodemplaat vast met vier schroeven (afb. **12** 2, pagina 12).
 - Breng de afdekkappen aan (afb. **12** 1, pagina 12).
 - Schuif de verrijdbare tankcassette in (afb. **19**, pagina 15).

5.6 Wateriaansluiting



INSTRUCTIE

Bij de modellen Saneo xW met geïntegreerde watertank is de wateraansluiting standaard gemonteerd.

- Sluit de watervoorziening aan via een gladde slangaansluiting (afb. 20 1, pagina 16). De aansluitingstule is niet bij de levering inbegrepen.
- Voer een lektest uit.



LET OP!

De bedrijfsdruk (waterdruk) van het magneetventiel mag niet meer dan 6 bar bedragen.

De magneetklep raakt door een te hoge druk beschadigd.

Inhoud meten voor de spoelcapaciteitstest



INSTRUCTIE

Watervoorziening (pomp aan voertuigzijde):

Het toilet heeft aan de voertuigzijde minstens 7 l/min aan de uitgang van de slangaansluiting van het toilet nodig om een voldoende spoelcapaciteit van minstens 5 l/min te garanderen.

Voor het meten van de inhoud voor de spoelcapaciteitstest zijn er twee varianten:

Variant 1:

- Scheid de slangverbinding van het toilet van de leiding aan voertuigzijde.
- Hang het open uiteinde van de leiding in een emmer.
- Bedien 1 minuut lang de spoeling via het bedieningselement.
- Meet de hoeveelheid water die zich in de emmer bevindt.
De hoeveelheid water die zich in de emmer bevindt, komt overeen met de waterdoorvoer in l/min.

Variante 2:

- Scheid de slangverbinding van het toilet van de leiding aan voertuigzijde.
- Sluit een Gardena-waterdebietmeter aan op de waterleiding van het toilet.
- Bedien de spoeling via het bedieningselement.
- Lees het waterdebiet in l/min af van de Gardena-waterdebietmeter.

5.7 Montage van de tankklep

Monteer bij de modellen Saneo BW en Saneo CW een tankklep voor de geïntegreerde watertank.

- Maak met de sjabloon (afb. **3** 1, pagina 4) een opening in de buitenwand.
- Dicht de tankklep waterdicht af (bijv. met butyleenkit).
- Plaats de tankklep op de tank.
- Schroef de tankklep vast met vier verzonken schroeven C4x25 (niet bij de levering inbegrepen).
- Schuif de O-ring op de binnenpijp van de tankklep (afb. **21**, pagina 16):
 - **A:** positie van de O-ring bij wanddiktes 30 mm – 50 mm
 - **B:** positie van de O-ring bij wanddiktes 20,5 mm – 30 mm
- Vet de O-ring in. Daardoor kan de vulaansluiting eenvoudig met het bovenste deel van de tank worden verbonden.

6 Elektrische aansluiting



WAARSCHUWING!

De elektrische aansluiting moet door geschoold personeel worden uitgevoerd.



LET OP!

- Toilet niet direct parallel met andere verbruikers op de spanningsvoorziening aansluiten.
- De besturing van het toilet niet op een drukwaterpomp aansluiten.
- Het nominale vermogen van een externe waterpomp mag niet meer dan 100 W bedragen.



INSTRUCTIE

- De externe waterpomp is niet bij de levering inbegrepen.
- Een verzekering is niet nodig omdat het toilet intern beveiligd is.

Legenda bij afb. **22**, pagina 17:

Pos.	Omschrijving
1	Saneo
2	Waterpomp
3	Schakelaar
4	Zekeringen-/hoofdaansluitkast
5	12 V-voeding

De bezetting van het Touch-Switch-bedieningselement (afb. **23** A, pagina 18) en het Tact-Switch-bedieningselement (afb. **23** B, pagina 18) is als volgt:

Pos. Omschrijving




1	5-polige aansluiting voor Reed-sensoren cassetetank en microschakelaar cassette
2	Alleen Saneo BW, CW: Vulstandindicatie watertank d.m.v. vlotter
3	Jumper (alleen Touch-Switch-bedieningselement)
4	Alleen Saneo B, C, BS, CS, BLP, CLP: aansluiting klep Alleen Saneo BW, CW: aansluiting interne pomp
5	12 V-voeding
6	Zekering (10 A)

- Sluit het toilet via het hoofdaansluitblok van het voertuig aan op een eigen spanningsvoorziening (afb. **22**, pagina 17 en afb. **23** 5, pagina 18). Gebruik daarvoor de juiste kabel (afb. **24**, pagina 18):

Pos./kabelkleur Omschrijving

A	Saneo B, BS, BLP, C, CS, CLP (niet gebruiken bij toepassing van een drukwaterpomp)
B	Saneo BW, CW
C	Saneo B, BS, BLP, C, CS, CLP met drukwaterpomp (Australië)
D	Saneo BW, CW (UK)
ws	witte kabel, massa (-)
rt	rode kabel, ingang (+)
bl	blauwe kabel, uitgang (+) stuurkabel voor een externe pomp (niet gebruiken bij toepassing van een drukwaterpomp)

7 Technische gegevens

	Dometic Saneo
Voedingsspanning:	12 V $\overline{=}$
Stroomverbruik:	max. 2 A bij interne pomp max. 10 A bij externe pomp
Max. personengewicht:	150 kg
Afmetingen:	zie afb. 4 , pagina 5 tot afb. 9 , pagina 10
Bedrijfstemperatuur:	0 °C tot +50 °C
Inhoud:	16 l (cassettetank) 7 l (verswatertank, optioneel)
Keurmerk:	   10 R-047317



INSTRUCTIE

Watervoorziening (pomp aan voertuigzijde):
Het toilet heeft aan de voertuigzijde minstens 7 l/min aan de uitgang van de slangaansluiting van het toilet nodig om een voldoende spoelcapaciteit van minstens 5 l/min te garanderen.

GERMANY**Dometic WAECO International GmbH**

Hollefeldstraße 63 · D-48282 Emsdetten
 ☎ +49 (0) 2572 879-195 · 📠 +49 (0) 2572 879-322
 Mail: info@dometic-waeco.de

dometic.com**AUSTRALIA****Dometic Australia Pty. Ltd.**

1 John Duncan Court
 Varsity Lakes QLD 4227
 ☎ 1800 212121
 📠 +61 7 55076001
 Mail: sales@dometic.com.au

AUSTRIA**Dometic Austria GmbH**

Neudorferstraße 108
 A-2353 Guntramsdorf
 ☎ +43 2236 908070
 📠 +43 2236 90807060
 Mail: info@dometic.at

BENELUX**Dometic Branch Office Belgium**

Zincstraat 3
 B-1500 Halle
 ☎ +32 2 3598040
 📠 +32 2 3598050
 Mail: info@dometic.be

BRAZIL**Dometic DO Brasil LTDA**

Avenida Paulista 1754, conj. 111
 SP 01310-920 Sao Paulo
 ☎ +55 11 3251 3352
 📠 +55 11 3251 3362
 Mail: info@dometic.com.br

DENMARK**Dometic Denmark A/S**

Nordensvej 15, Taulov
 DK-7000 Fredericia
 ☎ +45 75585966
 📠 +45 75586307
 Mail: info@dometic.dk

FINLAND**Dometic Finland OY**

Mestariitie 4
 FIN-01730 Vantaa
 ☎ +358 20 7413220
 📠 +358 9 7593700
 Mail: info@dometic.fi

FRANCE**Dometic SAS**

ZA du Pré de la Dame Jeanne
 B.P. 5
 F-60128 Pleilly
 ☎ +33 3 44633525
 📠 +33 3 44633518
 Mail: vehiculesdeloisirs@dometic.fr

HONG KONG**Dometic Group Asia Pacific**

Suites 2207-11 / 22/F - Tower 1
 The Gateway - 25 Canton Road,
 Tsim Sha Tsui - Kowloon
 ☎ +852 2 4611386
 📠 +852 2 4665553
 Mail: info@waeco.com.hk

HUNGARY**Dometic Zrt. Sales Office**

Kerekgyártó u. 5.
 H-1147 Budapest
 ☎ +36 1 468 4400
 📠 +36 1 468 4401
 Mail: budapest@dometic.hu

ITALY**Dometic Italy S.r.l.**

Via Virgilio, 3
 I-47122 Forlì (FC)
 ☎ +39 0543 754901
 📠 +39 0543 754983
 Mail: vendite@dometic.it

JAPAN**Dometic KK**

Maekawa-Shibaura, Bldg. 2
 2-13-9 Shibaura Minato-ku
 Tokyo 108-0023
 ☎ +81 3 5445 3333
 📠 +81 3 5445 3339
 Mail: info@dometic.jp

MEXICO**Dometic Mx, S. de R. L. de C. V.**

Circuito Médicos No. 6 Local 1
 Colonia Ciudad Satélite
 CP 53100 Naucalpan de Juárez
 Estado de México
 ☎ +52 55 5374 4108
 📠 +52 55 5393 4683
 Mail: info@dometic.com.mx

NETHERLANDS**Dometic Benelux B.V.**

Ecustraet 3
 NL-4879 NP Etten-Leur
 ☎ +31 76 5029000
 📠 +31 76 5029019
 Mail: info@dometic.nl

NEW ZEALAND**Dometic New Zealand Ltd.**

PO Box 12011
 Penrose
 Auckland 1642
 ☎ +64 9 622 1490
 📠 +64 9 622 1573
 Mail: customerservices@dometic.co.nz

NORWAY**Dometic Norway AS**

Østerøyveien 46
 N-3232 Sandefjord
 ☎ +47 33428450
 📠 +47 33428459
 Mail: firmapost@dometic.no

POLAND**Dometic Poland Sp. z o.o.**

Ul. Puławska 435A
 PL-02-801 Warszawa
 ☎ +48 22 414 3200
 📠 +48 22 414 3201
 Mail: info@dometic.pl

PORTUGAL**Dometic Spain, S.L.**

Branch Office em Portugal
 Rot. de São Gonçalo nº 1 – Esc. 12
 2775-399 Carcavelos
 ☎ +351 219 244 173
 📠 +351 219 243 206
 Mail: info@dometic.pt

RUSSIA**Dometic RUS LLC**

Komsomolskaya square 6-1
 RU-107140 Moscow
 ☎ +7 495 780 79 39
 📠 +7 495 916 56 53
 Mail: info@dometic.ru

SINGAPORE**Dometic Pte Ltd**

18 Boon Lay Way 06-140 Trade Hub 21
 Singapore 609966
 ☎ +65 6795 3177
 📠 +65 6862 6620
 Mail: dometic@dometic.com.sg

SLOVAKIA**Dometic Slovakia s.r.o. Sales Office Bratislava**

Nádražná 34/A
 900 28 Ivanka pri Dunaji
 ☎/📠 +421 2 45 529 680
 Mail: bratislava@dometic.com

SOUTH AFRICA**Dometic (Pty) Ltd.****Regional Office****South Africa & Sub-Saharan Africa**

2 Avalon Road
 West Lake View Ext 11
 Modderfontein 1645
 Johannesburg
 ☎ +27 11 4504978
 📠 +27 11 4504976
 Mail: info@dometic.co.za

SPAIN**Dometic Spain S.L.**

Avda. Sierra del Guadarrama, 16
 E-28691 Villanueva de la Cañada
 Madrid
 ☎ +34 91 833 60 89
 📠 +34 900 100 245
 Mail: info@dometic.es

SWEDEN**Dometic Scandinavia AB**

Gustaf Melins gata 7
 S-42131 Västra Frölunda
 ☎ +46 31 7341100
 📠 +46 31 7341101
 Mail: info@dometicgroup.se

SWITZERLAND**Dometic Switzerland AG**

Riedackerstrasse 7a
 CH-8153 Rümlang
 ☎ +41 44 8187171
 📠 +41 44 8187191
 Mail: info@dometic.ch

UNITED ARAB EMIRATES**Dometic Middle East FZCO**

P. O. Box 17860
 S-D 6, Jebel Ali Freezone
 Dubai
 ☎ +971 4 883 3858
 📠 +971 4 883 3868
 Mail: info@dometic.ae

UNITED KINGDOM**Dometic UK Ltd.**

Dometic House, The Brewery
 Blandford St. Mary
 Dorset DT11 9LS
 ☎ +44 344 626 0133
 📠 +44 344 626 0143
 Mail: customerservices@dometic.co.uk

USA**Dometic RV Division**

1120 North Main Street
 Elkhart, IN 46515
 ☎ +1 574-264-2131