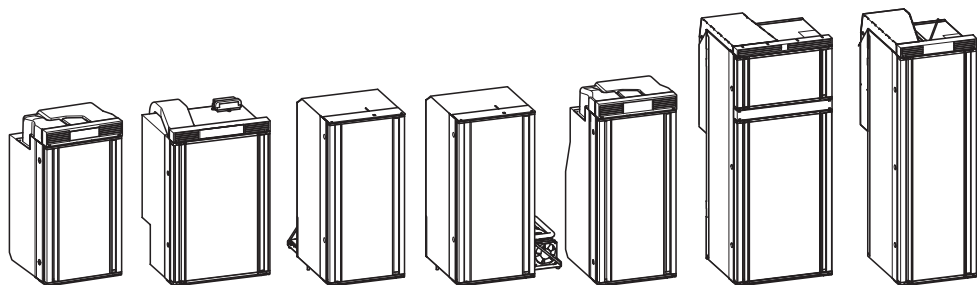


↗ DOMETIC REFRIGERATION 10-SERIES

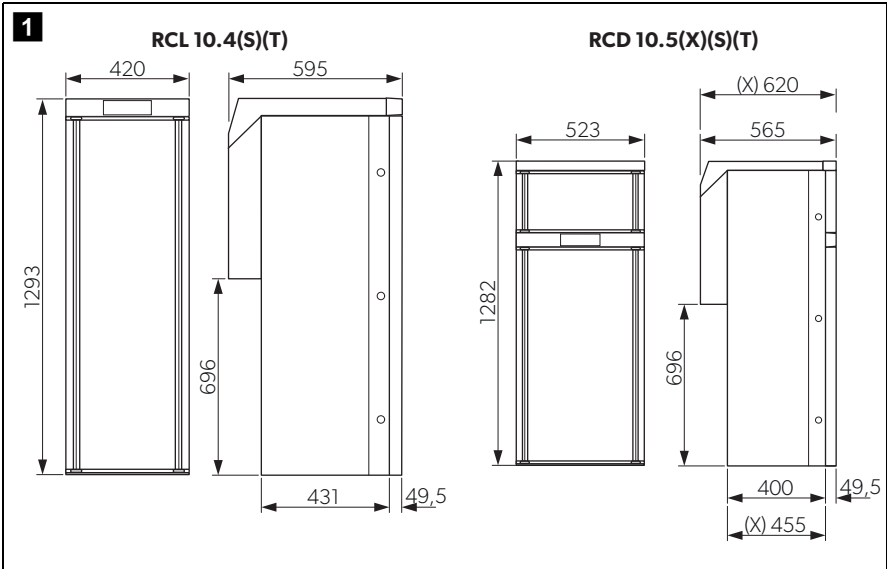
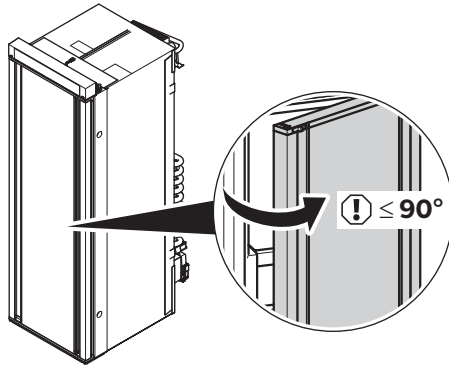


RC 10.4(S)(T).70, RC 10.4(S)(T).90, RC 10.4P.100
RCS10.5(X)(S)(T), RCL10.4(S)(T), RCD 10.5(X)(S)(T)

EN	Compressor refrigerator Installation Manual..... 8	NO	Absorbsjons-kjøleskap Monteringsanvisning 125
DE	Kompressor-Kühlschrank Montageanleitung..... 21	FI	Absorptiojääkaappi Asennusohje 138
FR	Réfrigérateur à compression Instructions de montage 34	RU	Абсорбционный холодильник Инструкция по монтажу..... 151
ES	Nevera con extractor Instrucciones de montaje 47	PL	Lodówka absorpcyjna Instrukcja montażu 165
PT	Frigorífico de absorção Instruções de montagem 60	SK	Absorpčná chladnička Návod na montáž 178
IT	Frigorifero ad assorbimento Indicazioni di montaggio 73	CS	Absorpční lednička Návod k montáži..... 191
NL	Compressorkoelkast Montagehandleiding 86	HU	Abszorberes hűtőszekrény Szerelési útmutató 203
DA	Absorber-køleskab Monteringsvejledning..... 99	SL	Absorpcijski hladilnik Navodilo za montažo 216
SV	Absorptionskylskåp Monteringsanvisning..... 112	EL	Ψυγείο υγραερίου/ρεύματος Οδηγίες τοποθέτησης..... 229

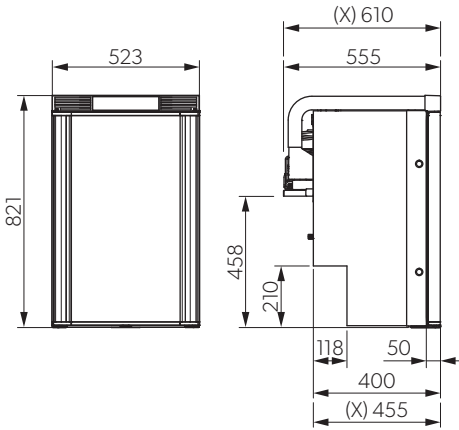
© 2021 Dometic Group. The visual appearance of the contents of this manual is protected by copyright and design law. The underlying technical design and the products contained herein may be protected by design, patent or be patent pending. The trademarks mentioned in this manual belong to Dometic Sweden AB. All rights are reserved.

NOTICE

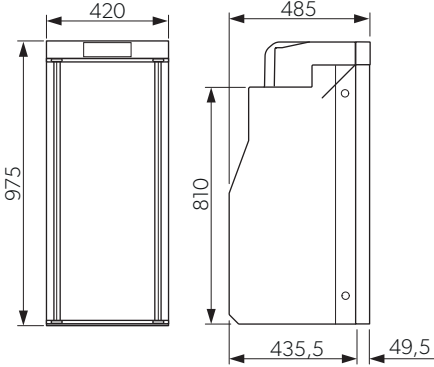


2

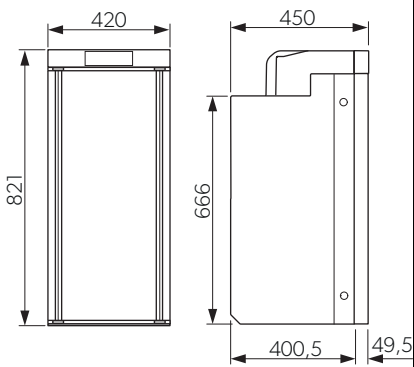
RCS 10.5(X)(S)(T)



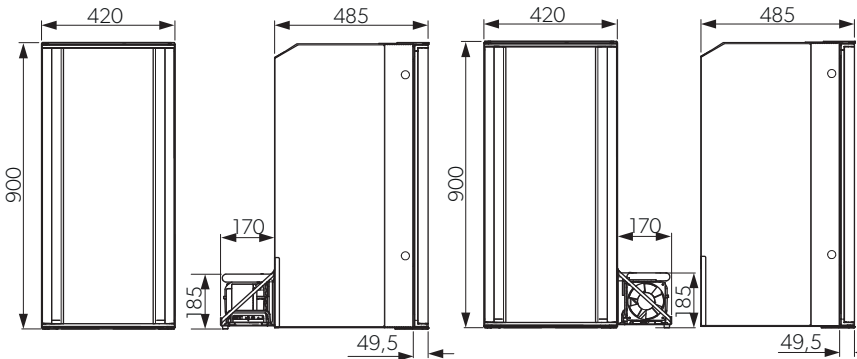
RC 10.4 90(S)(T)

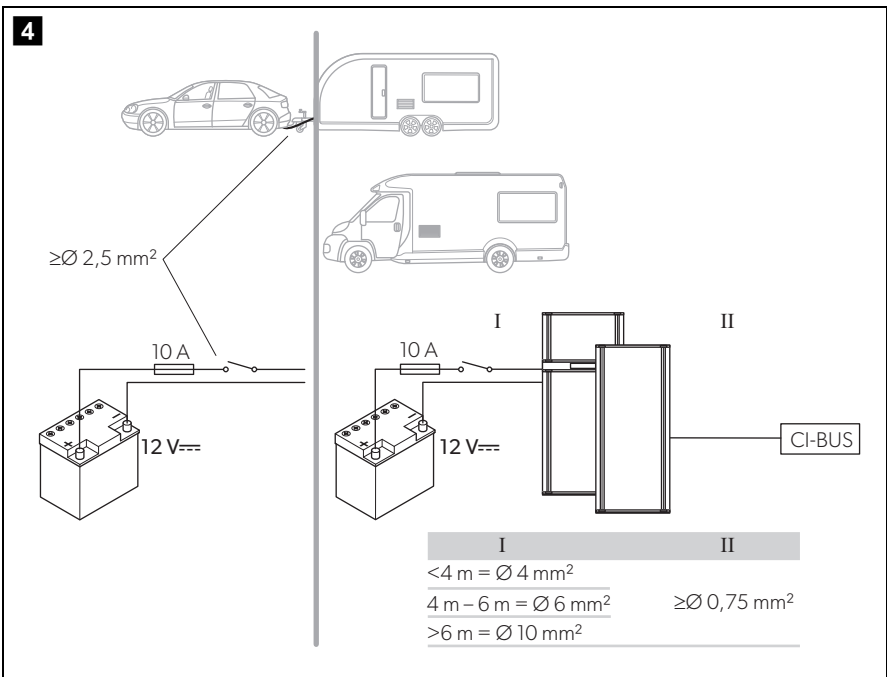
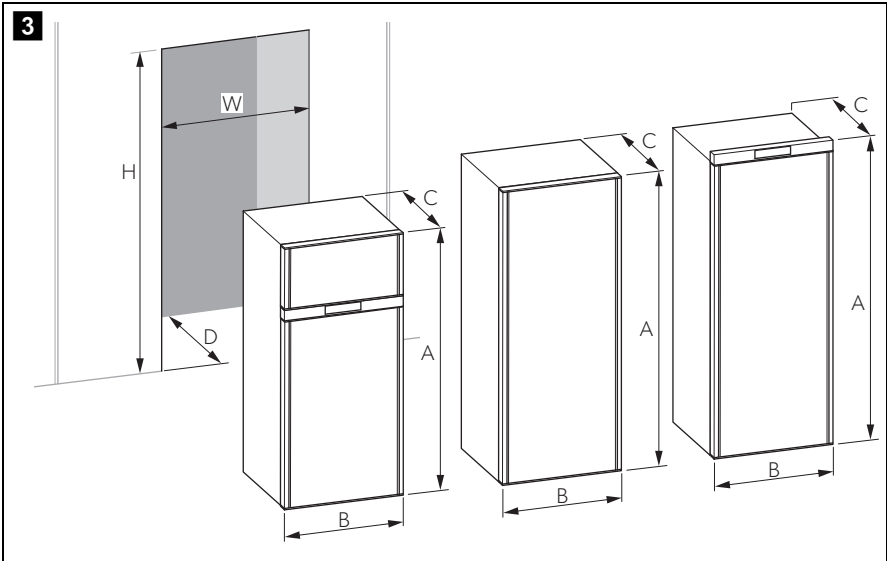


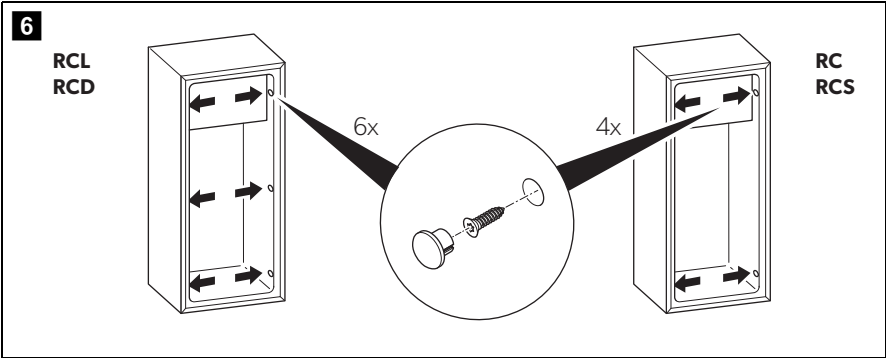
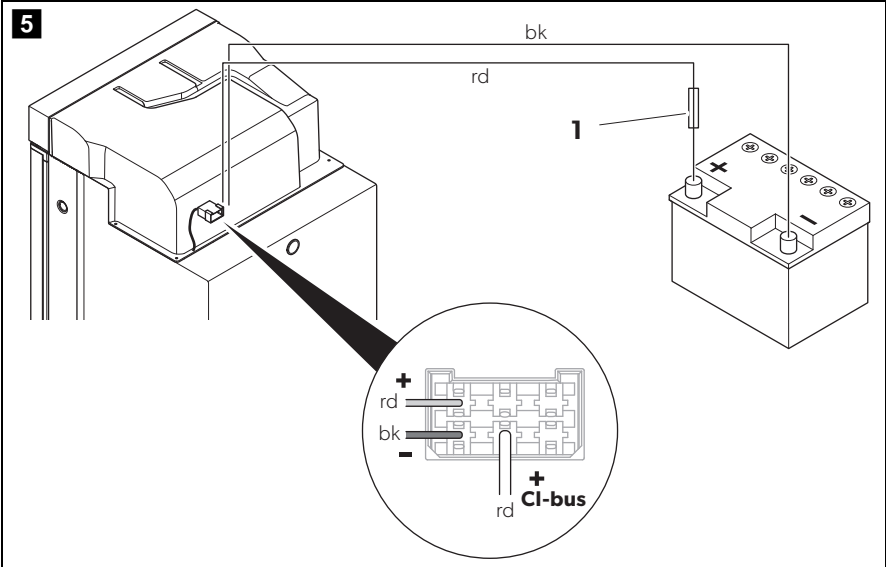
RC 10.4 70(S)(T)

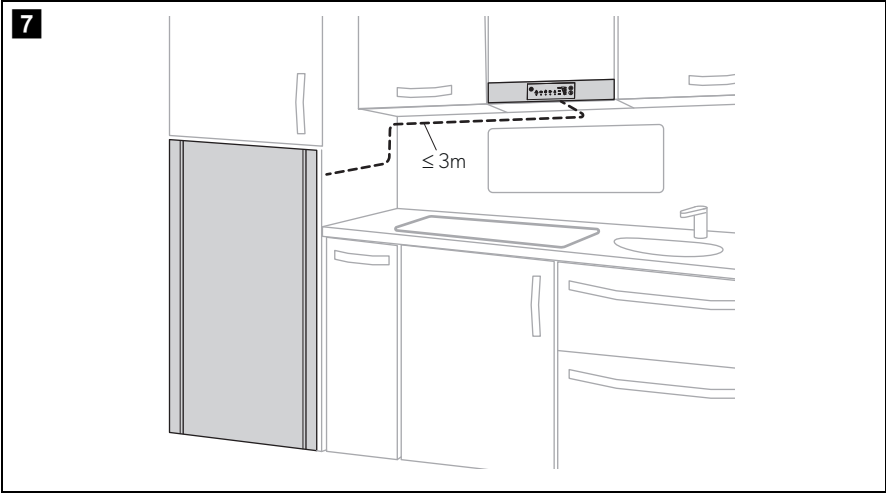


RC 10.4 P.100









Please read these instructions carefully and follow all instructions, guidelines, and warnings included in this product manual in order to ensure that you install, use, and maintain the product properly at all times. These instructions **MUST** stay with this product.

By using the product, you hereby confirm that you have read all instructions, guidelines, and warnings carefully and that you understand and agree to abide by the terms and conditions as set forth herein. You agree to use this product only for the intended purpose and application and in accordance with the instructions, guidelines, and warnings as set forth in this product manual as well as in accordance with all applicable laws and regulations. A failure to read and follow the instructions and warnings set forth herein may result in an injury to yourself and others, damage to your product or damage to other property in the vicinity. This product manual, including the instructions, guidelines, and warnings, and related documentation, may be subject to changes and updates. For up-to-date product information, please visit www.dometic.com.

Table of contents

1	Explanation of symbols	8
2	Safety instructions	9
3	Installing the refrigerator	13
4	Technical data	17

1 Explanation of symbols



WARNING!

Safety instruction: Indicates a hazardous situation that, if not avoided, could result in death or serious injury.



CAUTION!

Safety instruction: Indicates a hazardous situation that, if not avoided, could result in minor or moderate injury.



NOTICE!

Indicates a situation that, if not avoided, can result in property damage.



NOTE

Supplementary information for operating the product.

2 Safety instructions

The manufacturer accepts no liability for damage in the following cases:

- Faulty assembly or connection
- Damage to the product resulting from mechanical influences and incorrect connection voltage
- Alterations to the product without express permission from the manufacturer
- Use for purposes other than those described in the operating manual

2.1 General safety



WARNING! Failure to obey these warnings could result in death or serious injury.

Electrocution hazard

- Ensure that the device has been installed by a qualified technician in accordance with the Dometic installation manual.
- Do not operate the device if it is visibly damaged.
- If this device's power cable is damaged, it must be replaced by the manufacturer, a service agent or a similarly qualified person in order to prevent safety hazards.
- This device may only be repaired by qualified personnel. Inadequate repairs may cause serious hazards.

Explosion hazard

- Do not store any explosive substances, such as spray cans with propellants, in the device.

Health hazard

- This device can be used by children aged from 8 years and above and persons with reduced physical, sensory or mental capabilities or lack of experience and knowledge if they have been given supervision or instruction concerning use of the device in a safe way and understand the hazards involved.
- Children shall not play with the device.
- Cleaning and user maintenance shall not be made by children without supervision.
- Children aged from 3 to 8 years are allowed to load and unload refrigerating devices.

Risk of child entrapment

- Make sure that the shelves are mounted and secured so that children cannot lock themselves in the device.
- Before disposing of your old refrigerator:
 - Dismantle the drawers.
 - Leave the shelves in the refrigerator so that children cannot climb inside.

**CAUTION! Failure to obey these cautions could result in minor or moderate injury.****Risk of crushing**

- Do not put your fingers into the hinge.

Health hazard

- Foodstuff may only be stored in its original packaging or in suitable containers.

**NOTICE! Damage hazard**

- Check that the voltage specification on the type plate is the same as that of the power supply.
- If your vehicle does not have a battery undervoltage cutout, disconnect the device or switch it off when you turn off the engine. Otherwise you may discharge the battery.
- The device is not suitable for storing substances which are caustic or contain solvents.
- Keep the drainage outlet clean at all times.
- Do not open the refrigerant circuit under any circumstances.
- Do not transport the device in a horizontal position, so that no oil can leak out of the compressor and through this damage the refrigerant circuit.
- Make sure that the refrigerant circuit is not damaged during transportation. The refrigerant in the refrigerant circuit is highly flammable. In the event of any damage to the refrigerant circuit:
 - Avoid naked flames and sparks.
 - Air the room well.
- Set up the device in a dry location where it is protected against splashing water.

2.2 Operating the device safely



DANGER! Failure to obey these warnings will result in death or serious injury.

Electrocution hazard

- Do not touch exposed cables with your bare hands.



CAUTION! Failure to obey these cautions could result in minor or moderate injury.

Electrocution hazard

- Before starting the device, ensure that the power supply line and the plug are dry.

Health hazard

- Make sure that you only put items in the device which may be chilled at the selected temperature.
- Food may only be stored in its original packaging or in suitable containers.
- Opening the door for long periods can cause significant increase of the temperature in the compartments of the device.
- Clean regularly surfaces that can come in contact with food and accessible drainage systems.
- Store raw meat and fish in suitable containers in the device, so that it is not in contact with or can drip onto other food.
- If the device is left empty for long periods:
 - Switch off the device.
 - Defrost the device.
 - Clean and dry the device.
 - Leave the door open to prevent mould developing within the device.
- If the refrigerator is exposed to a room temperature of below +10 °C for an extended period of time, a uniform temperature cannot be guaranteed in the freezer compartment. This can lead to an increase of the freezer compartment temperature and the goods stored in it may defrost.

Risk of injury

- The device door or the freezer door can completely detach from the device if used incorrectly. Push the doors closed until you hear a clear click at the top and bottom.
- Do not lean on the open device door.

**NOTICE! Damage hazard**

- If the door is not locked correctly on the opposite side, push on that side at the top and the bottom until it locks in place.
- Only store heavy objects such as bottles or cans in the device door, in the vegetable compartment or on the bottom shelf.
- Do not use electrical devices inside the cooling device unless they are recommended by the manufacturer for that purpose.
- Do not place it near naked flames or other heat sources (heaters, direct sunlight, gas ovens etc.).
- Ensure that the ventilation vents are not covered.
- Do not fill the inner container with ice or fluid.
- Never immerse the device in water.
- Protect the device and the cable against heat and moisture.
- Make sure that foodstuffs do not touch the walls of the cooling area.

**NOTE**

- Ask your vehicle manufacturer if the battery management of your vehicle shuts down the devices to protect the battery.
- Put the device door and the freezer door into the winter position if you are not going to use the device for a longer period of time. This prevents mold from forming.
- For ambient temperatures of +15 °C to +25 °C, select the average temperature setting.

3 Installing the refrigerator



CAUTION! Health hazard

To avoid a hazard due to instability of the device, it must be fixed in accordance with the instructions.



You find the instructions manual for changing the door stop and the decorative plate online at:

documents.dometic.com/?object_id=63258

The device is suitable for installation in:

- caravans
- motor homes

3.1 Preparing the installation



CAUTION! Risk of injury

The device has sharp edges and gloves should be used during installation.



NOTICE! Damage hazard

- The refrigerator may not be installed in the rear of mobile homes with the door pointing in the direction of travel.
- Leave the device in a vertical position for at least 3 hours before starting up for the first time.



NOTE

- In Camper Vans an undercounter unit can be installed with the door pointing in the direction of travel, as long as it is installed next to the sliding door and behind the co-driver's seat.
- If the compressor fridge replaces an absorption unit, you have to make sure, that the external ventilation grills are completely closed, otherwise there is the risk, that the compressor will not run at low ambient temperature (~below 0 °C).

When installing the refrigerator, note the following:

- Ensure that the floor is solid and level.
Park the vehicle horizontally for this purpose.
- The refrigerator must be installed so that
 - it is easily accessible for service work
 - easy to de-install and install
 - can be easily removed from the vehicle
- The refrigerator must be installed in a recess so that it stands secure when the vehicle is in motion. Note the dimensions in fig. **1**, page 3 and fig. **2**, page 4 for this purpose.
- Also note the following recess dimension (fig. **3**, page 5):

	RC10.4(S)(T).70	RC10.4(S)(T).90	RC10.4P.100
Refrigerator height (A)	821 mm	975 mm	900 mm
Refrigerator width (B)	420 mm	420 mm	420 mm (rear compressor) 590 mm (side compressor)
Refrigerator depth (C) (excludes control knob 5 mm)	450 mm	485 mm	655 mm (rear compressor) 485 mm (side compressor)
Recess height (H)	823 mm	977 mm	902 mm
Recess width (W)	425 mm	425 mm	425 mm (rear compressor) 595 mm (side compressor)
Recess depth (D)	452 mm	487 mm	657 mm (rear compressor) 487 mm (side compressor)

	RCL10.4(S)(T)	RCD10.5(S)(T)	RCD10.5X(S)(T)
Refrigerator height (A)	1293 mm	1282 mm	1282 mm
Refrigerator width (B)	420 mm	523 mm	523 mm
Refrigerator depth (C) (excludes control knob 5 mm)	595 mm	565 mm	620 mm
Recess height (H)	1296 mm	1285 mm	1285 mm
Recess width (W)	425 mm	528 mm	528 mm
Recess depth (D)	598 mm	568 mm	623 mm

	RCS10.5(S)(T)	RCS10.5X(S)(T)
Refrigerator height (A)	821 mm	821 mm
Refrigerator width (B)	523 mm	523 mm
Refrigerator depth (C) (excludes control knob 5 mm)	555 mm	610 mm
Recess height (H)	824 mm	824 mm
Recess width (W)	528 mm	528 mm
Recess depth (D)	558 mm	613 mm

3.2 Installing the condensation drain



NOTE

- Condensation can form inside the refrigerator due to frequent door opening, incorrectly stored food or food that is stored when it is too warm.
- Condensation must be drained with a constant slope.

Install the condensation drain as follows:

- ▶ Run the condensation hose from the refrigerator through an opening in the floor which goes outside.

3.3 Connecting the power supply



NOTICE!

- The electrical installation and repairs may only be performed by a specialist in accordance with the applicable national regulations and standards.
- To avoid voltage loss and therefore a drop in performance, the cable should be kept as short as possible and should not be interrupted if possible. For this reason avoid additional switches, plugs or power strips.
- Before connecting check whether the operating voltage and the battery voltage correspond (see type plate).

- Determine the required cross section of the cable in relation to the cable length according to fig. **4**, page 5.
- Connect the cables to the AMP connector of the refrigerator (fig. **5**, page 6).
- Connect the other ends of the cables to the 12 V $\overline{=}$ power supply:



NOTICE!

- Make sure the polarity is correct.
 - Fit the positive (+) cable with a 10 A fuse.
- as directly as possible
 - rd (red): with a fuse protection (10 A) fitted to the positive (+) pole
 - bk (black): to the negative (–) pole

3.4 Securing the refrigerator



WARNING! Fire Hazard

- When positioning the device, ensure the supply cord is not trapped or damaged.
- Do not locate multiple portable socket-outlets or portable power supplies at the rear of the device.



CAUTION!

Only screw through the bushings provided, otherwise foamed components, such as cables, can be damaged.

**NOTE**

- Attach the side walls or the attached strips so that the screws are tight, even under increased loads (while driving).
- The refrigerator is designed to provide a regulated air flow. The manufacturer does not recommend to leave additional space between the refrigerator and the recess walls.

- ▶ Move the refrigerator into its final location with the front flange sitting tight against the recess front.
- ▶ Fasten the screws (fig. **6**, page 6) through the plastic bushings in the sides of the refrigerator, and further into the wall.
- ▶ Put the caps onto the screw heads.

Installing the control panel of RC10.4P.100

- ▶ Install the control panel as shown (fig. **7**, page 7).


4 Technical data


For the current EU declaration of conformity for your device please refer to the respective product page on dometic.com or contact the manufacturer directly (see dometic.com/dealer).


This device complies with UN ECE Regulation R10.

Contains fluorinated greenhouse gases

Hermetically sealed equipment

	RC10.4(S)(T).70	RC10.4(S)(T).90	RC10.4P.100
Capacity			
Gross capacity:	62 l	86 l	94 l
Refrigerator compartment:	54.5 l	75.5 l	81 l
Freezer compartment:	7.5 l	7.5 l	9 l
Total net capacity:	62 l	83 l	90 l
Excluding freezer compartment			
Gross capacity:	69 l	90 l	98 l
Net capacity:	64 l	85 l	93 l
Connection voltage:	12 V ⁼⁼⁼	12 V ⁼⁼⁼	12 V ⁼⁼⁼
Average power input:	42 W	45 W	48 W
Energy consumption	0.45 kWh/24 h	0.45 kWh/24 h	0.48 kWh/24 h
PERFORMANCE mode:	37.5 Ah/24 h	37.5 Ah/24 h	38 Ah/24 h
Climate class:	T	T	T
Coolant:	R134a/40 g	R134a/43 g	R134a/47 g
CO2 equivalent:	0.057 t	0.061 t	0.065 t
Global warming potential (GWP):	1430	1430	1430
Noise emission (EN60704)			
PERFORMANCE mode:	42 dB(A)	42 dB(A)	42 dB(A)
QUIET mode:	39 dB(A)	39 dB(A)	39 dB(A)
Dimensions H x W x D (in mm):	821 x 420 x 450	975 x 420 x 485	902 x 420 x 655 (rear compressor) 902 x 590 x 485 (side compressor)
Weight:	19.5 kg	21.4 kg	21 kg
Inspection/certification:			

	RCL 10.4(S)(T)	RCD 10.5(S)(T)	RCDD 10.5X(S)(T)
Capacity			
Gross capacity:	133 l	153 l	177 l
Refrigerator compartment:	116 l	118 l	142 l
Freezer compartment:	12 l	29 l	35 l
Total net capacity:	128 l	147 l	171 l
Excluding freezer compartment			
Gross capacity:	139 l	–	–
Net capacity:	134 l	–	–
Connection voltage:	12 V $\overline{=}$	12 V $\overline{=}$	12 V $\overline{=}$
Average power input:	54 W	54 W	54 W
Energy consumption	0.44 kWh/24 h	0.51 kWh/24 h	0.52 kWh/24 h
PERFORMANCE mode:	37 Ah/24 h	43 Ah/24 h	44 Ah/24 h
Climate class:	ST	ST	ST
Coolant:	R134a / 40 g	R134a/44 g	R134a/44 g
CO ₂ equivalent:	0.057 t	0.057 t	0.057 t
Global warming potential (GWP):	1430	1430	1430
Noise emission (EN60704)			
PERFORMANCE mode:	42 dB(A)	42 dB(A)	42 dB(A)
QUIET mode:	39 dB(A)	39 dB(A)	39 dB(A)
Dimensions H x W x D (in mm):	1293 x 420 x 595	1282 x 523 x 565	1282 x 523 x 620
Weight:	32 kg	36.5 kg	39.5 kg
Inspection/certification:			

	RCS 10.5(S)(T)	RCS10.5X(S)(T)
Capacity		
Gross capacity:	78 l	92 l
Refrigerator compartment:	69.1 l	80.3 l
Freezer compartment:	9.2 l	12.1 l
Total net capacity:	78 l	92 l
Excluding freezer compartment		
Gross capacity:	83 l	98 l
Net capacity:	83 l	98 l
Connection voltage:	12 V	12 V
Average power input:	5.9 A	5.5 A
Energy consumption		
PERFORMANCE mode:	1.46 Ah/h	1.48 Ah/h
Climate class:	N, ST	N, ST
Coolant:	R600a / 24 g	R600a / 23 g
CO2 equivalent:	0.000072 t	0.000069 t
Global warming potential (GWP):	3	3
Noise emission (EN60704)		
With air channel:		
PERFORMANCE mode:	44 dB(A)	44 dB(A)
QUIET mode:	39 dB(A)	39 dB(A)
Without air channel:		
PERFORMANCE mode:	42 dB(A)	42 dB(A)
QUIET mode:	38 dB(A)	38 dB(A)
Dimensions H x W x D (in mm):	821 x 523 x 555	821 x 523 x 610
Weight:	24.5 kg	25 kg
Inspection/certification:		

Lesen und befolgen Sie bitte alle Anweisungen, Richtlinien und Warnhinweise in diesem Produkthandbuch sorgfältig, um sicherzustellen, dass Sie das Produkt ordnungsgemäß installieren und stets ordnungsgemäß betreiben und warten. Diese Anleitung MUSS bei dem Produkt verbleiben.

Durch die Verwendung des Produktes bestätigen Sie hiermit, dass Sie alle Anweisungen, Richtlinien und Warnhinweise sorgfältig gelesen haben und dass Sie die hierin dargelegten Bestimmungen verstanden haben und ihnen zustimmen. Sie erklären sich damit einverstanden, dieses Produkt nur für den angegebenen Verwendungszweck und gemäß den Anweisungen, Richtlinien und Warnhinweisen dieses Produkthandbuchs sowie gemäß allen geltenden Gesetzen und Vorschriften zu verwenden. Eine Nichtbeachtung der hierin enthaltenen Anweisungen und Warnhinweise kann zu einer Verletzung Ihrer selbst und anderer Personen, zu Schäden an Ihrem Produkt oder zu Schäden an anderem Eigentum in der Umgebung führen. Dieses Produkthandbuch, einschließlich der Anweisungen, Richtlinien und Warnhinweise, sowie die zugehörige Dokumentation können Änderungen und Aktualisierungen unterliegen. Aktuelle Produktinformationen finden Sie unter www.domestic.com.

Inhaltsverzeichnis

1	Erläuterung der Symbole	21
2	Sicherheitshinweise	22
3	Kühlschrank einbauen.	25
4	Technische Daten	30

1 Erläuterung der Symbole



WARNUNG!

Sicherheitshinweis auf eine Gefahrensituation, die zum Tod oder zu schwerer Verletzung führen kann, wenn sie nicht vermieden wird.



VORSICHT!

Sicherheitshinweis auf eine Gefahrensituation, die zu einer leichten oder mittelschweren Verletzung führen kann, wenn sie nicht vermieden wird.



ACHTUNG!

Hinweis auf eine Situation, die zu Sachschäden führen kann, wenn sie nicht vermieden wird.



HINWEIS

Ergänzende Informationen zur Bedienung des Produktes.

2 Sicherheitshinweise

Der Hersteller übernimmt in folgenden Fällen keine Haftung für Schäden:

- Montage- oder Anschlussfehler
- Beschädigungen am Produkt durch mechanische Einflüsse und falsche Anschlussspannung
- Veränderungen am Produkt ohne ausdrückliche Genehmigung vom Hersteller
- Verwendung für andere als die in der Anleitung beschriebenen Zwecke

2.1 Allgemeine Sicherheit



WARNUNG! Nichtbeachtung dieser Warnungen kann zum Tod oder schwerer Verletzung führen.

Lebensgefahr durch Stromschlag

- Stellen Sie sicher, dass das Gerät von einem qualifizierten Techniker gemäß dem Dometic Installationshandbuch installiert wurde.
- Wenn das Gerät sichtbare Beschädigungen aufweist, dürfen Sie es nicht in Betrieb nehmen.
- Wenn das Anschlusskabel dieses Geräts beschädigt ist, muss es durch den Hersteller oder seinen Kundendienst bzw. eine entsprechend ausgebildete Fachkraft ersetzt werden, um Gefahren zu verhindern.
- Reparaturen an diesem Gerät dürfen nur von qualifiziertem Personal durchgeführt werden. Durch unsachgemäße Reparaturen können erhebliche Gefahren entstehen.

Explosionsgefahr

- Lagern Sie keine explosionsfähigen Stoffe wie z. B. Sprühdosen mit brennbarem Treibgas im Gerät.

Gesundheitsgefahr

- Dieses Gerät kann von Kindern ab 8 Jahren und von Personen mit verringerten physischen, sensorischen oder mentalen Fähigkeiten oder Mangel an Erfahrung und/oder Wissen verwendet werden, wenn diese Personen beaufsichtigt werden oder im sicheren Gebrauch des Geräts unterwiesen wurden und die daraus resultierenden Gefahren verstanden haben.
- Kinder dürfen nicht mit dem Gerät spielen.
- Reinigung und Benutzerwartung dürfen nicht durch unbeaufsichtigte Kinder durchgeführt werden.
- Kinder von 3 bis 8 Jahren dürfen Kühlgeräte be- und entladen.

Kinderfalle

- Stellen Sie sicher, dass die Tragroste so montiert und gesichert sind, dass sich Kinder nicht selbst im Gerät einschließen können.
- Vor der Entsorgung Ihres alten Kühlschranks:
 - Bauen Sie die Schublade aus.
 - Belassen Sie die Ablagen im Kühlschrank, damit Kinder nicht hineinsteigen können.

**VORSICHT! Nichtbeachtung dieser Hinweise kann zu geringer oder mittelschwerer Verletzung führen.****Quetschgefahr**

- Fassen Sie nicht in das Scharnier.

Gesundheitsgefahr

- Lebensmittel dürfen nur in Originalverpackungen oder geeigneten Behältern eingelagert werden.

**ACHTUNG! Beschädigungsgefahr**

- Vergleichen Sie die Spannungsangabe auf dem Typenschild mit der vorhandenen Energieversorgung.
- Wenn Ihr Fahrzeug nicht über eine Unterspannungsabschaltung verfügt, trennen Sie das Gerät bei abgestelltem Motor von der Stromversorgung oder schalten Sie es aus. Anderenfalls kann die Fahrzeugbatterie entladen werden.
- Das Gerät ist nicht geeignet für die Lagerung ätzender oder lösungsmittelhaltiger Stoffe.
- Halten Sie die Abflussöffnung stets sauber.
- Öffnen Sie auf keinen Fall den Kühlkreislauf.
- Transportieren Sie das Gerät nicht in horizontaler Lage, damit kein Öl aus dem Verdichter austreten und dadurch den Kältemittelkreislauf beschädigen kann.
- Achten Sie beim Transport darauf, den Kühlkreislauf nicht zu beschädigen. Das Kältemittel im Kühlkreislauf ist leicht entflammbar. Bei einer Beschädigung des Kühlkreislaufs:
 - Vermeiden Sie offenes Feuer und Zündfunken.
 - Lüften Sie den Raum gut.
- Stellen Sie das Gerät an einem trockenen und gegen Spritzwasser geschützten Platz auf.

2.2 Sicherheit beim Betrieb des Geräts



GEFAHR! Nichtbeachtung dieser Warnungen kann zum Tod oder schwerer Verletzung führen.

Lebensgefahr durch Stromschlag

- Fassen Sie nie mit bloßen Händen an blanke Leitungen.



VORSICHT! Nichtbeachtung dieser Hinweise kann zu geringer oder mittelschwerer Verletzung führen.

Gefahr durch Stromschlag

- Achten Sie vor der Inbetriebnahme darauf, dass Zuleitung und Stecker trocken sind.

Gesundheitsgefahr

- Achten Sie darauf, dass sich nur Gegenstände bzw. Waren im Gerät befinden, die auf die gewählte Temperatur gekühlt werden dürfen.
- Lebensmittel dürfen nur in Originalverpackungen oder geeigneten Behältern gelagert werden.
- Ein längeres Öffnen der Tür kann zu einem erheblichen Anstieg der Temperatur in den Fächern des Geräts führen.
- Reinigen Sie regelmäßig Oberflächen, die mit Lebensmitteln in Kontakt kommen können, sowie zugängliche Ablaufsysteme.
- Lagern Sie rohes Fleisch und rohen Fisch in geeigneten Behältern im Gerät, so dass sie nicht mit anderen Lebensmitteln in Berührung kommen oder auf diese tropfen.
- Wenn das Gerät über längere Zeiträume leer bleibt:
 - Schalten Sie das Gerät aus.
 - Tauen Sie das Gerät ab.
 - Reinigen und trocknen Sie das Gerät.
 - Lassen Sie die Tür offenstehen, um Schimmelbildung im Gerät zu verhindern.
- Wenn der Kühlschrank längere Zeit einer Raumtemperatur unter +10 °C ausgesetzt ist, kann eine gleichmäßige Regelung der Frosterfachtemperatur nicht gewährleistet werden. Dies kann zu einer Erhöhung der Frosterfachtemperatur führen und die darin gelagerten Güter können abtauen.

Verletzungsgefahr

- Die Gerätetür bzw. die Frosterfachtür kann sich bei unsachgemäßem Gebrauch vollständig vom Gerät lösen. Drücken Sie die Türen zu, bis Sie oben und unten ein deutliches Einrastgeräusch hören.

- Lehnen Sie sich nicht an die geöffnete Gerätetür.



ACHTUNG! Beschädigungsgefahr

- Wenn die Tür auf der gegenüberliegenden Seite nicht richtig verriegelt ist, drücken Sie auf dieser Seite auf den oberen und unteren Bereich, bis sie einrastet.
- Verstauen Sie schwere Gegenstände wie z. B. Flaschen oder Dosen ausschließlich in der Gerätetür, in der Gemüseschale oder auf dem unteren Tragrost.
- Benutzen Sie keine elektrischen Geräte innerhalb des Kühlgerätes, außer wenn diese Geräte vom Hersteller dafür empfohlen werden.
- Stellen Sie das Gerät nicht in der Nähe von offenen Flammen oder anderen Wärmequellen (Heizungen, direkte Sonneneinstrahlung, Gasöfen usw.) ab.
- Stellen Sie sicher, dass die Lüftungsöffnungen nicht abgedeckt sind.
- Füllen Sie keine Flüssigkeiten oder Eis in den Innenbehälter.
- Tauchen Sie das Gerät nie in Wasser.
- Schützen Sie das Gerät und die Kabel vor Hitze und Nässe.
- Achten Sie darauf, dass die Speisen keine Wand des Kühlraums berühren.



HINWEIS

- Fragen Sie bei Ihrem Fahrzeughersteller nach, ob das Batteriemangement Ihres Fahrzeugs die Geräte zum Schutz der Batterie abschaltet.
- Bringen Sie die Gerätetür und die Forsterfachtür in die Winterposition, wenn Sie das Gerät längere Zeit nicht benutzen. Schimmelbildung wird so vermieden.
- Wählen Sie bei Umgebungstemperaturen von +15 °C bis +25 °C die mittlere Temperatureinstellung.

3 Kühlschrank einbauen



VORSICHT! Gesundheitsgefahr

Um eine Gefährdung durch Instabilität des Gerätes zu vermeiden, muss dieses gemäß den Anweisungen befestigt werden.



Die Anleitung zum Wechseln des Türanschlags und der Dekorplatte finden Sie online unter:

documents.dometic.com/?object_id=63258

Das Gerät ist geeignet für den Einbau in:

- Wohnwagen
- Wohnmobilen

3.1 Einbau vorbereiten



VORSICHT! Verletzungsgefahr

Das Gerät hat scharfe Kanten und beim Einbau sollten Handschuhe getragen werden.



ACHTUNG! Beschädigungsgefahr

- Der Kühlschrank darf nicht im Heck von Wohnmobilen installiert werden, wenn die Tür in Fahrtrichtung zeigt.
- Lassen Sie das Gerät vor der ersten Inbetriebnahme mindestens 3 Stunden lang in vertikaler Position stehen.



HINWEIS

- In Wohnmobilen kann eine Unterthekeneinheit mit der Tür in Fahrtrichtung installiert werden, sofern sie neben der Schiebetür und hinter dem Beifahrersitz angebracht ist.
- Wenn der Kompressorkühlschrank eine Absorptionseinheit ersetzt, müssen Sie sicherstellen, dass die externen Lüftungsgitter vollständig geschlossen sind, da sonst die Gefahr besteht, dass der Kompressor bei niedriger Umgebungstemperatur (~unter 0 °C) nicht läuft.

Beachten Sie bei der Montage des Kühlschranks folgende Hinweise:

- Vergewissern Sie sich, dass der Boden fest und eben ist. Stellen Sie das Fahrzeug zu diesem Zweck waagrecht ab.
- Der Kühlschrank muss so installiert werden, dass
 - er für Wartungsarbeiten leicht zugänglich ist
 - er leicht zu deinstallieren und zu installieren ist
 - er leicht aus dem Fahrzeug entfernt werden kann
- Der Kühlschrank muss in eine Nische eingebaut werden, damit er bei Bewegung des Fahrzeugs fest steht. Beachten Sie die Abmessungen in Abb. **1**, Seite 3 und Abb. **2**, Seite 4 zu diesem Zweck.
- Beachten Sie auch die folgende Aussparungsdimension (Abb. **3**, Seite 5):

	RC10.4(S)(T).70	RC10.4(S)(T).90	RC10.4P.100
Höhe des Kühlschranks (A)	821 mm	975 mm	900 mm
Breite des Kühlschranks (B)	420 mm	420 mm	420 mm (hinterer Kompressor) 590 mm (Seitenkompressor)
Tiefe des Kühlschranks (C) (ohne Steuerknopf (5 mm))	450 mm	485 mm	655 mm (hinterer Kompressor) 485 mm (Seitenkompressor)
Höhe der Aussparung (H)	823 mm	977 mm	902 mm
Breite der Aussparung (W)	425 mm	425 mm	425 mm (hinterer Kompressor) 595 mm (Seitenkompressor)
Aussparungstiefe (D)	452 mm	487 mm	657 mm (hinterer Kompressor) 487 mm (Seitenkompressor)

	RCL 10.4(S)(T)	RCD 10.5(S)(T)	RCD 10.5X(S)(T)
Höhe des Kühlschranks (A)	1293 mm	1282 mm	1282 mm
Breite des Kühlschranks (B)	420 mm	523 mm	523 mm
Tiefe des Kühlschranks (C) (ohne Steuerknopf (5 mm))	595 mm	565 mm	620 mm
Höhe der Aussparung (H)	1296 mm	1285 mm	1285 mm
Breite der Aussparung (W)	425 mm	528 mm	528 mm
Aussparungstiefe (D)	598 mm	568 mm	623 mm

	RCS 10.5(S)(T)	RCS 10.5X(S)(T)
Höhe des Kühlschranks (A)	821 mm	821 mm
Breite des Kühlschranks (B)	523 mm	523 mm
Tiefe des Kühlschranks (C) (ohne Steuerknopf (5 mm))	555 mm	610 mm
Höhe der Aussparung (H)	824 mm	824 mm
Breite der Aussparung (W)	528 mm	528 mm
Aussparungstiefe (D)	558 mm	613 mm

3.2 Kondensatablauf installieren



HINWEIS

- Durch häufiges Türöffnen, falsch gelagerte Lebensmittel oder zu warm gelagerte Lebensmittel kann sich im Inneren des Kühlschranks Kondensat bilden.
- Das Kondensat muss mit konstantem Gefälle abgelassen werden.

Installieren Sie den Kondensatablauf wie folgt:

- Führen Sie den Kondensationsschlauch des Kühlschranks durch eine Öffnung im Boden, die nach außen führt.

3.3 Stromversorgung anschließen



ACHTUNG!

- Die elektrische Installation sowie Reparaturen dürfen nur von einer Fachkraft gemäß den geltenden nationalen Vorschriften und Normen ausgeführt werden.
- Um Spannungs- und Leistungsverluste zu vermeiden, muss das Kabel möglichst kurz und möglichst nicht unterbrochen sein. Vermeiden Sie daher zusätzliche Schalter, Stecker oder Verteilerdosen.
- Prüfen Sie vor dem Anschließen, ob die Betriebsspannung und die Batteriespannung übereinstimmen (siehe Typenschild).

- Bestimmen Sie den notwendigen Querschnitt des Kabels in Abhängigkeit von der Kabellänge gemäß Abb. **4**, Seite 5.
- Schließen Sie die Kabel an den AMP-Anschluss des Kühlschranks (Abb. **5**, Seite 6) an.
- Verbinden Sie die andere Seite der Kabel mit der 12-V-DC-Stromversorgung:



ACHTUNG!

- Achten Sie auf die richtige Polung.
- Montieren Sie das Pluskabel (+) mit einer 10-A-Sicherung.
 - so direkt wie möglich
 - rd (rot): mit einer Sicherung (10 A) am Pluspol (+)
 - bk (schwarz): zum Minuspol (-)

3.4 Kühlschranks befestigen



WARNUNG! Brandgefahr

- Achten Sie beim Aufstellen des Geräts darauf, dass das Netzkabel nicht eingeklemmt oder beschädigt wird.
- Platzieren Sie nicht mehrere tragbare Steckdosen oder tragbare Stromversorgungen hinter dem Gerät.



VORSICHT!

Schrauben Sie nur durch die dafür vorgesehenen Buchsen, da ansonsten eingeschäumte Bauteile wie Leitungen beschädigt werden können.



HINWEIS

- Befestigen Sie die Seitenwände oder die angebrachten Leisten so, dass die Schrauben auch bei erhöhter Beanspruchung (während der Fahrt) fest sitzen.
- Der Kühlschrank ist so konzipiert, dass er eine geregelte Luftzirkulation bereitstellt. Der Hersteller empfiehlt, keinen zusätzlichen Zwischenraum zwischen dem Kühlschrank und den Wänden in der Aussparung zu belassen.

- Bringen Sie den Kühlschrank in seine endgültige Position, wobei der vordere Flansch fest an der Vorderseite der Aussparung anliegt.
- Drehen Sie die Schrauben (Abb. **6**, Seite 6) durch die Kunststoffbuchsen an den Seiten des Kühlschranks und weiter in die Nischenwand.
- Setzen Sie die Abdeckkappen auf die Schraubenköpfe.

Installieren der Systemsteuerung von RC10.4P.100

- Installieren Sie das Bedienfeld wie abgebildet (Abb. **7**, Seite 7).


4 Technische Daten


Die aktuelle EU-Konformitätserklärung für Ihr Gerät erhalten Sie auf der jeweiligen Produktseite auf dometic.com oder direkt über den Hersteller (siehe dometic.com/dealer).


Dieses Gerät entspricht der UN ECE-Regelung R10.

Enthält fluorierte Treibhausgase

Hermetisch geschlossene Einrichtung

	RC10.4(S)(T).70	RC10.4(S)(T).90	RC10.4P.100
Kapazität			
Bruttoinhalt:	62 l	86 l	94 l
Kühlraum:	54,5 l	75,5 l	81 l
Frosterfach:	7,5 l	7,5 l	9 l
Nutzzinhalt insgesamt:	62 l	83 l	90 l
Ohne Frosterfach			
Bruttoinhalt:	69 l	90 l	98 l
Nutzzinhalt:	64 l	85 l	93 l
Anschlussspannung:	12 V \equiv	12 V \equiv	12 V \equiv
Durchschnittliche Leistungsaufnahme:	42 W	45 W	48 W
Energieverbrauch Modus LEISTUNGSFÄHIGKEIT:	0,45 kWh/24 h 37,5 Ah/24 h	0,45 kWh/24 h 37,5 Ah/24 h	0,48 kWh/24 h 38 Ah/24 h
Klimaklasse:	T	T	T
Kühlmittel:	R134a/40 g	R134a/43 g	R134a/47 g
CO ₂ -Äquivalent:	0,057 t	0,061 t	0,065 t
Treibhauspotential (GWP):	1430	1430	1430
Schallemission (EN60704) Modus LEISTUNGSFÄHIGKEIT: QUIET-Modus:	42 dB(A) 39 dB(A)	42 dB(A) 39 dB(A)	42 dB(A) 39 dB(A)
Abmessungen H x B x T (in mm):	821 x 420 x 450	975 x 420 x 485	902 x 420 x 655 (hinterer Kompressor) 902 x 590 x 485 (Seitenkompressor)
Gewicht:	19,5 kg	21,4 kg	21 kg
Prüfung/Zertifikat:			

	RCL 10.4(S)(T)	RCD 10.5(S)(T)	RCD 10.5X(S)(T)
Kapazität			
Bruttoinhalt:	133 l	153 l	177 l
Kühlraum:	116 l	118 l	142 l
Frosterfach:	12 l	29 l	35 l
Nutzzinhalt insgesamt:	128 l	147 l	171 l
Ohne Frosterfach			
Bruttoinhalt:	139 l	-	-
Nutzzinhalt:	134 l	-	-
Anschlussspannung:	12 V $\overline{\text{---}}$	12 V $\overline{\text{---}}$	12 V $\overline{\text{---}}$
Durchschnittliche Leistungsaufnahme:	54 W	54 W	54 W
Energieverbrauch	0,44 kWh/24 h	0,51 kWh/24 h	0,52 kWh/24 h
Modus LEISTUNGSFÄHIGKEIT:	37 Ah/24 h	43 Ah/24 h	44 Ah/24 h
Klimaklasse:	ST	ST	ST
Kühlmittel:	R134a/40 g	R134a/44 g	R134a/44 g
CO ₂ -Äquivalent:	0,057 t	0,057 t	0,057 t
Treibhauspotential (GWP):	1430	1430	1430
Schallemission (EN60704)			
Modus LEISTUNGSFÄHIGKEIT:	42 dB(A)	42 dB(A)	42 dB(A)
QUIET-Modus:	39 dB(A)	39 dB(A)	39 dB(A)
Abmessungen H x B x T (in mm):	1293 x 420 x 595	1282 x 523 x 565	1282 x 523 x 620
Gewicht:	32 kg	36,5 kg	39,5 kg
Prüfung/Zertifikat:			

	RCS 10.5(S)(T)	RCS10.5X(S)(T)
Kapazität		
Bruttoinhalt:	78 l	92 l
Kühlraum:	69,1 l	80,3 l
Frosterfach:	9,2 l	12,1 l
Nutzhalt insgesamt:	78 l	92 l
Ohne Frosterfach		
Bruttoinhalt:	83 l	98 l
Nutzhalt:	83 l	98 l
Anschlussspannung:	12 V	12 V
Durchschnittliche Leistungsaufnahme:	5,9 A	5,5 A
Energieverbrauch		
Modus LEISTUNGSFÄHIGKEIT:	1,46 Ah/h	1,48 Ah/h
Klimaklasse:	N, ST	N, ST
Kühlmittel:	R600a/24 g	R600a/23 g
CO ₂ -Äquivalent:	0,000072 t	0,000069 t
Treibhauspotential (GWP):	3	3
Schallemission (EN60704)		
Mit Luftkanal:		
Modus LEISTUNGSFÄHIGKEIT:	44 dB(A)	44 dB(A)
QUIET-Modus:	39 dB(A)	39 dB(A)
Ohne Luftkanal:		
Modus LEISTUNGSFÄHIGKEIT:	42 dB(A)	42 dB(A)
QUIET-Modus:	38 dB(A)	38 dB(A)
Abmessungen H x B x T (in mm):	821 x 523 x 555	821 x 523 x 610
Gewicht:	24,5 kg	25 kg
Prüfung/Zertifikat:		

Veillez lire et suivre attentivement l'ensemble des instructions, directives et avertissements figurant dans ce manuel afin de vous assurer que vous installez, utilisez et entretenez le produit correctement à tout moment. Ces instructions DOIVENT rester avec ce produit.

En utilisant le produit, vous confirmez par la présente que vous avez lu attentivement l'ensemble des instructions, directives et avertissements et que vous comprenez et acceptez de respecter les modalités et conditions énoncées dans le présent document. Vous acceptez d'utiliser ce produit uniquement pour l'usage et l'application prévus et conformément aux instructions, directives et avertissements figurant dans le manuel du produit, ainsi qu'à toutes les lois et réglementations applicables. Si vous ne lisez et ne respectez pas les instructions et les avertissements figurant dans ce manuel, vous risquez de vous blesser ou de blesser d'autres personnes, d'endommager votre produit ou d'endommager d'autres biens à proximité. Le présent manuel produit, y compris les instructions, directives et avertissements, ainsi que la documentation associée peuvent faire l'objet de modifications et de mises à jour. Pour obtenir des informations actualisées sur le produit, rendez-vous sur www.domestic.com.

Sommaire

1	Signification des symboles	34
2	Consignes de sécurité	34
3	Installation du réfrigérateur	38
4	Caractéristiques techniques	43

1 Signification des symboles



AVERTISSEMENT !

Consigne de sécurité signalant une situation dangereuse qui peut entraîner la mort ou de graves blessures si elle n'est pas évitée.



ATTENTION !

Consigne de sécurité signalant une situation dangereuse qui peut entraîner des blessures de gravité moyenne ou légère si elle n'est pas évitée.



AVIS !

Remarque signalant une situation qui peut entraîner des dommages matériels si elle n'est pas évitée.



REMARQUE

Informations complémentaires sur l'utilisation du produit.

2 Consignes de sécurité

Le fabricant décline toute responsabilité pour des dommages dans les cas suivants :

- des défauts de montage ou de raccordement

- des sollicitations mécaniques et une tension de raccordement incorrecte ayant endommagé le matériel
- des modifications apportées au produit sans autorisation explicite de la part du fabricant
- une utilisation différente de celle décrite dans la notice

2.1 Sécurité générale



AVERTISSEMENT ! Le non-respect de ces mises en garde peut entraîner des blessures graves, voire mortelles.

Danger de mort par électrocution

- Assurez-vous que l'appareil a été installé par un technicien qualifié conformément au manuel d'installation de Dometic.
- Si l'appareil présente des dégâts visibles, ne le mettez pas en service.
- Si le câble de raccordement de l'appareil est endommagé, il doit être remplacé par le fabricant, son service après-vente ou une personne de qualification similaire, afin d'éviter tout danger.
- Seul un personnel qualifié est habilité à effectuer des réparations sur l'appareil. Toute réparation mal effectuée risquerait d'entraîner de graves dangers.

Risque d'explosion

- Ne stockez aucune substance explosive comme des aérosols contenant des agents propulseurs dans l'appareil.

Risque pour la santé

- Cet appareil peut être utilisé par des enfants âgés de 8 ans et plus et des personnes ayant des capacités physiques, sensorielles ou mentales réduites ou un manque d'expérience et de connaissances, s'ils sont sous surveillance ou ont reçu des instructions sur l'utilisation de l'appareil en toute sécurité et comprennent les risques impliqués.
- Les enfants ne doivent pas jouer avec cet appareil.
- Le nettoyage et l'entretien ne doivent pas être effectués par des enfants sans surveillance.
- Les enfants âgés de 3 à 8 ans peuvent charger et décharger les appareils de réfrigération.

Risque d'enfermement pour les enfants

- Veillez à ce que les étagères soient montées et à ce que les enfants ne puissent pas s'enfermer dans l'appareil.

- Avant de mettre au rebut votre ancien réfrigérateur :
 - Démontez les tiroirs.
 - Laissez les clayettes dans le réfrigérateur, afin que les enfants ne puissent pas entrer dedans.



ATTENTION ! Le non-respect de ces mises en garde peut entraîner des blessures légères ou de gravité modérée.

Risque d'écrasement

- Ne touchez pas la charnière.

Risque pour la santé

- Les produits alimentaires doivent être conservés dans leurs emballages originaux ou dans des récipients appropriés.



AVIS ! Risque d'endommagement

- Vérifiez que la tension indiquée sur la plaque signalétique correspond à l'alimentation électrique dont vous disposez.
- Si votre véhicule n'est pas équipé d'un coupe-circuit de sous-tension de batterie, débranchez l'appareil ou éteignez le lorsque vous arrêtez le moteur. Dans le cas contraire, il se pourrait que la batterie se décharge.
- N'utilisez pas l'appareil pour le stockage de produits corrosifs ou de solvants.
- Veillez à ce que l'ouverture d'évacuation soit toujours propre.
- N'ouvrez jamais le circuit frigorifique.
- Ne transportez pas l'appareil en position horizontale, afin d'éviter que de l'huile ne s'échappe du compresseur et n'endommage ainsi le circuit frigorifique.
- Lors du transport, veillez à ne pas endommager le circuit frigorifique. Le réfrigérant du circuit frigorifique s'enflamme facilement. En cas d'endommagement du circuit frigorifique :
 - Évitez toute flamme nue et/ou étincelle.
 - Aérez bien la pièce.
- Installez l'appareil dans un endroit sec et à l'abri des éclaboussures d'eau.

2.2 Consignes de sécurité concernant le fonctionnement de l'appareil



DANGER ! Le non-respect de cette mise en garde entraînera des blessures graves, voire mortelles.

Danger de mort par électrocution

- Ne touchez jamais les lignes électriques dénudées avec les mains nues.



ATTENTION ! Le non-respect de ces mises en garde peut entraîner des blessures légères ou de gravité modérée.

Risque d'électrocution

- Avant de mettre l'appareil en service, assurez-vous que la ligne d'alimentation électrique et le connecteur sont secs.

Risque pour la santé

- Veillez à ne déposer dans l'appareil que des objets ou des aliments qui peuvent être refroidis à la température sélectionnée.
- Les aliments doivent être conservés dans leur emballage d'origine ou dans des récipients appropriés.
- Une ouverture prolongée de la porte peut entraîner une augmentation significative de la température dans les compartiments de l'appareil.
- Nettoyez régulièrement les surfaces qui entrent en contact avec les aliments, ainsi que les systèmes de drainage accessibles.
- Stockez la viande et le poisson crus dans des récipients appropriés à l'intérieur de l'appareil de façon à ce qu'ils ne soient pas en contact avec d'autres aliments ou ne gouttent pas sur ceux-ci.
- Si l'appareil est laissé vide pendant une longue période :
 - Éteignez l'appareil.
 - Dégivrez l'appareil.
 - Nettoyez et séchez l'appareil.
 - Laissez la porte ouverte pour éviter que des moisissures ne se développent dans l'appareil.
- Si le réfrigérateur est exposé de manière prolongée à une température ambiante inférieure à +10 °C, la régulation uniforme de la température du compartiment congélateur ne peut pas être garantie. Cela peut entraîner une augmentation de la température dans le compartiment congélateur et la décongélation des produits stockés.

Risque de blessures

- La porte de l'appareil ou du congélateur peut se détacher de l'appareil si elle n'est pas utilisée correctement. Appuyez sur la porte pour la fermer, jusqu'à ce que vous entendiez un clic distinct sur ses parties supérieure et inférieure.
- Ne vous appuyez pas sur la porte de l'appareil lorsqu'elle est ouverte.

**AVIS ! Risque d'endommagement**

- Si la porte n'est pas verrouillée correctement du côté opposé, appuyez de ce côté en haut et en bas jusqu'à ce qu'elle se verrouille.
- Rangez les objets lourds tels que des bouteilles ou des canettes exclusivement dans la porte de l'appareil, dans le compartiment à légumes ou sur la grille inférieure.
- N'exploitez pas d'appareils électriques dans le réfrigérateur, sauf s'ils sont recommandés par le fabricant pour cet usage.
- Ne placez pas l'appareil près de flammes ou d'autres sources de chaleur (chauffage, rayons solaires, fours à gaz, etc.).
- Assurez-vous que les orifices d'aération ne sont pas recouverts.
- Ne remplissez pas le bac intérieur de substances liquides ou de glace.
- Ne plongez jamais l'appareil dans l'eau.
- Tenez l'appareil et les câbles à l'abri de la chaleur et de l'humidité.
- Veillez à ce que la nourriture ne touche pas les parois du compartiment de réfrigération.

**REMARQUE**

- Demandez au constructeur de votre véhicule si la gestion de la batterie de votre véhicule arrête les appareils pour protéger la batterie.
- Placez la porte de l'appareil et la porte du congélateur en position hiver si vous n'utilisez pas le réfrigérateur pendant une période prolongée. Cela évite la formation de moisissures.
- Si les températures ambiantes sont comprises entre +15 °C et +25 °C, choisissez la température moyenne.

3 Installation du réfrigérateur



ATTENTION ! Risque pour la santé

Pour éviter tout risque dû à l'instabilité de l'appareil, celui-ci doit être fixé conformément aux instructions.



Vous trouverez le manuel d'instructions pour le remplacement de la butée de porte et de la façade en ligne, sous :

documents.dometic.com/?object_id=63258

L'appareil est conçu pour le montage dans :

- des caravanes
- des camping-cars

3.1 Préparation au montage



ATTENTION ! Risque de blessure

L'appareil a des bords tranchants et il faut porter des gants lors de l'installation.



AVIS ! Risque d'endommagement

- Le réfrigérateur ne doit pas être installé à l'arrière des caravanes avec la porte orientée dans le sens de la marche.
- Laissez l'appareil en position verticale pendant au moins 3 heures avant de le mettre en marche pour la première fois.



REMARQUE

- Dans les camping-cars, il est possible d'installer une unité sous le comptoir, avec la porte orientée dans le sens de la marche, à condition qu'elle soit installée à côté de la porte coulissante et derrière le siège du copilote.
- Si le réfrigérateur à compresseur remplace un appareil à absorption, vous devez vous assurer que les grilles de ventilation externes sont complètement fermées, sinon le compresseur risque de ne pas fonctionner à basse température ambiante (~en dessous de 0 °C).

Tenez compte des remarques suivantes lors du montage du réfrigérateur :

- Veillez à ce que le sol soit solide et plat.
Garez le véhicule horizontalement à cet effet.
- Le réfrigérateur doit être installé de sorte
 - à être facilement accessible pour les travaux de maintenance
 - à pouvoir être installé et désinstallé facilement
 - à pouvoir être retiré sans trop d'effort du véhicule
- Le réfrigérateur doit être encastré afin qu'il soit stable lorsque le véhicule se déplace. Notez les dimensions dans fig. **1**, page 3 et fig. **2**, page 4 à cette fin.
- Notez également la dimension suivante de la niche (fig. **3**, page 5) :

	RC10.4(S)(T).70	RC10.4(S)(T).90	RC10.4P.100
Hauteur du réfrigérateur (A)	821 mm	975 mm	900 mm
Largeur du réfrigérateur (B)	420 mm	420 mm	420 mm (compresseur arrière) 590 mm (compresseur laté- ral)
Profondeur du réfrigéra- teur (C) (à l'exception du bouton de commande, 5 mm)	450 mm	485 mm	655 mm (compresseur arrière) 485 mm (compresseur laté- ral)
Hauteur de la niche (H)	823 mm	977 mm	902 mm
Largeur de la niche (W)	425 mm	425 mm	425 mm (compresseur arrière) 595 mm (compresseur laté- ral)
Profondeur de la cavité (D)	452 mm	487 mm	657 mm (compresseur arrière) 487 mm (compresseur laté- ral)

	RCL 10.4(S)(T)	RCD 10.5(S)(T)	RCD 10.5X(S)(T)
Hauteur du réfrigérateur (A)	1293 mm	1282 mm	1282 mm
Largeur du réfrigérateur (B)	420 mm	523 mm	523 mm
Profondeur du réfrigérateur (C) (à l'exception du bouton de commande, 5 mm)	595 mm	565 mm	620 mm
Hauteur de la niche (H)	1296 mm	1285 mm	1285 mm
Largeur de la niche (W)	425 mm	528 mm	528 mm
Profondeur de la cavité (D)	598 mm	568 mm	623 mm

	RCS 10.5(S)(T)	RCS 10.5X(S)(T)
Hauteur du réfrigérateur (A)	821 mm	821 mm
Largeur du réfrigérateur (B)	523 mm	523 mm
Profondeur du réfrigérateur (C) (à l'exception du bouton de commande, 5 mm)	555 mm	610 mm
Hauteur de la niche (H)	824 mm	824 mm
Largeur de la niche (W)	528 mm	528 mm
Profondeur de la cavité (D)	558 mm	613 mm

3.2 Installation de l'évacuation de condensation



REMARQUE

- De la condensation peut se former à l'intérieur du réfrigérateur en raison de l'ouverture fréquente de la porte, d'aliments stockés de manière incorrecte ou d'aliments stockés lorsqu'il fait trop chaud.
- La condensation doit être évacuée avec une pente constante.

Installez l'évacuation de condensation comme suit :

- Faites passer le tuyau de condensation du réfrigérateur à travers une ouverture dans le plancher qui passe à l'extérieur.

3.3 Raccordement de l'alimentation électrique



AVIS !

- L'installation électrique et les réparations doivent être effectuées par un spécialiste, en conformité avec les règlements et les normes nationales applicables.
- Pour éviter des pertes de tension et de puissance frigorifique, le câble doit être le plus court possible et ne doit pas être interrompu. Évitez pour cette raison de placer des interrupteurs, des connecteurs ou des répartiteurs supplémentaires.
- Avant le branchement, vérifiez si la tension de fonctionnement et la tension de la batterie correspondent (voir la plaque signalétique).

- Déterminez la section nécessaire du câble en fonction de sa longueur, selon fig. **4**, page 5.
- Connectez les câbles au connecteur AMP du réfrigérateur (fig. **5**, page 6).
- Connectez les autres extrémités des câbles à l'alimentation électrique de 12 V $\overline{\text{---}}$:



AVIS !

- Ce faisant, respectez la polarité.
- Équipez le câble positif (+) d'un fusible de 10 A.
 - le plus directement possible
 - rd (rouge) : fusible de protection (10 A) sur le pôle positif (+)
 - bk (noir) : sur le pôle négatif (-)

3.4 Fixation du réfrigérateur



AVERTISSEMENT ! Risque d'incendie

- Veillez à ne pas coincer ni endommager le cordon d'alimentation lors de la mise en place de l'appareil.
- Ne placez pas de multiprises portables ou de blocs d'alimentation portables à l'arrière de l'appareil.

**ATTENTION !**

Vissez toujours à travers les douilles prévues ; dans le cas contraire, les composants en mousse et les câbles, entre autres, pourraient être endommagés.

**REMARQUE**

- Fixez les parois latérales ou les plinthes de telle sorte que les vis soient bien serrées, même sous une charge accrue (pendant la conduite).
- Le réfrigérateur est conçu pour fournir un flux d'air régulé. Le fabricant ne recommande pas de laisser un espace additionnel entre le réfrigérateur et les murs avec évidence.

- Déplacez le réfrigérateur vers son emplacement définitif avec le rebord avant appuyé contre la façade de la niche.
- Vissez les vis (fig. **6**, page 6) dans les douilles en plastique des parois latérales du réfrigérateur puis dans le mur.
- Placez les bouchons sur les têtes des vis.

Installation du panneau de commande du RC10.4P.100

- Installez le panneau de commande comme indiqué (fig. **7**, page 7).


4 Caractéristiques techniques


Vous trouverez la déclaration de conformité UE actuelle pour votre appareil sur la page de produit concernée sur dometic.com ou directement auprès du fabricant (voir dometic.com/dealer).


Cet appareil est conforme au règlement R10 de la CEE ONU.

Contient des gaz à effet de serre fluorés

Équipement hermétiquement scellé

	RC 10.4(S)(T).70	RC 10.4(S)(T).90	RC 10.4P.100
Capacité			
Capacité brute :	62 l	86 l	94 l
Compartment réfrigérateur :	54,5 l	75,5 l	81 l
Compartment conservateur :	7,5 l	7,5 l	9 l
Capacité nette totale :	62 l	83 l	90 l
À l'exclusion du compartiment conservateur			
	69 l	90 l	98 l
Capacité brute :	64 l	85 l	93 l
Capacité nette :			
Tension de raccordement :	12 V $\overline{=}$	12 V $\overline{=}$	12 V $\overline{=}$
Puissance moyenne absorbée :	42 W	45 W	48 W
Consommation d'énergie	0.45 kWh/24 h	0.45 kWh/24 h	0.48 kWh/24 h
Mode PERFORMANCE :	37,5 Ah/24 h	37,5 Ah/24 h	38 Ah/24 h
Classe climatique :	T	T	T
Liquide de refroidissement :	R134a/40 g	R134a/43 g	R134a/47 g
Équivalent CO ₂ :	0,057 t	0,061 t	0,065 t
Potentiel d'effet de serre (GWP) :	1430	1430	1430
Émissions sonores (EN60704)			
Mode PERFORMANCE :	42 dB(A)	42 dB(A)	42 dB(A)
Mode SILENCIEUX :	39 dB(A)	39 dB(A)	39 dB(A)
Dimensions h x l x p (en mm) :	821 x 420 x 450	975 x 420 x 485	902 x 420 x 655 (compresseur arrière) 902 x 590 x 485 (compresseur latéral)
Poids :	19,5 kg	21,4 kg	21 kg
Contrôle/certification :			

	RCL 10.4(S)(T)	RCD 10.5(S)(T)	RCD 10.5X(S)(T)
Capacité			
Capacité brute :	133 l	153 l	177 l
Compartment réfrigérateur :	116 l	118 l	142 l
Compartment conservateur :	12 l	29 l	35 l
Capacité nette totale :	128 l	147 l	171 l
À l'exclusion du compartiment conservateur			
Capacité brute :	139 l	-	-
Capacité brute :	134 l	-	-
Capacité nette :			
Tension de raccordement :	12 V $\overline{=}$	12 V $\overline{=}$	12 V $\overline{=}$
Puissance moyenne absorbée :	54 W	54 W	54 W
Consommation d'énergie	0,44 kWh/24 h	0,51 kWh/24 h	0,52 kWh/24 h
Mode PERFORMANCE :	37 Ah/24 h	43 Ah/24 h	44 Ah/24 h
Classe climatique :	ST	ST	ST
Liquide de refroidissement :	R134a / 40 g	R134a/44 g	R134a/44 g
Équivalent CO ₂ :	0,057 t	0,057 t	0,057 t
Potentiel d'effet de serre (GWP) :	1430	1430	1430
Émissions sonores (EN60704)			
Mode PERFORMANCE :	42 dB(A)	42 dB(A)	42 dB(A)
Mode SILENCIEUX :	39 dB(A)	39 dB(A)	39 dB(A)
Dimensions h x l x p (en mm) :	1293 x 420 x 595	1282 x 523 x 565	1282 x 523 x 620
Poids :	32 kg	36,5 kg	39,5 kg
Contrôle/certification :			

	RCS 10.5(S)(T)	RCS10.5X(S)(T)
Capacité		
Capacité brute :	78 l	92 l
Compartment réfrigérateur :	69,1 l	80,3 l
Compartment conservateur :	9,2 l	12,1 l
Capacité nette totale :	78 l	92 l
À l'exclusion du compartiment conservateur	83 l	98 l
Capacité brute :	83 l	98 l
Capacité nette :		
Tension de raccordement :	12 V	12 V
Puissance moyenne absorbée :	5,9 A	5,5 A
Consommation d'énergie		
Mode PERFORMANCE :	1,46 Ah/h	1,48 Ah/h
Classe climatique :	N, ST	N, ST
Liquide de refroidissement :	R600a / 24 g	R600a / 23 g
Équivalent CO ₂ :	0,000072 t	0,000069 t
Potentiel d'effet de serre (GWP) :	3	3
Émissions sonores (EN60704)		
Avec canal d'air :		
Mode PERFORMANCE :	44 dB(A)	44 dB(A)
Mode SILENCIEUX :	39 dB(A)	39 dB(A)
Sans canal d'air :		
Mode PERFORMANCE :	42 dB(A)	42 dB(A)
Mode SILENCIEUX :	38 dB(A)	38 dB(A)
Dimensions h x l x p (en mm) :	821 x 523 x 555	821 x 523 x 610
Poids :	24,5 kg	25 kg
Contrôle/certification :		

Lea atentamente estas instrucciones y siga las indicaciones, directrices y advertencias incluidas en este manual para asegurarse de que instala, utiliza y mantiene correctamente el producto en todo momento. Estas instrucciones DEBEN permanecer con este producto.

Al utilizar el producto, usted confirma que ha leído cuidadosamente todas las instrucciones, directrices y advertencias, y que entiende y acepta cumplir los términos y condiciones aquí establecidos. Usted se compromete a utilizar este producto solo para el propósito y la aplicación previstos y de acuerdo con las instrucciones, directrices y advertencias establecidas en este manual del producto, así como de acuerdo con todas las leyes y reglamentos aplicables. La no lectura y observación de las instrucciones y advertencias aquí expuestas puede causarles lesiones a usted o a terceros, daños en el producto o daños en otras propiedades cercanas. Este manual del producto, incluyendo las instrucciones, directrices y advertencias, y la documentación relacionada, pueden estar sujetos a cambios y actualizaciones. Para obtener información actualizada sobre el producto, visite la página www.dometic.com.

Índice

1	Explicación de los símbolos	47
2	Indicaciones de seguridad	47
3	Montaje de la nevera	52
4	Datos técnicos.	56

1 Explicación de los símbolos



¡ADVERTENCIA!

Aviso de seguridad sobre una situación de peligro que, si no se evita, puede causar la muerte o heridas graves.



¡ATENCIÓN!

Aviso de seguridad sobre una situación de peligro que, si no se evita, puede causar heridas leves o de consideración.



¡AVISO!

Aviso sobre una situación que, si no se evita, puede causar daños materiales.



NOTA

Información complementaria para el manejo del producto.

2 Indicaciones de seguridad

El fabricante declina toda responsabilidad ante daños ocurridos en los siguientes casos:

- errores de montaje o de conexión

- desperfectos en el producto debidos a influencias mecánicas y una tensión de conexión incorrecta
- modificaciones realizadas en el producto sin el expreso consentimiento del fabricante
- utilización del aparato para fines distintos a los descritos en las instrucciones

2.1 Seguridad general



¡ADVERTENCIA! El incumplimiento de estas advertencias podría acarrear la muerte o lesiones graves.

Peligro de muerte por descarga eléctrica

- Asegúrese de que el aparato ha sido instalado por un técnico cualificado de acuerdo con el manual de instalación de Dometic.
- No ponga el aparato en funcionamiento si presenta desperfectos visibles.
- Si el cable de conexión de este aparato está dañado, el fabricante, su servicio de atención al cliente o una persona con cualificación similar debe reemplazarlo para evitar posibles peligros.
- Solo el personal cualificado podrá realizar reparaciones en el aparato. Las reparaciones realizadas incorrectamente pueden generar situaciones de considerable peligro.

Peligro de explosión

- No guarde en el aparato sustancias explosivas, tales como aerosoles propelentes.

Riesgo para la salud

- Este aparato puede ser utilizado por menores a partir de 8 años y personas con capacidad física, sensorial o mental reducida, o con falta de experiencia y conocimientos, siempre que lo hagan bajo supervisión o hayan recibido instrucciones relativas al uso del mismo de manera segura y entendiendo los riesgos asociados.
- No deje que los niños jueguen con el aparato.
- Los menores no deberán limpiar ni realizar el mantenimiento de usuario sin la debida supervisión.
- Los menores de 3 a 8 años pueden meter y sacar artículos de la nevera.

Peligro para los niños

- Asegúrese de montar y asegurar las bandejas de tal manera que los niños no puedan encerrarse dentro del aparato.

- Antes de desechar su vieja nevera:
 - Desmunte los cajones.
 - Deje las bandejas dentro de la nevera para que los niños no puedan entrar en ella.



¡ATENCIÓN! El incumplimiento de estas precauciones podría acarrear lesiones moderadas o leves.

Riesgo de aplastamiento

- No introduzca la mano en el tope de la tapa.

Riesgo para la salud

- Los alimentos solo se pueden guardar en los envases originales o en recipientes adecuados.



¡AVISO! Peligro de ocasionar daños materiales

- Compare el valor de tensión indicado en la placa de características con el suministro de energía existente.
- Si su vehículo no dispone de fusible de subtensión de la batería, desconecte el aparato o apáguelo cuando apague el motor. De lo contrario, podría descargarse la batería del vehículo.
- Este aparato no es apto para almacenar sustancias corrosivas o que contengan disolventes.
- Mantenga siempre limpias las aberturas de desagüe.
- No abra nunca el circuito de refrigeración.
- No transporte el aparato en posición horizontal. De esta manera evitará que se salga el aceite del compresor y se dañe el circuito de refrigerante.
- Asegúrese de no dañar los circuitos cuando transporte el aparato. El refrigerante del circuito de refrigeración es muy inflamable.
En caso de daños en el circuito de refrigeración:
 - Evite el fuego abierto y las chispas.
 - Ventile bien la habitación.
- Instale el aparato en un lugar seco y protegido contra posibles salpicaduras de agua.

2.2 Manejo seguro del aparato



¡PELIGRO! El incumplimiento de estas advertencias puede acarrear la muerte o lesiones graves.

Peligro de muerte por descarga eléctrica

- No toque los cables sin aislamiento directamente con las manos.



¡ATENCIÓN! El incumplimiento de estas precauciones podría acarrear lesiones moderadas o leves.

Riesgo de electrocución

- Antes de la puesta en funcionamiento, asegúrese de que el cable de alimentación y la clavija de enchufe estén secos.

Riesgo para la salud

- Asegúrese de guardar en la nevera solamente aquellos productos que puedan enfriarse a la temperatura seleccionada.
- Los alimentos solo se pueden almacenar con su envase original o en recipientes adecuados.
- Dejar la puerta abierta durante un período prolongado puede producir un incremento considerable de la temperatura en los compartimentos del aparato.
- Limpie periódicamente las superficies que puedan entrar en contacto con alimentos y los sistemas de desagüe accesibles.
- Guarde la carne y el pescado crudos en recipientes adecuados para que no entren en contacto con otros alimentos ni puedan gotear sobre ellos.
- Si el aparato se deja vacío durante un tiempo prolongado:
 - Desconecte el aparato.
 - Descongele el aparato.
 - Limpie y seque el aparato.
 - Deje la puerta abierta para evitar genere de moho dentro del aparato.
- Si la nevera se expone a una temperatura ambiente inferior a +10 °C durante un periodo prolongado, no se puede garantizar una temperatura uniforme en el congelador. Esto puede causar una elevación de la temperatura en el congelador y los productos depositados podrían descongelarse.

Peligro de sufrir lesiones

- La puerta de la nevera o la del compartimento congelador pueden desprenderse si no se utilizan correctamente. Presione las puertas hasta que oiga claramente un clic en la parte superior e inferior.
- No se apoye en la puerta cuando esté abierta.

**¡AVISO! Peligro de ocasionar daños materiales**

- Si la puerta no queda bien cerrada en el lado opuesto, empuje en ese lado por la parte superior e inferior hasta que quede asegurada en su sitio.
- Coloque los objetos más pesados, por ejemplo, botellas o latas, solo en la puerta de la nevera, en el compartimento de verduras o en el estante inferior.
- No utilice ningún aparato eléctrico dentro del enfriador, a no ser que el aparato en cuestión haya sido recomendado para ello por el fabricante.
- No coloque el aparato cerca de llamas directas ni de otras fuentes de calor (calefacción, radiación directa del sol, estufas de gas, etc.).
- Asegúrese de que los orificios de ventilación no estén obstruidos.
- No introduzca líquidos ni hielo en el recipiente interior.
- No sumerja nunca el aparato en agua.
- Proteja el aparato y los cables contra el calor y la humedad.
- Preste atención a que los alimentos no toquen ninguna pared del interior de la nevera.

**NOTA**

- Pregunte al fabricante de su vehículo si este dispone de un gestor de batería que apague los aparatos como medida de protección de la batería.
- Coloque la puerta de la nevera y del congelador en la posición de invierno si no va a utilizar el aparato durante un período de tiempo prolongado. De esta forma, se evita que se forme moho.
- Con una temperatura ambiente de entre +15 °C y +25 °C, seleccione el ajuste de refrigeración medio.

3 Montaje de la nevera



¡ATENCIÓN! Riesgo para la salud

Para evitar peligros causados por la inestabilidad del aparato, este deberá fijarse tal como se indica en las instrucciones.



Podrá encontrar online el manual de instrucciones para el cambio del tope de la puerta y la placa decorativa en:

documents.dometic.com/?object_id=63258

El aparato es adecuado para su instalación en:

- caravanas
- autocaravanas

3.1 Preparación del montaje



¡ATENCIÓN! Peligro de lesiones

El dispositivo tiene bordes afilados y se deben usar guantes durante la instalación.



¡AVISO! Peligro de daños

- No monte la nevera en la parte trasera de una autocaravana con la puerta apuntando en el sentido de la marcha.
- Deje el aparato en posición vertical durante al menos 3 horas antes de ponerlo en marcha por primera vez.



NOTA

- En las autocaravanas se puede instalar una unidad bajo el mostrador con la puerta apuntando en la dirección de la marcha, siempre y cuando se instale junto a la puerta corrediza y detrás del asiento del copiloto.
- Si la nevera del compresor sustituye una unidad de absorción, hay que asegurarse de que las rejillas de ventilación externas estén completamente cerradas, de lo contrario existe el riesgo de que el compresor no funcione a una temperatura ambiente baja (~bajo 0 °C).

Durante el montaje de la nevera, tenga en cuenta las siguientes indicaciones:

- Asegúrese de que el suelo sea sólido y nivelado.
Con este fin, aparque el vehículo en posición horizontal.
- La nevera debe estar instalada de forma que
 - resulte fácilmente accesible para trabajos de mantenimiento
 - resulte fácil de instalar y desinstalar
 - pueda retirarse fácilmente del vehículo
- La nevera se debe instalar empotrada para que no se desplace con el movimiento del vehículo. Para ello, tenga en cuenta las dimensiones de fig. **1**, página 3 y fig. **2**, página 4.
- Observe también las siguientes dimensiones del hueco (fig. **3**, página 5):

	RC10.4(S)(T).70	RC10.4(S)(T).90	RC10.4P.100
Altura del refrigerador (A)	821 mm	975 mm	900 mm
Anchura del refrigerador (B)	420 mm	420 mm	420 mm (compresor trasero) 590 mm (compresor lateral)
Profundidad del refrigerador (C) (no incluye el regulador giratorio de 5 mm)	450 mm	485 mm	655 mm (compresor trasero) 485 mm (compresor lateral)
Altura del hueco (H)	823 mm	977 mm	902 mm
Anchura del hueco (W)	425 mm	425 mm	425 mm (compresor trasero) 595 mm (compresor lateral)
Profundidad del hueco (D)	452 mm	487 mm	657 mm (compresor trasero) 487 mm (compresor lateral)

	RCL10.4(S)(T)	RCD10.5(S)(T)	RCD10.5X(S)(T)
Altura del refrigerador (A)	1293 mm	1282 mm	1282 mm
Anchura del refrigerador (B)	420 mm	523 mm	523 mm
Profundidad del refrigerador (C) (no incluye el regulador giratorio de 5 mm)	595 mm	565 mm	620 mm
Altura del hueco (H)	1296 mm	1285 mm	1285 mm
Anchura del hueco (W)	425 mm	528 mm	528 mm
Profundidad del hueco (D)	598 mm	568 mm	623 mm

	RCS10.5(S)(T)	RCS10.5X(S)(T)
Altura del refrigerador (A)	821 mm	821 mm
Anchura del refrigerador (B)	523 mm	523 mm
Profundidad del refrigerador (C) (no incluye el regulador giratorio de 5 mm)	555 mm	610 mm
Altura del hueco (H)	824 mm	824 mm
Anchura del hueco (W)	528 mm	528 mm
Profundidad del hueco (D)	558 mm	613 mm

3.2 Instalación del desagüe del agua de condensación



NOTA

- En la nevera se puede formar condensación debido a la apertura frecuente de la puerta, alimentos mal almacenados o comida guardada cuando todavía está caliente.
- La condensación debe desagüarse con una pendiente constante.

Monte el desagüe de condensación de la siguiente manera:

- ▶ Lleve el tubo del agua de condensación de la nevera al exterior a través de una abertura del suelo.

3.3 Conexión de la alimentación de tensión



¡AVISO!

- La instalación eléctrica y las correspondientes reparaciones deben ser realizadas por personal especializado de acuerdo con las normativas y estándares vigentes en cada país.
- Para evitar una caída de tensión y, con ello, un descenso del rendimiento, el cable debería ser lo más corto posible y sin interrupciones. Por ello, evite instalar interruptores, enchufes o cajas de distribución adicionales.
- Antes de realizar la conexión, compruebe si la tensión de funcionamiento y la tensión de la batería coinciden (véase la placa de características).

- ▶ Determine la sección del cable necesaria dependiendo de su longitud según fig. **4**, página 5.
- ▶ Conecte los cables al conector AMP del refrigerador (fig. **5**, página 6).
- ▶ Conecte los otros extremos de los cables a la fuente de alimentación de 12 V \equiv :



¡AVISO!

- Preste atención a la polaridad correcta.
- Equipe el cable positivo (+) con un fusible de 10 A.
 - lo más directamente posible
 - rd (rojo): con un fusible de protección (10 A) colocado en el polo positivo (+)
 - bk (negro): al polo negativo (-)

3.4 Fijar la nevera



¡ADVERTENCIA! Peligro de incendio

- Al colocar el aparato, asegúrese de que el cable de suministro eléctrico no se haya quedado atrapado o esté dañado.
- No coloque varias tomas o suministros de corriente portátiles detrás del aparato.



¡ATENCIÓN!

Atornille solo a través de los casquillos guía previstos para ello, ya que, de lo contrario, pueden dañarse los componentes protegidos con espuma, como los cables.



NOTA

- Sujete las paredes laterales o los listones instalados de forma que los tornillos estén fijos incluso en caso de mucha carga (durante la conducción).
- La nevera está diseñada para suministrar un flujo de aire regulado. El fabricante recomienda no dejar ningún espacio adicional entre la nevera y las paredes del hueco.

- Mueva el refrigerador a su ubicación final con la brida delantera apretada contra el frente del hueco.
- Apriete los tornillos (fig. **6**, página 6) a través de los casquillos guía de plástico en los lados del refrigerador y hasta el interior de la pared.
- Ponga las tapas en las cabezas de los tornillos.

Instalación del panel de control de RC10.4P.100

- Instale el panel de control como se muestra (fig. **7**, página 7).


4 Datos técnicos


Encontrará la declaración de conformidad UE actual para su aparato en la página correspondiente al producto en dometic.com o directamente a través del fabricante (véase dometic.com/dealer).


Este dispositivo cumple la norma UN ECE R10.

Contiene gases de efecto invernadero fluorados

Aparato sellado herméticamente

	RC10.4(S)(T).70	RC10.4(S)(T).90	RC10.4P.100
Capacidad			
Capacidad bruta:	62 l	86 l	94 l
Compartimento refrigerador:	54,5 l	75,5 l	81 l
Congelador:	7,5 l	7,5 l	9 l
Capacidad neta total:	62 l	83 l	90 l
Excluyendo el congelador			
Capacidad bruta:	69 l	90 l	98 l
Capacidad neta:	64 l	85 l	93 l
Tensión de conexión:	12 V \equiv	12 V \equiv	12 V \equiv
Potencia media de entrada:	42 W	45 W	48 W
Consumo de energía	0,45 kWh/24 h	0,45 kWh/24 h	0,48 kWh/24 h
Modo PERFORMANCE:	37,5 Ah/24 h	37,5 Ah/24 h	38 Ah/24 h
Clase climática:	T	T	T
Refrigerante:	R134a/40 g	R134a/43 g	R134a/47 g
Equivalente de CO ₂ :	0,057 t	0,061 t	0,065 t
Índice GWP (Global warming potential):	1430	1430	1430
Emisión de ruidos (EN60704)			
Modo PERFORMANCE:	42 dB(A)	42 dB(A)	42 dB(A)
Modo QUIET:	39 dB(A)	39 dB(A)	39 dB(A)
Dimensiones H x A x P (en mm):	821 x 420 x 450	975 x 420 x 485	902 x 420 x 655 (compresor trasero) 902 x 590 x 485 (compresor lateral)
Peso:	19,5 kg	21,4 kg	21 kg
Inspección/certificados:			

	RCL 10.4(S)(T)	RCD 10.5(S)(T)	RCD 10.5X(S)(T)
Capacidad			
Capacidad bruta:	133 l	153 l	177 l
Compartimento refrigerador:	116 l	118 l	142 l
Congelador:	12 l	29 l	35 l
Capacidad neta total:	128 l	147 l	171 l
Excluyendo el congelador			
Capacidad bruta:	139 l	-	-
Capacidad neta:	134 l	-	-
Tensión de conexión:	12 V \equiv	12 V \equiv	12 V \equiv
Potencia media de entrada:	54 W	54 W	54 W
Consumo de energía	0,44 kWh/24 h	0,51 kWh/24 h	0,52 kWh/24 h
Modo PERFORMANCE:	37 Ah/24 h	43 Ah/24 h	44 Ah/24 h
Clase climática:	ST	ST	ST
Refrigerante:	R134a / 40 g	R134a/44 g	R134a/44 g
Equivalente de CO ₂ :	0,057 t	0,057 t	0,057 t
Índice GWP (Global warming potential):	1430	1430	1430
Emisión de ruidos (EN60704)			
Modo PERFORMANCE:	42 dB(A)	42 dB(A)	42 dB(A)
Modo QUIET:	39 dB(A)	39 dB(A)	39 dB(A)
Dimensiones H x A x P (en mm):	1293 x 420 x 595	1282 x 523 x 565	1282 x 523 x 620
Peso:	32 kg	36,5 kg	39,5 kg
Inspección/certificados:			

	RCS 10.5(S)(T)	RCS10.5X(S)(T)
Capacidad		
Capacidad bruta:	78 l	92 l
Compartimento refrigerador:	69,1 l	80,3 l
Congelador:	9,2 l	12,1 l
Capacidad neta total:	78 l	92 l
Excluyendo el congelador		
Capacidad bruta:	83 l	98 l
Capacidad neta:	83 l	98 l
Tensión de conexión:	12 V	12 V
Potencia media de entrada:	5,9 A	5,5 A
Consumo de energía		
Modo PERFORMANCE:	1,46 Ah/h	1,48 Ah/h
Clase climática:	N, ST	N, ST
Refrigerante:	R600a / 24 g	R600a / 23 g
Equivalente de CO2:	0,000072 t	0,000069 t
Índice GWP (Global warming potential):	3	3
Emisión de ruidos (EN60704)		
Con canal de aire:		
Modo PERFORMANCE:	44 dB(A)	44 dB(A)
Modo QUIET:	39 dB(A)	39 dB(A)
Sin canal de aire:		
Modo PERFORMANCE:	42 dB(A)	42 dB(A)
Modo QUIET:	38 dB(A)	38 dB(A)
Dimensiones H x A x P (en mm):	821 x 523 x 555	821 x 523 x 610
Peso:	24,5 kg	25 kg
Inspección/certificados:		

Leia atentamente as presentes instruções e siga todas as instruções, orientações e avisos incluídos neste manual, de modo a garantir a correta instalação, utilização e manutenção do produto. É OBRIGATÓRIO manter estas instruções junto com o produto.

Ao utilizar o produto, está a confirmar que leu atentamente todas as instruções, orientações e avisos, e que compreende e aceita cumprir os termos e condições estabelecidos no presente manual. Aceita utilizar este produto exclusivamente para o fim e a aplicação a que se destina e de acordo com as instruções, orientações e avisos estabelecidos neste manual, assim como de acordo com todas as leis e regulamentos aplicáveis. Caso não leia nem siga as instruções e os avisos aqui estabelecidos, poderá sofrer ferimentos pessoais ou causar ferimentos a terceiros e o produto ou outros materiais nas proximidades poderão ficar danificados. Este manual do produto, incluindo as instruções, orientações e avisos, bem como a documentação relacionada, podem estar sujeitos a alterações e atualizações. Para consultar as informações atualizadas do produto, visite www.dometic.com.

Índice

1	Explicação dos símbolos	60
2	Indicações de segurança	60
3	Montar o frigorífico	64
4	Dados técnicos	69

1 Explicação dos símbolos



AVISO!

Indicação de segurança sobre uma situação de perigo que pode levar à morte ou a ferimentos graves se não for evitada.



PRECAUÇÃO!

Indicação de segurança sobre uma situação de perigo que pode levar a ferimentos ligeiros ou moderados se não for evitada.



NOTA!

Indicação sobre uma situação que leva a danos materiais se não for evitada.



OBSERVAÇÃO

Informações complementares sobre a operação do produto.

2 Indicações de segurança

O fabricante não se responsabiliza por danos nos seguintes casos:

- Erros de montagem ou de conexão

- Danos no produto resultantes de influências mecânicas e tensão de conexão incorreta
- Alterações ao produto sem autorização expressa do fabricante
- Utilização para outras finalidades que não as descritas no manual de instruções

2.1 Princípios básicos de segurança



AVISO! O incumprimento destes avisos poderá resultar em morte ou ferimentos graves.

Perigo de morte devido a choque elétrico

- Certifique-se de que o aparelho foi instalado de acordo com as instruções de montagem por um técnico qualificado.
- Não coloque o aparelho em funcionamento se este apresentar danos visíveis.
- Se o cabo de alimentação deste aparelho estiver danificado, terá de ser substituído pelo fabricante, pelo serviço de assistência técnica ou por uma pessoa com qualificações equivalentes, a fim de evitar perigos.
- As reparações neste aparelho só podem ser realizadas por técnicos qualificados. Reparações inadequadas podem originar perigos graves.

Perigo de explosão

- Não guarde no aparelho substâncias com risco de explosão, tais como, por exemplo, latas de spray com gás carburante.

Risco para a saúde

- Este aparelho pode ser utilizado por crianças a partir dos 8 anos e pessoas com capacidades físicas, sensoriais ou mentais reduzidas ou sem experiência e conhecimento se forem supervisionadas ou receberem instruções sobre a utilização do aparelho de forma segura e compreenderem os perigos implicados.
- As crianças não podem brincar com o aparelho.
- A limpeza e a manutenção não podem ser efetuadas por crianças sem supervisão.
- Crianças com idades entre os 3 e os 8 anos podem colocar e tirar itens de aparelhos frigoríficos.

Perigo para crianças

- Certifique-se de que as prateleiras estão instaladas e fixadas para que não seja possível crianças trancarem-se dentro do aparelho.

- Antes da eliminação do seu frigorífico usado:
 - Desmonte as gavetas.
 - Deixe ficar as prateleiras no frigorífico para que as crianças não entrem nele.



PRECAUÇÃO! O incumprimento destas advertências poderá resultar em ferimentos ligeiros ou moderados.

Risco de esmagamento

- Não mexa no encosto da tampa com os dedos.

Risco para a saúde

- Os alimentos devem ser armazenados exclusivamente nas embalagens originais ou em recipientes adequados.



NOTA! Perigo de danos

- Verifique se a indicação de tensão na chapa de características corresponde à da fonte de alimentação existente.
- Se o seu veículo não tiver um disjuntor de subtensão de bateria, desconecte o aparelho ou desligue-o quando desligar o motor. Caso contrário, a bateria do veículo pode descarregar.
- O aparelho não se destina ao armazenamento de substâncias corrosivas ou que contenham solventes.
- Mantenha a abertura de escoamento sempre limpa.
- Não abra, em caso algum, o circuito de refrigeração.
- Não transporte o aparelho numa posição horizontal, de modo a impedir que vaze óleo do compressor e que isto danifique o circuito de refrigeração.
- Certifique-se de que o circuito de refrigeração não sofre danos durante o transporte. O agente de refrigeração no circuito de refrigeração é altamente inflamável.
Em caso de danos no circuito de refrigeração:
 - Evite chamas abertas e faíscas.
 - Ventile bem o espaço.
- Coloque o aparelho num local seco e protegido contra salpicos de água.

2.2 Segurança durante a utilização do aparelho



PERIGO! O incumprimento destes avisos resultará em morte ou ferimentos graves.

Perigo de morte devido a choque elétrico

- Nunca toque em cabos não blindados com as mãos desprotegidas.



PRECAUÇÃO! O incumprimento destas advertências poderá resultar em ferimentos ligeiros ou moderados.

Risco de eletrocussão

- Antes de colocar o aparelho em funcionamento, certifique-se de que a conexão e a ficha estão secas.

Risco para a saúde

- Certifique-se de que coloca no aparelho apenas produtos que possam ser refrigerados à temperatura selecionada.
- Os géneros alimentícios só podem ser guardados nas embalagens originais ou em recipientes adequados.
- Abrir a porta durante longos períodos pode provocar um aumento significativo da temperatura nos compartimentos do aparelho.
- Limpe regularmente as superfícies que entram em contacto com géneros alimentícios e os sistemas de drenagem acessíveis.
- Guarde a carne e o peixe crus no aparelho em recipientes adequados de forma a que não entrem em contacto com outros géneros alimentícios nem pinguem para os mesmos.
- Se o aparelho ficar vazio durante longos períodos:
 - Desligue o aparelho.
 - Descongele o aparelho.
 - Limpe e seque o aparelho.
 - Deixe a porta aberta para impedir o crescimento de bolor no interior do aparelho.
- Se o frigorífico estiver exposto a uma temperatura ambiente inferior a +10 °C durante um período de tempo prolongado, não é possível garantir uma temperatura constante do congelador. Tal pode levar a um aumento da temperatura no congelador e ao descongelamento dos alimentos guardados.

Perigo de ferimentos

- A porta do aparelho ou do congelador pode soltar-se completamente do aparelho se utilizada incorretamente. Pressione as portas fechadas até ouvir um clique evidente na parte superior e inferior.

- Não se apoie na porta do aparelho aberta.

**NOTA! Perigo de danos**

- Se a porta não estiver devidamente trancada do lado oposto, pressione a parte superior e inferior desse lado até que a porta encaixe corretamente.
- Guarde os objetos pesados como, por exemplo, garrafas ou latas, exclusivamente na porta do aparelho, no compartimento para legumes ou na prateleira inferior.
- Não utilize aparelhos elétricos dentro do aparelho de refrigeração, exceto se esses aparelhos forem recomendados pelo fabricante para o efeito.
- Não coloque o aparelho nas proximidades de chamas abertas ou outras fontes de calor (aquecedores, radiação solar direta, fogões a gás, etc.).
- Certifique-se de que as aberturas de ventilação não estão tapadas.
- Não verta líquidos nem gelo para dentro do recipiente interior.
- Nunca mergulhe o aparelho em água.
- Proteja o aparelho e os cabos do calor e da humidade.
- Certifique-se de que os alimentos não entram em contacto com as paredes do espaço de refrigeração.

**OBSERVAÇÃO**

- Consulte o fabricante do seu veículo para esclarecer se a gestão de bateria do veículo desliga os aparelhos como medida de proteção da bateria.
- Coloque a porta do aparelho e a porta do congelador na posição de inverno se prever que não vai utilizar o aparelho durante um longo período. Assim, evita-se a formação de bolor.
- Para temperaturas ambiente entre +15 °C e +25 °C, selecione a definição de temperatura média.

3 Montar o frigorífico

**PRECAUÇÃO! Risco para a saúde**

Para evitar riscos devido à instabilidade do aparelho, este tem de ser fixado de acordo com as instruções.



Para mudar o batente da porta e a placa decorativa, consulte o manual de instruções online em:

documents.dometic.com/?object_id=63258

O aparelho é adequado para a montagem em:

- caravanas
- autocaravanas

3.1 Preparar a montagem



PRECAUÇÃO! Perigo de ferimentos

O aparelho tem bordas afiadas e, por isso, deve usar-se luvas durante a montagem.



NOTA! Risco de danos

- O frigorífico não pode ser montado na traseira de autocaravanas com a porta virada para o sentido da marcha.
- Deixe o aparelho em posição vertical durante, pelo menos, três horas antes de o ligar pela primeira vez.



OBSERVAÇÃO

- No caso da montagem em caravanas, é possível montar uma unidade sob a bancada com a porta virada para o sentido da marcha, desde que a unidade fique instalada junto da porta deslizante e por trás do banco do acompanhante.
- Se o frigorífico de compressor substituir uma unidade de absorção, deve certificar-se de que as grelhas de ventilação externas estão completamente fechadas. Caso contrário, existe o risco de o compressor não funcionar com uma temperatura ambiente baixa (~inferior a 0 °C).

Durante a montagem do frigorífico, tenha em conta as seguintes indicações:

- Assegure-se de que o piso é sólido e plano.
Para isso, estacione o veículo horizontalmente.
- O frigorífico tem de ser montado de modo a facilitar
 - o acesso para os trabalhos de assistência
 - a desmontagem e a montagem
 - a remoção do veículo

- O frigorífico tem de ser instalado num nicho de modo a permanecer seguro durante a deslocação do veículo. Tenha em atenção as dimensões na fig. **1**, página 3 e fig. **2**, página 4 a este respeito.
- Tenha também em conta as seguintes dimensões das reentrâncias (fig. **3**, página 5):

	RC10.4(S)(T).70	RC10.4(S)(T).90	RC10.4P.100
Altura do frigorífico (A)	821 mm	975 mm	900 mm
Largura do frigorífico (B)	420 mm	420 mm	420 mm (compressor traseiro) 590 mm (compressor lateral)
Profundidade do frigorífico (C) (excluindo o botão de controlo de 5 mm)	450 mm	485 mm	655 mm (compressor traseiro) 485 mm (compressor lateral)
Altura da reentrância (H)	823 mm	977 mm	902 mm
Largura da reentrância (W)	425 mm	425 mm	425 mm (compressor traseiro) 595 mm (compressor lateral)
Profundidade da reentrância (D)	452 mm	487 mm	657 mm (compressor traseiro) 487 mm (compressor lateral)

	RCL 10.4(S)(T)	RCD 10.5(S)(T)	RCD 10.5X(S)(T)
Altura do frigorífico (A)	1293 mm	1282 mm	1282 mm
Largura do frigorífico (B)	420 mm	523 mm	523 mm
Profundidade do frigorífico (C) (excluindo o botão de controlo de 5 mm)	595 mm	565 mm	620 mm
Altura da reentrância (H)	1296 mm	1285 mm	1285 mm
Largura da reentrância (W)	425 mm	528 mm	528 mm
Profundidade da reentrância (D)	598 mm	568 mm	623 mm

	RCS 10.5(S)(T)	RCS 10.5X(S)(T)
Altura do frigorífico (A)	821 mm	821 mm
Largura do frigorífico (B)	523 mm	523 mm
Profundidade do frigorífico (C) (excluindo o botão de controlo de 5 mm)	555 mm	610 mm
Altura da reentrância (H)	824 mm	824 mm
Largura da reentrância (W)	528 mm	528 mm
Profundidade da reentrância (D)	558 mm	613 mm

3.2 Instalar o dreno de condensação



OBSERVAÇÃO

- É possível que se forme condensação no interior do frigorífico devido a uma abertura frequente da porta, ao armazenamento incorreto de géneros alimentícios ou ao armazenamento de géneros alimentícios ainda quentes.
- A condensação tem de ser drenada com uma inclinação constante.

Instale o dreno da seguinte forma:

- ▶ Instale a mangueira de condensação a partir do frigorífico, passando-a por uma abertura no chão que vai para o exterior.

3.3 Ligar o aparelho à corrente



NOTA!

- A instalação elétrica e as reparações só podem ser realizadas por um técnico de acordo com as regulamentações e normas nacionais em vigor.
- Para evitar perdas de tensão e potência, o cabo deve ser o mais curto possível e não deve ser interrompido, se possível. Evite, por isso, interruptores, fichas ou distribuidores adicionais.
- Antes de ligar, verifique se a tensão de funcionamento e a tensão da bateria correspondem (ver placa de características).

- ▶ Determine o corte transversal necessário do cabo de acordo com o comprimento do cabo, conforme a fig. **4**, página 5.
- ▶ Ligue os cabos ao conector AMP do frigorífico (fig. **5**, página 6).
- ▶ Ligue as outras extremidades do cabo à fonte de alimentação de 12 V \equiv :



NOTA!

- Tenha atenção à polaridade correta.
 - Coloque um fusível de 10 A no cabo positivo (+).
- O mais diretamente possível
 - rd (red, vermelho): com uma proteção de fusível (10 A) montada no polo positivo (+)
 - bk (black, preto): no polo negativo (-)

3.4 Fixar o frigorífico



AVISO! Perigo de incêndio

- Ao colocar o aparelho, certifique-se de que o cabo de alimentação não fica preso nem é danificado.
- Não coloque tomadas múltiplas ou fontes de alimentação portáteis na parte de trás do aparelho.



PRECAUÇÃO!

Aparafuse apenas através dos isoladores de passagem previstos para o efeito, caso contrário, os componentes com espuma, tais como cabos, podem ficar danificados.



OBSERVAÇÃO

- Fixe as paredes laterais ou os frisos instalados de modo que os parafusos fiquem bem apertados, mesmo sob cargas elevadas (durante viagens).
- O frigorífico foi concebido para fornecer um fluxo de ar controlado. O fabricante não recomenda que se deixe um espaço adicional entre o frigorífico e as paredes do nicho.

- ▶ Desloque o frigorífico para o seu local definitivo com o flange dianteiro firmemente assente na parte frontal da reentrância.
- ▶ Fixe os parafusos (fig. **6**, página 6) através dos isoladores de passagem de plástico nas paredes laterais do frigorífico até alcançar a parede.
- ▶ Coloque as tampas nas cabeças dos parafusos.

Instalar o painel de comando do RC10.4P.100

- ▶ Instale o painel de comando conforme ilustrado (fig. **7**, página 7).


4 Dados técnicos


A atual declaração de conformidade UE do seu aparelho pode ser obtida na respetiva página do produto, em dometic.com, ou solicitada diretamente ao fabricante (ver dometic.com/dealer).


Este aparelho está em conformidade com o Regulamento UNECE R10.

Contém gases fluorados com efeito de estufa

Equipamento hermeticamente fechado

	RC10.4(S)(T).70	RC10.4(S)(T).90	RC10.4P.100
Volume			
Volume bruto:	62 l	86 l	94 l
Compartimento do frigorífico:	54,5 l	75,5 l	81 l
Congelador:	7,5 l	7,5 l	9 l
Capacidade líquida total:	62 l	83 l	90 l
Exceto congelador			
Volume bruto:	69 l	90 l	98 l
Volume líquido:	64 l	85 l	93 l
Tensão de conexão:	12 V ₌₌₌	12 V ₌₌₌	12 V ₌₌₌
Potência de entrada média:	42 W	45 W	48 W
Consumo de energia	0,45 kWh/24 h	0,45 kWh/24 h	0,48 kWh/24 h
Modo PERFORMANCE:	37.5 Ah/24 h	37.5 Ah/24 h	38 Ah/24 h
Classe de climatização:	T	T	T
Agente de refrigeração:	R134a/40 g	R134a/43 g	R134a/47 g
Equivalente a CO ₂ :	0,057 t	0,061 t	0,065 t
Potencial de aquecimento global (PAG):	1430	1430	1430
Emissão de ruído (EN60704)			
Modo PERFORMANCE:	42 dB(A)	42 dB(A)	42 dB(A)
Modo QUIET:	39 dB(A)	39 dB(A)	39 dB(A)
Dimensões A x L x P (em mm):	821 x 420 x 450	975 x 420 x 485	902 x 420 x 655 (compressor tra-seiro) 902 x 590 x 485 (compressor lateral)
Peso:	19,5 kg	21,4 kg	21 kg
Inspeção/certificação:			

	RCL 10.4(S)(T)	RCD 10.5(S)(T)	RCD 10.5X(S)(T)
Volume			
Volume bruto:	133 l	153 l	177 l
Compartimento do frigorífico:	116 l	118 l	142 l
Congelador:	12 l	29 l	35 l
Capacidade líquida total:	128 l	147 l	171 l
Exceto congelador			
Volume bruto:	139 l	–	–
Volume líquido:	134 l	–	–
Tensão de conexão:	12 V \equiv	12 V \equiv	12 V \equiv
Potência de entrada média:	54 W	54 W	54 W
Consumo de energia	0,44 kWh/24 h	0,51 kWh/24 h	0,52 kWh/24 h
Modo PERFORMANCE:	37 Ah/24 h	43 Ah/24 h	44 Ah/24 h
Classe de climatização:	ST	ST	ST
Agente de refrigeração:	R134a/40 g	R134a/44 g	R134a/44 g
Equivalente a CO ₂ :	0,057 t	0,057 t	0,057 t
Potencial de aquecimento global (PAG):	1430	1430	1430
Emissão de ruído (EN60704)			
Modo PERFORMANCE:	42 dB(A)	42 dB(A)	42 dB(A)
Modo QUIET:	39 dB(A)	39 dB(A)	39 dB(A)
Dimensões A x L x P (em mm):	1293 x 420 x 595	1282 x 523 x 565	1282 x 523 x 620
Peso:	32 kg	36,5 kg	39,5 kg
Inspeção/certificação:			

	RCS 10.5(S)(T)	RCS10.5X(S)(T)
Volume		
Volume bruto:	78 l	92 l
Compartimento do frigorífico:	69,1 l	80,3 l
Congelador:	9,2 l	12,1 l
Capacidade líquida total:	78 l	92 l
Exceto congelador		
Volume bruto:	83 l	98 l
Volume líquido:	83 l	98 l
Tensão de conexão:	12 V	12 V
Potência de entrada média:	5,9 A	5,5 A
Consumo de energia		
Modo PERFORMANCE:	1,46 Ah/h	1,48 Ah/h
Classe de climatização:	N, ST	N, ST
Agente de refrigeração:	R600a/24 g	R600a/23 g
Equivalente a CO ₂ :	0,000072 t	0,000069 t
Potencial de aquecimento global (PAG):	3	3
Emissão de ruído (EN60704)		
Com canal de ar:		
Modo PERFORMANCE:	44 dB(A)	44 dB(A)
Modo QUIET:	39 dB(A)	39 dB(A)
Sem canal de ar:		
Modo PERFORMANCE:	42 dB(A)	42 dB(A)
Modo QUIET:	38 dB(A)	38 dB(A)
Dimensões A x L x P (em mm):	821 x 523 x 555	821 x 523 x 610
Peso:	24,5 kg	25 kg
Inspeção/certificação:		

Si prega di leggere attentamente e di seguire tutte le istruzioni, le linee guida e le avvertenze incluse in questo manuale del prodotto, al fine di garantire che il prodotto venga sempre installato, utilizzato e mantenuto nel modo corretto. Queste istruzioni DEVONO essere conservate insieme al prodotto.

Utilizzando il prodotto, l'utente conferma di aver letto attentamente tutte le istruzioni, le linee guida e le avvertenze e di aver compreso e accettato di rispettare i termini e le condizioni qui espressamente indicati. L'utente accetta di utilizzare questo prodotto solo per lo scopo e l'applicazione previsti e in conformità con le istruzioni, le linee guida e le avvertenze indicate nel presente manuale del prodotto, nonché in conformità con tutte le leggi e i regolamenti applicabili. La mancata lettura e osservanza delle istruzioni e delle avvertenze qui espressamente indicate può causare lesioni personali e a terzi, danni al prodotto o ad altre proprietà nelle vicinanze. Il presente manuale del prodotto, comprese le istruzioni, le linee guida e le avvertenze e la relativa documentazione possono essere soggetti a modifiche e aggiornamenti. Per informazioni aggiornate sul prodotto, si prega di visitare il sito www.dometic.com.

Indice

1	Spiegazione dei simboli	73
2	Istruzioni per la sicurezza	74
3	Montaggio del frigorifero	78
4	Specifiche tecniche.	82

1 Spiegazione dei simboli



AVVERTENZA!

Indicazione di sicurezza che segnala una situazione di pericolo che se non evitata può provocare morte o gravi lesioni.



ATTENZIONE!

Indicazione di sicurezza che segnala una situazione di pericolo che se non evitata può provocare lesioni lievi o di gravità media.



AVVISO!

Indicazione di una situazione che se non evitata può provocare danni materiali.



NOTA

Informazioni integranti relative all'impiego del prodotto.

2 Istruzioni per la sicurezza

Il produttore non si assume nessuna responsabilità per danni nei seguenti casi:

- errori di montaggio o di allacciamento
- danni al prodotto dovuti a influenze meccaniche o a un'errata tensione di allacciamento
- modifiche al prodotto senza esplicita autorizzazione del produttore
- impiego per altri fini rispetto a quelli descritti nel manuale di istruzioni

2.1 Sicurezza di base



AVVERTENZA! La mancata osservanza di queste avvertenze potrebbe causare la morte o lesioni gravi.

Pericolo di morte a causa di scossa elettrica

- Assicurarsi che l'apparecchio sia stato installato da un tecnico qualificato secondo quanto descritto nel manuale di installazione Dometic.
- Non mettere in funzione l'apparecchio se presenta danni visibili.
- Per evitare possibili pericoli legati alla sicurezza, se il cavo di collegamento del presente apparecchio è danneggiato deve essere sostituito dal produttore, dal suo servizio assistenza clienti oppure da personale ugualmente qualificato.
- Questo apparecchio può essere riparato solo da personale qualificato. Le riparazioni effettuate in modo scorretto possono causare gravi pericoli.

Pericolo di esplosione

- Nell'apparecchio non conservare sostanze esplosive come ad es. bombolette spray con gas propellente.

Pericolo per la salute

- Questo apparecchio può essere utilizzato da bambini di età superiore a 8 anni, da persone con ridotte capacità fisiche, sensoriali o mentali o da persone inesperte o prive di conoscenze specifiche solo se sorvegliate o preventivamente istruite sull'impiego dell'apparecchio in sicurezza e se informate dei pericoli legati al prodotto stesso.
- I bambini non devono giocare con l'apparecchio.
- La pulizia e la manutenzione non devono essere eseguite da bambini senza la presenza di un adulto.
- I bambini dai 3 agli 8 anni possono riempire e svuotare gli apparecchi di refrigerazione.

Situazione di pericolo per i bambini

- Assicurarci che i ripiani siano montati e fissati in modo che i bambini non possano chiudersi all'interno dell'apparecchio.
- Prima di smaltire il vostro vecchio frigorifero:
 - Smontare il cassetto.
 - Lasciare i piani d'appoggio all'interno del frigorifero in modo che i bambini non possano usarli come mezzi di salita.

**ATTENZIONE! La mancata osservanza di queste precauzioni potrebbe causare lesioni lievi o moderate.****Pericolo di schiacciamento**

- Non mettere le dita nella cerniera.

Pericolo per la salute

- I prodotti alimentari possono essere conservati solo nelle confezioni originali o in contenitori adeguati.

**AVVISO! Pericolo di danni**

- Confrontare i dati della tensione riportati sulla targhetta con quelli delle prese e degli attacchi disponibili.
- Se il veicolo non dispone di un dispositivo di interruzione da sottotensione della batteria, scollegare o disattivare l'apparecchio quando si spegne il motore. Altrimenti la batteria si può scaricare.
- L'apparecchio non è adatto per la conservazione di sostanze corrosive o solventi.
- Mantenere l'apertura di scarico sempre pulita.
- Non aprire in nessun caso il circuito di raffreddamento.
- Non trasportare l'apparecchio in posizione orizzontale, in modo da evitare che l'olio fuoriesca dal compressore e, di conseguenza, danneggi il circuito di raffreddamento.
- Prestare attenzione durante il trasporto a non danneggiare il circuito di raffreddamento. Il refrigerante nel circuito di raffreddamento è altamente infiammabile.
In caso di danneggiamento del circuito di raffreddamento:
 - Evitare fiamme libere e scintille.
 - Aerare bene l'ambiente.
- Installare l'apparecchio in un luogo asciutto e protetto da eventuali spruzzi d'acqua.

2.2 Sicurezza durante l'uso dell'apparecchio



PERICOLO! La mancata osservanza di queste avvertenze può causare la morte o lesioni gravi.

Pericolo di morte a causa di scossa elettrica

- Non toccare mai i cavi esposti a mani nude.



ATTENZIONE! La mancata osservanza di queste precauzioni potrebbe causare lesioni lievi o moderate.

Pericolo di scosse elettriche

- Prima della messa in funzione dell'apparecchio, assicurarsi che la rete di alimentazione e la spina siano asciutte.

Pericolo per la salute

- Assicurarsi che nell'apparecchio si trovino solo oggetti o prodotti che possono essere raffreddati alla temperatura selezionata.
- I prodotti alimentari possono essere conservati solo nelle confezioni originali o in contenitori adeguati.
- L'apertura prolungata della porta può causare un significativo aumento della temperatura nei vani dell'apparecchio.
- Pulire regolarmente le superfici che vengono a contatto con gli alimenti e i sistemi di scarico accessibili.
- Conservare la carne e il pesce crudi nell'apparecchio in contenitori idonei, in modo che non vengano a contatto con altri alimenti o non vi gocciolino sopra.
- Se l'apparecchio viene lasciato vuoto per lunghi periodi:
 - Spegnerlo l'apparecchio.
 - Sbrinare l'apparecchio.
 - Pulire e asciugare l'apparecchio.
 - Lasciare la porta aperta per evitare lo sviluppo di muffe all'interno dell'apparecchio.
- Se il frigorifero viene esposto a una temperatura ambiente inferiore a +10 °C per un periodo prolungato, non può essere garantita una temperatura omogenea nella cella freezer. Ciò può causare un aumento della temperatura nella cella freezer e lo scongelamento dei cibi ivi conservati.

Rischio di lesioni

- La porta dell'apparecchio o della cella freezer può staccarsi completamente dall'apparecchio in caso di uso improprio. Spingere le porte fino a quando non si sente chiaramente un clic in alto e in basso.

- Non appoggiarsi sulla porta dell'apparecchio aperta.

**AVVISO! Pericolo di danni**

- Se la porta non è bloccata correttamente sul lato opposto, spingerla su questo lato in alto e in basso fino a quando non si blocca.
- Collocare oggetti pesanti come ad es. bottiglie o scatolette esclusivamente nella porta dell'apparecchio, nello scomparto verdure o sulla griglia inferiore.
- Non utilizzare apparecchi elettrici all'interno del frigorifero, a eccezione di quelli consigliati dallo stesso produttore.
- Non collocare l'apparecchio nelle vicinanze di fiamme libere o altre fonti di calore (riscaldamento, intensa esposizione ai raggi solari, forni a gas ecc.).
- Assicurarsi che le aperture di aerazione non siano ostruite.
- Non versare nessun tipo di liquido o ghiaccio nel contenitore interno.
- Non immergere mai l'apparecchio in acqua.
- Proteggere l'apparecchio e il cavo dal caldo e dall'umidità.
- Fare attenzione che gli alimenti non entrino in contatto con le pareti della zona di raffreddamento.

**NOTA**

- Chiedere al costruttore del veicolo se la gestione della batteria del veicolo in questione spegne i dispositivi per proteggere la batteria.
- Mettere la porta dell'apparecchio e la porta della cella freezer in posizione invernale se non si intende utilizzare l'apparecchio per periodo di tempo prolungato. In questo modo si evita la formazione di muffa.
- Con temperature ambiente comprese tra +15 °C e +25 °C, selezionare la regolazione media della temperatura.

3 Montaggio del frigorifero



ATTENZIONE! Pericolo per la salute

Per evitare pericoli a causa dell'instabilità dell'apparecchio, fissarlo secondo le istruzioni.



Il manuale di istruzioni per la sostituzione del fermaporta e del pannello decorativo sono disponibili online all'indirizzo:

documents.dometic.com/?object_id=63258

L'apparecchio è adatto per essere installato in:

- caravan
- motorhome

3.1 Operazioni preliminari al montaggio



ATTENZIONE! Rischio di lesioni

Il dispositivo è dotato di spigoli vivi e i guanti devono essere utilizzati durante l'installazione.



AVVISO! Rischio di danni

- Il frigorifero non può essere installato nella parte posteriore dei caravan con la porta rivolta in direzione di marcia.
- Lasciare l'apparecchio in posizione verticale per almeno 3 ore prima della prima messa in funzione.



NOTA

- Nei camper è possibile installare un'unità sotto banco con lo sportello rivolto nella direzione di marcia, purché sia installata accanto allo sportello scorrevole e dietro il sedile del secondo conducente.
- Se il frigorifero a compressione sostituisce un'unità ad assorbimento, bisogna assicurarsi che le griglie di ventilazione esterna siano completamente chiuse, altrimenti c'è il rischio che il compressore non funzioni in presenza di basse temperature ambiente (< 0 °C).

Durante il montaggio del frigorifero, prestare attenzione alle seguenti indicazioni:

- Assicurarsi che il pavimento sia solido e piano.
A tal fine parcheggiare il veicolo in piano.
- Il frigorifero deve essere installato in modo da
 - essere facilmente accessibile per i lavori di manutenzione
 - permettere uno smontaggio e montaggio facili
 - essere rimosso facilmente dal veicolo
- Il frigorifero deve essere montato in una nicchia affinché rimanga sicuro quando il veicolo è in movimento. A tale proposito, osservare le dimensioni nella fig. **1**, pagina 3 e nella fig. **2**, pagina 4.
- Si noti anche la seguente dimensione dell'incavo (fig. **3**, pagina 5):

	RC10.4(S)(T).70	RC10.4(S)(T).90	RC10.4P.100
Altezza del frigorifero (A)	821 mm	975 mm	900 mm
Larghezza del frigorifero (B)	420 mm	420 mm	420 mm (compressore posteriore) 590 mm (compressore laterale)
Profondità del frigorifero (C) (esclude la manopola 5 mm)	450 mm	485 mm	655 mm (compressore posteriore) 485 mm (compressore laterale)
Altezza dell'incavo (H)	823 mm	977 mm	902 mm
Larghezza dell'incavo (W)	425 mm	425 mm	425 mm (compressore posteriore) 595 mm (compressore laterale)
Profondità dell'incavo (D)	452 mm	487 mm	657 mm (compressore posteriore) 487 mm (compressore laterale)

	RCL 10.4(S)(T)	RCD 10.5(S)(T)	RCD 10.5X(S)(T)
Altezza del frigorifero (A)	1293 mm	1282 mm	1282 mm
Larghezza del frigorifero (B)	420 mm	523 mm	523 mm
Profondità del frigorifero (C) (esclude la manopola 5 mm)	595 mm	565 mm	620 mm
Altezza dell'incavo (H)	1296 mm	1285 mm	1285 mm
Larghezza dell'incavo (W)	425 mm	528 mm	528 mm
Profondità dell'incavo (D)	598 mm	568 mm	623 mm

	RCS 10.5(S)(T)	RCS 10.5X(S)(T)
Altezza del frigorifero (A)	821 mm	821 mm
Larghezza del frigorifero (B)	523 mm	523 mm
Profondità del frigorifero (C) (esclude la manopola 5 mm)	555 mm	610 mm
Altezza dell'incavo (H)	824 mm	824 mm
Larghezza dell'incavo (W)	528 mm	528 mm
Profondità dell'incavo (D)	558 mm	613 mm

3.2 Montaggio dello scarico dell'acqua di condensa



NOTA

- All'interno del frigorifero può formarsi acqua di condensa per effetto di frequenti aperture della porta, di generi alimentari conservati scorrettamente o di generi alimentari riposti nel frigorifero quando sono ancora troppo caldi.
- La condensa deve essere fatta defluire per mezzo di una pendenza costante.

Installare lo scarico dell'acqua di condensa nel seguente modo.

- Far uscire dal frigorifero il tubo flessibile dell'acqua di condensa, facendolo passare attraverso un'apertura sul pavimento che conduce all'esterno.

3.3 Collegamento dell'alimentazione elettrica



AVVISO!

- L'installazione elettrica e le riparazioni possono essere eseguite solo da personale specializzato in conformità alle prescrizioni e alle norme vigenti nazionali.
- Per evitare perdite di tensione e pertanto un calo delle prestazioni, il cavo deve essere tenuto più corto possibile e possibilmente non deve essere interrotto. Per questo motivo evitare interruttori, spine o prese multiple supplementari.
- Prima del collegamento controllare se la tensione di esercizio e la tensione della batteria corrispondono (vedi targhetta).

- Determinare la sezione del cavo necessaria in funzione della sua lunghezza, come da fig. **4**, pagina 5.
- Collegare i cavi al connettore AMP del frigorifero (fig. **5**, pagina 6).
- Collegare le altre estremità dei cavi all'alimentazione a 12 V_{DC}:



AVVISO!

- Fare attenzione che la polarità sia corretta.
- Montare il cavo positivo (+) con un fusibile da 10 A.

- il più direttamente possibile
- rd (rosso): con un fusibile di protezione (10 A) montato sul polo positivo (+)
- bk (nero): sul polo negativo (-)

3.4 Fissaggio del frigorifero



AVVERTENZA! Pericolo di incendio

- Durante il posizionamento dell'apparecchio, assicurarsi che il cavo di alimentazione non venga bloccato o danneggiato.
- Non collocare prese multiple portatili o alimentatori portatili sul retro dell'apparecchio.



ATTENZIONE!

Forare sempre attraverso le apposite boccole, altrimenti vi è il rischio di danneggiare componenti schiumati, come i cavi.



NOTA

- Fissare le pareti laterali o i listelli applicati, in modo tale che le viti restino in posizione anche in caso di aumento dei carichi (durante la marcia del veicolo).
- Il frigorifero è realizzato per fornire un flusso d'aria regolato. Il produttore sconsiglia di lasciare uno spazio aggiuntivo tra il frigorifero e le pareti della nicchia di montaggio.

- Spostare il frigorifero nella sua posizione finale con la flangia anteriore che si appoggia saldamente contro la parte anteriore dell'incavo.
- Avvitare le viti (fig. **6**, pagina 6) attraverso le boccole in plastica nelle pareti laterali del frigorifero e quindi nella parete della nicchia.
- Applicare i cappucci di protezione sulle teste delle viti.

Installazione del pannello di controllo dell'RC 10.4P.100

- Installare il pannello di controllo come indicato (fig. **7**, pagina 7).


4 Specifiche tecniche


L'attuale dichiarazione di conformità UE per il proprio apparecchio è disponibile sulla relativa pagina del prodotto al sito dometic.com o direttamente tramite il produttore (vedi dometic.com/dealer).


Questo dispositivo è conforme al regolamento UN ECE R10.

Contiene gas fluorurati a effetto serra

Apparecchiature ermeticamente sigillate

	RC10.4(S)(T).70	RC10.4(S)(T).90	RC10.4P.100
Capienza			
Volume interno:	62 l	86 l	94 l
Vano frigorifero:	54,5 l	75,5 l	81 l
Cella freezer:	7,5 l	7,5 l	9 l
Capienza totale netta:	62 l	83 l	90 l
Esclusa la cella freezer			
Volume interno:	69 l	90 l	98 l
Capacità netta:	64 l	85 l	93 l
Tensione di allacciamento:	12 V \equiv	12 V \equiv	12 V \equiv
Potenza media assorbita:	42 W	45 W	48 W
Consumo energetico	0,45 kWh/24 h	0,45 kWh/24 h	0,48 kWh/24 h
Modalità PERFORMANCE:	37,5 Ah/24 h	37,5 Ah/24 h	38 Ah/24 h
Classe climatica:	T	T	T
Refrigerante:	R134a/40 g	R134a/43 g	R134a/47 g
Equivalente CO ₂ :	0,057 t	0,061 t	0,065 t
Potenziale di riscaldamento globale (GWP):	1430	1430	1430
Emissioni acustiche (EN60704)			
Modalità PERFORMANCE:	42 dB(A)	42 dB(A)	42 dB(A)
Modalità QUIET:	39 dB(A)	39 dB(A)	39 dB(A)
Dimensioni A x L x P (in mm):	821 x 420 x 450	975 x 420 x 485	902 x 420 x 655 (compressore posteriore) 902 x 590 x 485 (compressore laterale)
Peso:	19,5 kg	21,4 kg	21 kg
Ispezione/certificazione:			

	RCL 10.4(S)(T)	RCD 10.5(S)(T)	RCD 10.5X(S)(T)
Capienza			
Volume interno:	133 l	153 l	177 l
Vano frigorifero:	116 l	118 l	142 l
Cella freezer:	12 l	29 l	35 l
Capienza totale netta:	128 l	147 l	171 l
Esclusa la cella freezer			
Volume interno:	139 l	-	-
Capacità netta:	134 l	-	-
Tensione di allacciamento:	12 V $\overline{\text{---}}$	12 V $\overline{\text{---}}$	12 V $\overline{\text{---}}$
Potenza media assorbita:	54 W	54 W	54 W
Consumo energetico	0,44 kWh/24 h	0,51 kWh/24 h	0,52 kWh/24 h
Modalità PERFORMANCE:	37 Ah/24 h	43 Ah/24 h	44 Ah/24 h
Classe climatica:	ST	ST	ST
Refrigerante:	R134a/40 g	R134a/44 g	R134a/44 g
Equivalente CO ₂ :	0,057 t	0,057 t	0,057 t
Potenziale di riscaldamento globale (GWP):	1430	1430	1430
Emissioni acustiche (EN60704)			
Modalità PERFORMANCE:	42 dB(A)	42 dB(A)	42 dB(A)
Modalità QUIET:	39 dB(A)	39 dB(A)	39 dB(A)
Dimensioni A x L x P (in mm):	1293 x 420 x 595	1282 x 523 x 565	1282 x 523 x 620
Peso:	32 kg	36,5 kg	39,5 kg
Ispezione/certificazione:			

	RCS 10.5(S)(T)	RCS10.5X(S)(T)
Capienza		
Volume interno:	78 l	92 l
Vano frigorifero:	69,1 l	80,3 l
Cella freezer:	9,2 l	12,1 l
Capienza totale netta:	78 l	92 l
Esclusa la cella freezer		
Volume interno:	83 l	98 l
Capacità netta:	83 l	98 l
Tensione di allacciamento:	12 V	12 V
Potenza media assorbita:	5,9 A	5,5 A
Consumo energetico		
Modalità PERFORMANCE:	1,46 Ah/h	1,48 Ah/h
Classe climatica:	N, ST	N, ST
Refrigerante:	R600a/24 g	R600a/23 g
Equivalente CO ₂ :	0,000072 t	0,000069 t
Potenziale di riscaldamento globale (GWP):	3	3
Emissioni acustiche (EN60704)		
Con canale d'aria:		
Modalità PERFORMANCE:	44 dB(A)	44 dB(A)
Modalità QUIET:	39 dB(A)	39 dB(A)
Senza canale d'aria:		
Modalità PERFORMANCE:	42 dB(A)	42 dB(A)
Modalità QUIET:	38 dB(A)	38 dB(A)
Dimensioni A x L x P (in mm):	821 x 523 x 555	821 x 523 x 610
Peso:	24,5 kg	25 kg
Ispezione/certificazione:		

Lees alle instructies, richtlijnen en waarschuwingen in deze gebruiksaanwijzing en volg ze zorgvuldig op om ervoor te zorgen dat u het product te allen tijde op de juiste manier installeert, gebruikt en onderhoudt. Deze instructies MOETEN bij dit product bewaard worden.

Door het product te gebruiken, bevestigt u hierbij dat u alle instructies, richtlijnen en waarschuwingen zorgvuldig hebt gelezen en dat u de voorwaarden en condities zoals die hierin zijn beschreven begrijpt en accepteert. U gaat ermee akkoord dit product alleen te gebruiken voor het beoogde doel en de beoogde toepassing en in overeenstemming met de instructies, richtlijnen en waarschuwingen zoals beschreven in deze gebruiksaanwijzing en in overeenstemming met de geldende wet- en regelgeving. Het niet lezen en opvolgen van de hierin beschreven instructies en waarschuwingen kan leiden tot letsel voor uzelf en anderen, schade aan uw product of schade aan andere eigendommen in de omgeving. Deze gebruiksaanwijzing, met inbegrip van de instructies, richtlijnen en waarschuwingen, en de bijbehorende documentatie kan onderhevig zijn aan wijzigingen en updates. Actuele productinformatie vindt u op www.dometic.com.

Inhoudsopgave

1	Verklaring van de symbolen	86
2	Veiligheidsaanwijzingen	87
3	De koelkast monteren	91
4	Technische gegevens	95

1 Verklaring van de symbolen



WAARSCHUWING!

Veiligheidsaanwijzing met betrekking tot een gevaarlijke situatie die kan leiden tot ernstig letsel of de dood, als deze niet wordt vermeden.



VOORZICHTIG!

Veiligheidsaanwijzing met betrekking tot een gevaarlijke situatie die kan leiden tot licht of gemiddeld letsel, als deze niet wordt vermeden.



LET OP!

Aanwijzing met betrekking tot een situatie die kan leiden tot materiële schade, als deze niet wordt vermeden.



INSTRUCTIE

Meer informatie over de bediening van het product.

2 Veiligheidsaanwijzingen

De fabrikant kan in de volgende gevallen niet aansprakelijk worden gesteld voor schade:

- montage- of aansluitfouten
- beschadiging van het product door mechanische invloeden en verkeerde aansluitspanning
- veranderingen aan het product zonder uitdrukkelijke toestemming van de fabrikant
- gebruik voor andere dan de in de handleiding beschreven toepassingen

2.1 Algemene veiligheid



WAARSCHUWING! Het niet in acht nemen van deze waarschuwingen kan leiden tot ernstig letsel of de dood.

Levensgevaar door elektrische schok

- Zorg ervoor dat het toestel wordt geïnstalleerd door een gekwalificeerd technicus en in overeenstemming met de Dometic-montagehandleiding.
- Gebruik het toestel niet als het zichtbaar beschadigd is.
- Als de stroomkabel van het toestel beschadigd is, moet deze, om gevaren te voorkomen, worden vervangen door de fabrikant, diens klantenservice of een gelijkwaardig gekwalificeerd persoon.
- Dit toestel mag uitsluitend worden gerepareerd door gekwalificeerde personen. Door ondeskundige reparaties kunnen grote gevaren ontstaan.

Explosiegevaar

- Bewaar geen explosiegevaarlijke stoffen in het toestel, zoals spuitbussen met drijfgas.

Gevaar voor de gezondheid

- Dit toestel mag worden gebruikt door kinderen vanaf 8 jaar en ouder evenals door personen met verminderd fysiek, zintuiglijk of mentaal vermogen of gebrek aan kennis en ervaring, mits zij onder toezicht staan of zijn geïnstrueerd in het veilig gebruik van het toestel en zij inzicht hebben in de gevaren die het gebruik van het toestel met zich meebrengt.
- Kinderen mogen niet met het toestel spelen.

- Reiniging en gebruikersonderhoud mogen niet door kinderen zonder toezicht worden uitgevoerd.
- Kinderen van 3 tot 8 jaar mogen koeltoestellen in- en uitruimen.

Gevaar voor kinderen

- Zorg ervoor dat de legplanken zodanig zijn gemonteerd en beveiligd dat kinderen zich niet in het toestel kunnen opsluiten.
- Voor het afvoeren van uw oude koelkast:
 - Demonteer de laden.
 - Laat de legplanken in de koelkast, zodat kinderen er niet in kunnen klimmen.



VOORZICHTIG! Het niet in acht nemen van deze waarschuwingen kan leiden tot licht of matig letsel.

Beknellingsgevaar

- Grijp niet in het scharnier.

Gevaar voor de gezondheid

- Levensmiddelen mogen alleen in de originele verpakking of in geschikte bakken worden bewaard.



LET OP! Gevaar voor beschadiging

- Controleer of de spanning op het typeplaatje overeenkomt met de aanwezige energievoorziening.
- Als het voertuig geen beveiliging tegen diepontlading van de accu heeft, schakel het toestel dan uit of ontkoppel het van de accu wanneer u de motor afzet. Anders kan de voertuigaccu leeg raken.
- Het toestel is niet geschikt voor de opslag van bijtende of oplosmiddelhoudende stoffen.
- Houd de afvoerleiding altijd schoon.
- Open in geen geval de koelkring.
- Transporteer het toestel niet in horizontale positie, zodat er geen olie uit de compressor kan lekken; dit zou de koelkring beschadigen.
- Voorkom beschadiging van de koelkring tijdens transport. Het koelmiddel in de koelkring is licht ontvlambaar. In geval van beschadiging van de koelkring:
 - Vermijd open vuur en vonken.
 - Ventileer de ruimte goed.
- Stel het toestel op een droge en tegen spatwater beschermde plaats op.

2.2 Het toestel veilig gebruiken



GEVAAR! Het niet in acht nemen van deze waarschuwingen leidt tot ernstig letsel of de dood.

Levensgevaar door elektrische schok

- Raak blanke leidingen nooit met blote handen aan.



VOORZICHTIG! Het niet in acht nemen van deze waarschuwingen kan leiden tot licht of matig letsel.

Gevaar voor elektrische schokken

- Let er voor de ingebruikname op dat voedingskabel en stekker droog zijn.

Gevaar voor de gezondheid

- Zorg ervoor dat u alleen voorwerpen in het toestel legt die op de gekozen temperatuur gekoeld mogen worden.
- Levensmiddelen mogen alleen in de originele verpakking of in geschikte bakken worden bewaard.
- Langdurig openen van de deur kan leiden tot een aanzienlijke temperatuurstijging in de compartimenten van het toestel.
- Reinig afvoersystemen en oppervlakken die in contact komen met levensmiddelen regelmatig.
- Bewaar rauw vlees en rauwe vis in geschikte bakken in het toestel, zodat contact met andere levensmiddelen niet mogelijk is, ook niet door druppelen.
- Als het toestel voor een langere periode leeg wordt gehouden:
 - Schakel het toestel uit.
 - Ontdooi het toestel.
 - Reinig en droog het toestel.
 - Laat de deur open om schimmelvorming in het toestel te voorkomen.
- As de koelkast langdurig wordt blootgesteld aan een ruimtemtemperatuur onder +10 °C, kan een gelijkmatige temperatuur in het vriesvak niet worden gegarandeerd. Dit kan leiden tot een temperatuurstijging in het vriesvak waardoor de opgeslagen levensmiddelen kunnen ontdooien.

Gevaar voor verwonding

- De toesteldeur of vriezerdeur kunnen compleet losraken van het toestel als ze onjuist worden gebruikt. Druk de deuren dicht tot er een duidelijke klik aan de boven- en onderzijde hoorbaar is.

- Leun niet op de geopende toesteldeur.

**LET OP! Gevaar voor beschadiging**

- Als de deur niet correct vergrendeld is aan de tegenoverliggende zijde, druk aan die zijde dan op de boven- en onderzijde van de deur totdat deze vergrendelt.
- Bewaar zware voorwerpen zoals flessen of conserven uitsluitend in de toesteldeur, in het groentevak of op de onderste legplank.
- Gebruik geen elektrische toestellen in de koelkast, tenzij deze toestellen daarvoor door de fabrikant worden aanbevolen.
- Plaats het toestel niet in de buurt van open vuur of andere warmtebronnen (verwarming, sterke zonnestraling, gasovens enz.).
- Let op dat de ventilatieopeningen niet afgedekt zijn.
- Vul het binnenreservoir niet met vloeistoffen of ijs.
- Dompel het toestel nooit onder in water.
- Bescherm het toestel en de kabels tegen hitte en vocht.
- Let op dat levensmiddelen de wanden van de koelruimte niet aanraken.

**INSTRUCTIE**

- Vraag uw voertuigfabrikant of het accumanagementsysteem van uw voertuig de toestellen uitschakelt om de accu te beschermen.
- Zet de toesteldeur en de vriezerdeur in de winterpositie als u de koelkast langdurig niet gaat gebruiken. Zo wordt schimmelvorming voorkomen.
- Selecteer bij omgevingstemperaturen van +15 °C tot +25 °C de middelste temperatuurinstelling.

3 De koelkast monteren



VOORZICHTIG! Gevaar voor de gezondheid

Om gevaar door instabiliteit van het toestel te voorkomen, moet het volgens de instructies worden bevestigd.



De handleiding voor het wijzigen van de deurstop en de decoplaat vindt u online op:

documents.dometic.com/?object_id=63258

Het toestel is bedoeld voor installatie in:

- caravans
- campers

3.1 De montage voorbereiden



VOORZICHTIG! Gevaar voor letsel

Het toestel heeft scherpe randen en tijdens de montage moeten er handschoenen worden gedragen.



LET OP! Gevaar voor schade

- De koelkast mag niet worden geïnstalleerd aan de achterzijde van een camper met de deur in rijrichting.
- Laat het toestel ten minste 3 uur in een verticale positie alvorens het voor de eerste keer in te schakelen.



INSTRUCTIE

- In campingbusjes mag er een onderkast worden geïnstalleerd waarvan de deuren in rijrichting wijzen, mits deze naast de schuifdeur en achter de stoel van de bijrijder wordt geïnstalleerd.
- Als de compressorkoelkast een absorptieaggregaat vervangt, dient u ervoor te zorgen dat de externe ventilatieroosters volledig gesloten zijn. Anders bestaat het risico dat de compressor bij lage omgevingstemperaturen (~onder 0 °C) niet loopt.

Neem bij de montage van de koelkast volgende aanwijzingen in acht:

- Zorg ervoor dat de vloer horizontaal en stevig is.
Parkeer het voertuig hiervoor horizontaal.

- De koelkast moet zodanig worden geïnstalleerd dat
 - deze eenvoudig toegankelijk is voor onderhoudswerk
 - deze eenvoudig kan worden gedemonteerd en gemonteerd
 - deze eenvoudig uit het voertuig kan worden verwijderd
- De koelkast moet in een nis worden ingebouwd, zodat hij bij beweging van het voertuig veilig staat. Let hiervoor op de afmetingen in afb. **1**, pagina 3 en afb. **2**, pagina 4.
- Let ook op de volgende afmetingen van de nis (afb. **3**, pagina 5):

	RC10.4(S)(T).70	RC10.4(S)(T).90	RC10.4P.100
Koelkasthoogte (A)	821 mm	975 mm	900 mm
Koelkastbreedte (B)	420 mm	420 mm	420 mm (achtercompressor) 590 mm (zijcompressor)
Koelkastdiepte (C) (exclusief regelknop 5 mm)	450 mm	485 mm	655 mm (achtercompressor) 485 mm (zijcompressor)
Hoogte nis (H)	823 mm	977 mm	902 mm
Breedte nis (W)	425 mm	425 mm	425 mm (achtercompressor) 595 mm (zijcompressor)
Diepte nis (D)	452 mm	487 mm	657 mm (achtercompressor) 487 mm (zijcompressor)

	RCL 10.4(S)(T)	RCD 10.5(S)(T)	RCD 10.5X(S)(T)
Koelkasthoogte (A)	1293 mm	1282 mm	1282 mm
Koelkastbreedte (B)	420 mm	523 mm	523 mm
Koelkastdiepte (C) (exclusief regelknop 5 mm)	595 mm	565 mm	620 mm
Hoogte nis (H)	1296 mm	1285 mm	1285 mm
Breedte nis (W)	425 mm	528 mm	528 mm
Diepte nis (D)	598 mm	568 mm	623 mm

	RCS 10.5(S)(T)	RCS 10.5X(S)(T)
Koelkasthoogte (A)	821 mm	821 mm
Koelkastbreedte (B)	523 mm	523 mm
Koelkastdiepte (C) (exclusief regelknop 5 mm)	555 mm	610 mm
Hoogte nis (H)	824 mm	824 mm
Breedte nis (W)	528 mm	528 mm
Diepte nis (D)	558 mm	613 mm

3.2 De condensafvoer monteren



INSTRUCTIE

- Door openen van de deur, onjuist bewaren van levensmiddelen of door warme levensmiddelen kan in de koelkast condens ontstaan.
- Condens moet worden afgevoerd.

Monteer de condensafvoer als volgt:

- Leg de condenswaterslang van de koelkast door een opening in de vloer naar buiten.

3.3 De stroomvoorziening aansluiten

**LET OP!**

- De elektrische installatie alsmede reparaties mogen alleen door een vakman conform de geldende nationale voorschriften en normen worden uitgevoerd.
- Om spanningsverlies en daardoor vermogensverlies te voorkomen, moet de kabel zo kort mogelijk worden gehouden en indien mogelijk niet worden onderbroken. Vermijd daarom extra schakelaars, stekkers of verdeelkasten.
- Controleer voor de aansluiting of de bedrijfsspanning en de accuspanning overeenkomen (zie typeplaatje).

- ▶ Bepaal de vereiste kabeldiameter afhankelijk van de kabellengte conform afb. **4**, pagina 5.
- ▶ Verbind de kabels met de AMP-aansluiting van de koelkast (afb. **5**, pagina 6).
- ▶ Verbind het andere uiteinde van de kabels met de 12V $\overline{\text{---}}$ -stroomvoorziening:

**LET OP!**

- Let hierbij op de juiste polariteit.
- Voorzie de pluskabel (+) van een 10A-zekering.
 - zo direct mogelijk
 - rd (rood): met een zekering (10 A) aan de pluspool (+)
 - bk (zwart): aan de minpool (-)

3.4 Koelkast bevestigen



WAARSCHUWING! Brandgevaar

- Zorg er bij het positioneren van het toestel voor dat de voedingskabel niet verstrikt of beschadigd raakt.
- Plaats geen meervoudige stekkerdozen of draagbare voedingen op de achterkant van het toestel.



VOORZICHTIG!

Schroef alleen door de hiervoor bedoelde bussen, omdat anders ingeschuimde componenten zoals kabels en dergelijke beschadigd kunnen raken.



INSTRUCTIE

- Bevestig de zijwanden of de aangebrachte lijsten zodanig dat de schroeven goed vastzitten, zelfs bij verhoogde belasting (tijdens het rijden).
- De koelkast is ontworpen om een gereguleerde luchtstroom te leveren. De fabrikant adviseert niet om ruimte tussen de koelkast en de uitsparingswanden over te laten.

- Plaats de koelkast op zijn definitieve locatie met de flens aan de voorzijde stevig tegen de front van de nis.
- Draai de schroeven (afb. **6**, pagina 6) door de kunststof bussen heen in de zijwanden van de koelkast en verder in de wand.
- Plaats de afdekkappen op de schroefkoppen.

Het bedieningspaneel van RC10.4P.100 monteren

- Monteer het bedieningspaneel zoals afgebeeld (afb. **7**, pagina 7).


4 Technische gegevens


De actuele EG-conformiteitsverklaring voor uw apparaat ontvangt u op de desbetreffende productpagina van dometic.com of direct via de fabrikant (zie dometic.com/dealer).


Dit toestel voldoet aan VN/ECE-reglement R10.

Bevat gefluoreerde broeikasgassen

Hermetisch afgesloten apparatuur

	RC10.4(S)(T).70	RC10.4(S)(T).90	RC10.4P.100
Capaciteit			
Bruto-inhoud:	62 l	86 l	94 l
Koelvak:	54,5 l	75,5 l	81 l
Vriesvak:	7,5 l	7,5 l	9 l
Totale netto capaciteit:	62 l	83 l	90 l
Zonder vriesvak			
Bruto-inhoud:	69 l	90 l	98 l
Netto-inhoud:	64 l	85 l	93 l
Aansluitspanning:	12 V \equiv	12 V \equiv	12 V \equiv
Gemiddeld opgenomen vermogen:	42 W	45 W	48 W
Energieverbruik PERFORMANCE-modus:	0,45 kWh/24 h 37,5 Ah/24 h	0,45 kWh/24 h 37,5 Ah/24 h	0,48 kWh/24 h 38 Ah/24 h
Klimaatklasse:	T	T	T
Koudemiddel:	R134a/40 g	R134a/43 g	R134a/47 g
CO ₂ -equivalent:	0,057 t	0,061 t	0,065 t
Aardopwarmingsvermogen (GWP):	1430	1430	1430
Geluidsemisatie (EN60704) PERFORMANCE-modus: QUIET-modus:	42 dB(A) 39 dB(A)	42 dB(A) 39 dB(A)	42 dB(A) 39 dB(A)
Afmetingen h x b x d (in mm):	821 x 420 x 450	975 x 420 x 485	902 x 420 x 655 (achtercompressor) 902 x 590 x 485 (zijcompressor)
Gewicht:	19,5 kg	21,4 kg	21 kg
Keuring/certificering:			

	RCL 10.4(S)(T)	RCD 10.5(S)(T)	RCD 10.5X(S)(T)
Capaciteit			
Bruto-inhoud:	133 l	153 l	177 l
Koelvak:	116 l	118 l	142 l
Vriesvak:	12 l	29 l	35 l
Totale netto capaciteit:	128 l	147 l	171 l
Zonder vriesvak			
Bruto-inhoud:	139 l	–	–
Netto-inhoud:	134 l	–	–
Aansluitspanning:	12 V $\overline{=}$	12 V $\overline{=}$	12 V $\overline{=}$
Gemiddeld opgenomen vermogen:	54 W	54 W	54 W
Energieverbruik	0,44 kWh/24 h	0,51 kWh/24 h	0,52 kWh/24 h
PERFORMANCE-modus:	37 Ah/24 h	43 Ah/24 h	44 Ah/24 h
Klimaatklasse:	ST	ST	ST
Koudemiddel:	R134a/40 g	R134a/44 g	R134a/44 g
CO ₂ -equivalent:	0,057 t	0,057 t	0,057 t
Aardopwarmingsvermogen (GWP):	1430	1430	1430
Geluidsemissie (EN60704)			
PERFORMANCE-modus:	42 dB(A)	42 dB(A)	42 dB(A)
QUIET-modus:	39 dB(A)	39 dB(A)	39 dB(A)
Afmetingen h x b x d (in mm):	1293 x 420 x 595	1282 x 523 x 565	1282 x 523 x 620
Gewicht:	32 kg	36,5 kg	39,5 kg
Keuring/certificering:			

	RCS 10.5(S)(T)	RCS10.5X(S)(T)
Capaciteit		
Bruto-inhoud:	78 l	92 l
Koelvak:	69,1 l	80,3 l
Vriesvak:	9,2 l	12,1 l
Totale netto capaciteit:	78 l	92 l
Zonder vriesvak		
Bruto-inhoud:	83 l	98 l
Netto-inhoud:	83 l	98 l
Aansluitspanning:	12 V	12 V
Gemiddeld opgenomen vermogen:	5,9 A	5,5 A
Energieverbruik PERFORMANCE-modus:	1,46 Ah/h	1,48 Ah/h
Klimaatklasse:	N, ST	N, ST
Koudemiddel:	R600a/24 g	R600a/23 g
CO ₂ -equivalent:	0,000072 t	0,000069 t
Aardopwarmingsvermogen (GWP):	3	3
Geluidsemissie (EN60704)		
Met luchtkanaal:		
PERFORMANCE-modus:	44 dB(A)	44 dB(A)
QUIET-modus:	39 dB(A)	39 dB(A)
Zonder luchtkanaal:		
PERFORMANCE-modus:	42 dB(A)	42 dB(A)
QUIET-modus:	38 dB(A)	38 dB(A)
Afmetingen h x b x d (in mm):	821 x 523 x 555	821 x 523 x 610
Gewicht:	24,5 kg	25 kg
Keuring/certificering:		

Læs og følg alle disse anvisninger, retningslinjer og advarsler i denne produktvejledning grundigt for at sikre, at du altid installerer, bruger og vedligeholder produktet korrekt. Disse anvisninger SKAL opbevares sammen med dette produkt.

Ved at benytte produktet bekræfter du hermed, at du har læst alle anvisninger, retningslinjer og advarsler grundigt, og at du forstår og er indforstået med de vilkår og betingelser, der er fastlagt heri. Du er indforstået med kun at bruge dette produkt til det beregnede formål og anvendelse i overensstemmelse med anvisningerne, retningslinjerne og advarslerne i denne produktvejledning samt i overensstemmelse med alle de gældende love og forskrifter. Manglende læsning og ignorering af disse anvisninger og advarsler kan medføre kvæstelser på dig selv og andre, skade på dit produkt eller skade på anden ejendom i nærheden. Der tages forbehold for eventuelle ændringer og opdateringer af denne produktvejledning samt anvisningerne, retningslinjerne og advarslerne samt den tilhørende dokumentation. Se www.dometic.com for de nyeste produktinformationer.

Indholdsfortegnelse

1	Forklaring af symbolerne	99
2	Sikkerhedshenvisninger	99
3	Montering af køleskabet	103
4	Tekniske data	108

1 Forklaring af symbolerne



ADVARSEL!

Sikkerhedshenvisning til en farlig situation, der kan medføre død eller alvorlige kvæstelser, hvis den ikke undgås.



FORSIGTIG!

Sikkerhedshenvisning til en farlig situation, der kan medføre lette eller mindre kvæstelser, hvis den ikke undgås.



VIGTIGT!

Henvisning til en situation, der kan medføre materielle skader, hvis den ikke undgås.



BEMÆRK

Supplerende informationer om betjening af produktet.

2 Sikkerhedshenvisninger

Producenten påtager sig intet ansvar for skader i følgende tilfælde:

- Monterings- eller tilslutningsfejl

- Beskadigelser på apparatet på grund af mekanisk påvirkning og forket tilslutningsspænding
- Ændringer på produktet uden udtrykkelig tilladelse fra producenten
- Anvendelse til andre formål end dem, der er beskrevet i vejledningen

2.1 Grundlæggende sikkerhed



ADVARSEL! Manglende overholdelse af disse advarsler kan medføre dødelige eller alvorlige kvæstelser.

Livsfare på grund af elektrisk stød

- Kontrollér, at apparatet er blevet monteret af en kvalificeret tekniker i overensstemmelse med monteringsvejledningen fra Dometic.
- Hvis apparatet har synlige beskadigelser, må apparatet ikke tages i brug.
- Hvis dette apparats tilslutningskabel er beskadiget, skal det udskiftes af producenten eller dennes kundeservice eller en tilsvarende uddannet person for at forhindre farer.
- Reparationer på dette apparat må kun foretages af kvalificeret personale. Ved ukorrekte reparationer kan der opstå betydelige farer.

Eksplodingsfare

- Opbevar ikke eksplosive stoffer som f.eks. spraydåser med drivgas i apparatet.

Sundhedsfare

- Dette apparat kan anvendes af børn over 8 år og personer med reducerede fysiske, sans- eller mentale evner eller uden erfaring eller viden, hvis de er under opsyn eller blev instrueret i sikker brug af apparatet og forstår de involverede farer.
- Børn må ikke lege med apparatet.
- Rengøring og vedligeholdelse må ikke udføres af børn uden opsyn.
- Børn i alderen fra 3 til 8 år må fylde og tømme køleapparater.

Fare for børn

- Kontrollér, at hylderne er monteret og sikret korrekt, så børn ikke kan låse sig selv inde i apparatet.
- Før det gamle køleskab bortskaffes:
 - Afmonter skuffen.
 - Lad hylderne blive i køleskabet, så børn ikke kan gå ind i det.



FORSIGTIG! Manglende overholdelse af disse forsigtigheds-henvisninger kan medføre mindre eller moderate kvæstelser.

Fare for at komme i klemme

- Grib ikke ind i hængslet.

Sundhedsfare

- Fødevarer må kun opbevares i original emballage eller egnede beholdere.



VIGTIGT! Fare for beskadigelse

- Sammenlign spændingsangivelsen på typeskiltet med energiforsyningen, der er til rådighed.
- Hvis dit køretøj ikke har en batterifrakobling ved underspænding, skal du afbryde apparatet eller slukke for det, når du slukker for motoren. I modsat fald kan køretøjsbatteriet blive afladet.
- Apparatet er ikke egnet til opbevaring af stoffer, der er ætsende eller indeholder opløsningsmidler!
- Hold altid udløbsåbningen ren.
- Åbn under ingen omstændigheder kølekredsløbet.
- Du må ikke transportere apparatet i vandret position, så der ikke kan løbe olie ud fra kompressoren, hvilket kan medføre, at kølemiddelkredsløbet bliver beskadiget.
- Sørg ved transport for, at kølemiddelkredsløbet ikke beskadiges. Kølemidlet i kølekredsløbet er letantændeligt.
Ved en beskadigelse af kølemiddelkredsløbet:
 - Undgå åben ild og antændelsesgnister.
 - Udluft rummet grundigt.
- Stil apparatet på et tørt sted, der er beskyttet mod stænkvand.

2.2 Sikkerhed under anvendelse af apparatet



FARE! Manglende overholdelse af disse advarsler medfører dødelige eller alvorlige kvæstelser.

Fare for elektrisk stød

- Tag aldrig fat i uisolerede ledninger med bare hænder.



FORSIGTIG! Manglende overholdelse af disse forsigtigheds-henvisninger kan medføre mindre eller moderate kvæstelser.

Livsfare på grund af elektrisk stød

- Kontrollér før ibrugtagning, at tilførselsledningen og stikket er tørre.

Sundhedsfare

- Sørg for, at der kun er genstande eller varer i apparatet, der må afkøles til den valgte temperatur.
- Madvarer må kun opbevares i original emballage eller egnede beholdere.
- Hvis døren er åben i længere tid, kan temperaturen stige betydeligt i apparatets rum.
- Rengør regelmæssigt overflader, som kan komme i kontakt med levnedsmidler og adgang til kloaksystemer.
- Opbevar rå kød og fisk i egnede beholdere i apparatet, så rå kød og fisk ikke kommer i kontakt med eller kan dryppe ned på andre madvarer.
- Hvis apparatet er tomt i længere tid:
 - Sluk apparatet.
 - Sluk for apparatet.
 - Rengør og tør apparatet.
 - Lad døren være åben for at forhindre, at der dannes mug inden i apparatet.
- Hvis køleskabet er udsat for en rumtemperatur under +10 °C i længere tid, kan en ensartet temperatur i fryseboksen ikke garanteres. Det kan medføre, at fryseboksens temperatur forøges, og at de opbevarede varer tør op.

Fare for kvæstelser

- Apparatets eller fryserens dør kan løsne sig helt fra apparatet, hvis den ikke anvendes korrekt. Tryk dørene i, indtil du hører et tydeligt klik øverst og nederst.
- Læn dig ikke op ad apparatets dør, når den er åben.



VIGTIGT! Fare for beskadigelse

- Hvis døren er ikke låst korrekt på den modsatte side, skal du skubbe øverst og nederst på den pågældende side, indtil den går i indgreb.
- Opbevar udelukkende tunge genstande som f.eks. flasker eller dåser i apparatets dør, i grøntsagsskuffen eller på den nederste gitterhylde.
- Anvend ikke elektriske apparater i køleskabet, undtagen hvis producenten anbefaler disse apparater hertil.
- Stil det ikke i nærheden af åben ild eller andre varmekilder (varmeapparater, stærk sol, gasovne osv.).
- Kontrollér, at ventilationsåbningerne ikke er tildækket.
- Fyld ikke væsker eller is i den indvendige beholder.

- Dyp aldrig apparatet i vand.
- Beskyt apparatet og kablerne mod varme og fugtighed.
- Sørg for, at fødevarerne ikke berører kølerummets væg.

**BEMÆRK**

- Spørg køretøjsproducenten, om dit køretøjs batteri management lukker apparater ned for at beskytte batteriet.
- Anbring apparatets og fryserens dør i vinterpositionen, hvis du ikke vil anvende apparatet i en længere tidsperiode. På den måde undgås det, at der dannes mug.
- Ved udenomstemperaturer på mellem +15 °C og +25 °C skal man vælge den midterste temperaturindstilling.

3 **Montering af køleskabet**

**FORSIGTIG! Sundhedsfare**

For at undgå en fare, fordi apparatet er ustabil, skal det fastgøres i overensstemmelse med anvisningerne.



Du kan finde vejledningen til skift af døranslaget og dekorationspladen online på:

documents.dometic.com/?object_id=63258

Apparatet er egnet montering i:

- campingvogne
- autocampere

3.1 Forberedelse af installationen

**FORSIGTIG! Fare for kvæstelser**

Apparatet har skarpe kanter, og der bør anvendes handsker under monteringen.

**VIGTIGT! Fare for beskadigelse**

- Køleskabet må ikke installeres bagest i autocampere med døren i kørselsretningen.
- Lad apparatet stå i en lodret position i mindst 3 timer, før du starter det første gang.

**BEMÆRK**

- I campingvogne kan der monteres en indbygningsenhed med døren vendt mod køreretningen, så længe den monteres ved siden af skydedøren og bag passagersædet.
- Hvis kompressorkøleskabet erstatter en absorptionsenhed, skal du kontrollere, at de udvendige ventilationsgitter er helt lukkede, ellers er der fare for, at kompressoren ikke kører ved lave omgivelsestemperaturer (~under 0 °C).

Vær opmærksom på følgende henvisninger ved montage af køleskabet:

- Kontrollér, at gulvet er fast og vandret.
Parkér til dette formål køretøjet vandret.
- Køleskabet skal installeres, så
 - det er nemt at udføre servicearbejde
 - det er nemt at montere og afmontere
 - det er nemt at fjerne fra køretøjet
- Køleskabet skal indbygges i en niche, så det står sikkert, når køretøjet er i bevægelse. Notér i denne forbindelse målene i fig. **1**, side 3 og fig. **2**, side 4.

- Notér også følgende udskæringsmål (fig. **3**, side 5):

	RC10.4(S)(T).70	RC10.4(S)(T).90	RC10.4P.100
Køleskabets højde (A)	821 mm	975 mm	900 mm
Køleskabets bredde (B)	420 mm	420 mm	420 mm (kompressor bagved) 590 mm (kompressor i siden)
Køleskabets dybde (C) (uden styreknappen på 5 mm)	450 mm	485 mm	655 mm (kompressor bagved) 485 mm (kompressor i siden)
Udskæringens højde (H)	823 mm	977 mm	902 mm
Udskæringens bredde (W)	425 mm	425 mm	425 mm (kompressor bagved) 595 mm (kompressor i siden)
Udskæringens dybde (D)	452 mm	487 mm	657 mm (kompressor bagved) 487 mm (kompressor i siden)

	RCL10.4(S)(T)	RCD10.5(S)(T)	RCD10.5X(S)(T)
Køleskabets højde (A)	1293 mm	1282 mm	1282 mm
Køleskabets bredde (B)	420 mm	523 mm	523 mm
Køleskabets dybde (C) (uden styreknappen på 5 mm)	595 mm	565 mm	620 mm
Udskæringens højde (H)	1296 mm	1285 mm	1285 mm
Udskæringens bredde (W)	425 mm	528 mm	528 mm
Udskæringens dybde (D)	598 mm	568 mm	623 mm

	RCS10.5(S)(T)	RCS10.5X(S)(T)
Køleskabets højde (A)	821 mm	821 mm
Køleskabets bredde (B)	523 mm	523 mm
Køleskabets dybde (C) (uden styreknappen på 5 mm)	555 mm	610 mm
Udskæringens højde (H)	824 mm	824 mm
Udskæringens bredde (W)	528 mm	528 mm
Udskæringens dybde (D)	558 mm	613 mm

3.2 Montering af kondensvandsfløbet



BEMÆRK

- Der kan dannes kondensvand i køleskabet, hvis døren åbnes tit, madvarer opbevares ukorrekt, eller madvarer er for varme, når de lægges ind.
- Kondensvand skal aftappes med en konstant hældning.

Montér kondensvandsfløbet på følgende måde:

- Før kondensvandsslagen fra køleskabet gennem en åbning i gulvet, som fører udenfor.

3.3 Tilslutning af strømforsyningen

**VIGTIGT!**

- Den elektriske installation samt reparationer må kun udføres af en fagmand i henhold til de gældende nationale forskrifter og standarder.
- For at undgå spændingstab og derfor et fald i ydeevne skal kablet holdes så kort som muligt og bør ikke afbrydes, hvis det er muligt. Undgå af denne grund ekstra kontakter, stik eller fordelerdåser.
- Kontrollér før tilslutningen, om driftsspændingen og batterispændingen stemmer overens (se typeskilt).

- ▶ Bestem kablets nødvendige tværsnit afhængigt af kabellængden iht. **fig. 4**, side 5.
- ▶ Tilslut kablerne til køleskabets AMP-stik (fig. **5**, side 6).
- ▶ Tilslut de andre ender af kablerne til 12 V \equiv strømforsyningen:

**VIGTIGT!**

- Kontrollér i den forbindelse, at polerne ikke ombyttes.
 - Udstyr det positive (+) kabel med en sikring på 10 A.
- Så direkte som muligt
 - rd (rød): med en sikring (10 A) anbragt på den positive (+) pol
 - bk (sort): til den negative (-) pol

3.4 Fastgørelse af køleskabet

**ADVARSEL! Brandfare**

- Når apparatet positioneres, skal det sikres, at strømledningen sidder i klemme eller beskadiges.
- Placér ikke flere bærbare stikdåser eller bærbare strømforsyninger i bagved apparatet.

**FORSIGTIG!**

Skrú altid gennem de pågældende bøsninger, da indskummede komponenter som f.eks. ledninger kan blive beskadiget.

**BEMÆRK**

- Fastgør sidevæggene eller de anbragte lister, så skrúerne selv sidder fast ved forøget belastning (under kørslen).
- Køleskabet er beregnet til at leveret en reguleret luftstrøm. Producenten anbefaler ikke, at der sørges for ekstra plads mellem køleskabet og nichens væg.

- Fly køleskabet til dets endelige plads med frontflange siddende tæt mod udkæringsfronten.
- Skrú skrúerne (fig. **6**, side 6) gennem kunststoffbøsningerne i køleskabets sidevægge og videre ind i nichevæggen.
- Sæt afdækningskapperne på skrúehovederne.

Montering af betjeningspanelet til RC10.4P.100

- Montér betjeningspanelet som vist (fig. **7**, side 7).


4 Tekniske data


Den aktuelle EU-overensstemmelseserklæring for dit apparat får du på den pågældende produktside på dometic.com eller direkte hos producenten (se dometic.com/dealer).


Dette apparat opfylder FN ECE forordning R10.

Indeholder fluorerede drivhusgasser

Hermetisk lukkede anlæg eller hermetisk lukket udstyr

	RC10.4(S)(T).70	RC10.4(S)(T).90	RC10.4P.100
Indhold			
Bruttoindhold:	62 l	86 l	94 l
Køleboks:	54,5 l	75,5 l	81 l
Fryseboks:	7,5 l	7,5 l	9 l
Samlet nettoindhold:	62 l	83 l	90 l
Uden fryseboks			
Bruttoindhold:	69 l	90 l	98 l
Nettoindhold:	64 l	85 l	93 l
Tilslutningsspænding:	12 V \equiv	12 V \equiv	12 V \equiv
Gennemsnitlig strømforsyning:	42 W	45 W	48 W
Energiforbrug	0,45 kWh/24 h	0,45 kWh/24 h	0,48 kWh/24 h
PERFORMANCE-modus:	37,5 Ah/24 h	37,5 Ah/24 h	38 Ah/24 h
Klimaklasse:	T	T	T
Kølemiddel:	R134a/40 g	R134a/43 g	R134a/47 g
CO ₂ -ækvivalent:	0,057 t	0,061 t	0,065 t
Drivhuspotentiale (GWP):	1430	1430	1430
Støjemission (EN60704)			
PERFORMANCE-modus:	42 dB(A)	42 dB(A)	42 dB(A)
QUIET-modus:	39 dB(A)	39 dB(A)	39 dB(A)
Mål H x B x D (i mm):	821 x 420 x 450	975 x 420 x 485	902 x 420 x 655 (kompressor bagved) 902 x 590 x 485 (kompressor i siden)
Vægt:	19,5 kg	21,4 kg	21 kg
Godkendelse/certifikat:			

	RCL 10.4(S)(T)	RCD 10.5(S)(T)	RCD 10.5X(S)(T)
Indhold			
Bruttoindhold:	133 l	153 l	177 l
Køleboks:	116 l	118 l	142 l
Fryseboks:	12 l	29 l	35 l
Samlet nettoindhold:	128 l	147 l	171 l
Uden fryseboks			
Bruttoindhold:	139 l	–	–
Nettoindhold:	134 l	–	–
Tilslutningsspænding:	12 V $\overline{=}$	12 V $\overline{=}$	12 V $\overline{=}$
Gennemsnitlig strømforsyning:	54 W	54 W	54 W
Energiforbrug PERFORMANCE-modus:	0,44 kWh/24 h 37 Ah/24 h	0,51 kWh/24 h 43 Ah/24 h	0,52 kWh/24 h 44 Ah/24 h
Klimaklasse:	ST	ST	ST
Kølemiddel:	R134a / 40 g	R134a/44 g	R134a/44 g
CO ₂ -ækvivalent:	0,057 t	0,057 t	0,057 t
Drivhuspotentiale (GWP):	1430	1430	1430
Støjemission (EN60704) PERFORMANCE-modus: QUIET-modus:	42 dB(A) 39 dB(A)	42 dB(A) 39 dB(A)	42 dB(A) 39 dB(A)
Mål H x B x D (i mm):	1293 x 420 x 595	1282 x 523 x 565	1282 x 523 x 620
Vægt:	32 kg	36,5 kg	39,5 kg
Godkendelse/certifikat:			

	RCS 10.5(S)(T)	RCS10.5X(S)(T)
Indhold		
Bruttoindhold:	78 l	92 l
Køleboks:	69,1 l	80,3 l
Fryseboks:	9,2 l	12,1 l
Samlet nettoindhold:	78 l	92 l
Uden fryseboks		
Bruttoindhold:	83 l	98 l
Nettoindhold:	83 l	98 l
Tilslutningsspænding:	12 V	12 V
Gennemsnitlig strømforsyning:	5,9 A	5,5 A
Energiforbrug		
PERFORMANCE-modus:	1,46 Ah/h	1,48 Ah/h
Klimaklasse:	N, ST	N, ST
Kølemiddel:	R600a / 24 g	R600a / 23 g
CO2-ækvivalent:	0,000072 t	0,000069 t
Drivhuspotentiale (GWP):	3	3
Støjemission (EN60704)		
Med luftkanal:		
PERFORMANCE-modus:	44 dB(A)	44 dB(A)
QUIET-modus:	39 dB(A)	39 dB(A)
Uden luftkanal:		
PERFORMANCE-modus:	42 dB(A)	42 dB(A)
QUIET-modus:	38 dB(A)	38 dB(A)
Mål H x B x D (i mm):	821 x 523 x 555	821 x 523 x 610
Vægt:	24,5 kg	25 kg
Godkendelse/certifikat:		

Läs och följ noggrant alla instruktioner, direktiv och varningar i den här produkthandboken för att säkerställa att du alltid installerar, använder och underhåller produkten på rätt sätt. Dessa instruktioner **MÅSTE** förvaras tillsammans med produkten.

Genom att använda produkten bekräftar du härmed att du noggrant har läst alla instruktioner, direktiv och varningar och att du förstår och är införstådd med att följa de villkor som anges här. Du är införstådd med att endast använda denna produkt i avsett syfte och i enlighet med instruktionerna, direktiven och varningarna som anges i denna produkthandbok samt i enlighet med alla gällande lagar och bestämmelser. Om du inte läser och följer instruktionerna och varningarna som anges här kan det leda till personskador på dig eller andra, på produkten eller annan egendom i närheten. Denna produkthandbok, inklusive instruktionerna, direktiven och varningarna samt relaterad information, kan ändras och uppdateras. För uppdaterad produktinformation, besök www.dometic.com.

Innehållsförteckning

1	Förklaring av symboler	112
2	Säkerhetsanvisningar	112
3	Installera kylskåpet	117
4	Tekniska data	121

1 Förklaring av symboler



VARNING!

Säkerhetsanvisning för en farlig situation som, om den inte går att undvika, kan ge upphov till dödsfall eller allvarliga personskador.



AKTA!

Säkerhetsanvisning för en farlig situation som, om den inte går att undvika, kan ge upphov till en lindrig eller måttlig personskada.



OBSERVERA!

Anvisning för en situation som, om den inte går att undvika, kan ge upphov till materiella skador.



ANVISNING

Kompletterande information om användning av produkten.

2 Säkerhetsanvisningar

Tillverkaren övertar inget ansvar för skador i följande fall:

- monterings- eller anslutningsfel
- skador på produkten orsakade av mekanisk påverkan eller fel anslutnings-spänning

- ändringar som utförts utan uttryckligt medgivande från tillverkaren
- ej ändamålsenlig användning

2.1 Allmänna säkerhetsanvisningar



WARNING! Om man underlåter att följa de här varningarna kan följden bli dödsfall eller allvarlig personskada.

Livsfara på grund av elchock

- Säkerställ att apparaten har installerats av en behörig tekniker enligt Dometics installationsmanual.
- Om apparaten uppvisar synliga skador får den ej tas i drift.
- Om apparatens anslutningskabel skadas måste den, av säkerhetsskäl, bytas ut av tillverkaren, tillverkarens kundtjänst eller annan person med motsvarande behörighet.
- Denna apparat får endast repareras av härför utbildad personal. Icke fackmässiga reparationer kan medföra allvarliga risker.

Explosionsrisk

- Lagra inga ämnen som kan explodera i apparaten, som t.ex. sprayburkar med drivgas.

Hälsorisk

- Barn från åtta års ålder, personer med nedsatt fysisk, sensorisk eller mental förmåga, eller personer med bristande erfarenhet och kunskaper får använda den här apparaten förutsatt att de hålls under uppsikt eller om de har fått anvisningar om hur man använder den här apparaten på ett säkert sätt och känner till vilka risker som är förknippade med användningen.
- Barn får inte leka med apparaten.
- Utan uppsikt får barn inte utföra rengörings- eller underhållsarbeten.
- Barn i åldrarna tre till åtta år får lasta in eller ut varor i eller ur kylapparater.

Barnfälla

- Kontrollera att hyllorna är monterade och säkrade så att barn inte kan låsa in sig i apparaten.
- Innan det gamla kylskåpet omhändertas:
 - Demontera lådan.
 - Låt hyllorna vara kvar i kylskåpet så att barn inte kan klättra in i skåpet.



AKTA! Om man underlåter att följa de här försiktighetsåtgärderna kan följden bli lindrig eller måttlig personskada.

Risk för klämskador

- Håll fingrarna borta från gångjärnen.

Hälsorisk

- Livsmedel får endast förvaras i originalförpackningarna eller i andra lämpliga behållare.



OBSERVERA! Risk för saksador

- Jämför spänningsuppgifterna på typskylten med elförsörjningen på plats.
- Om det inte finns något utsnitt för batteriets underspänning, ska du koppla bort apparaten eller stänga av den när du stänger av motorn. Annars kan fordonsbatteriet laddas ur.
- Apparaten är inte ämnad för lagring av frätande ämnen eller ämnen som innehåller lösningsmedel.
- Se till att utloppsöppningen alltid är ren.
- Öppna aldrig kylkretsloppet.
- Transportera inte apparaten i horisontellt läge för att förhindra att olja läcker ut ur kompressorn och på så vis skada kylkretsen.
- Se till att inte skada kylkretsen vid transport. Kylmedlet i kylkretsloppet är lättantändligt.
Vid skador på kylkretsen:
 - Undvik öppen eld och gnistbildning.
 - Ventilera rummet nogga.
- Ställ apparaten i ett torrt utrymme, se till att den skyddas mot vattenstänk.

2.2 Säkerhet vid användning av apparaten



FARA! Om man underlåter att följa de här varningarna blir följden dödsfall eller allvarlig personskada.

Livs fara på grund av elchock

- Ta inte tag i avskalade ledningar med händerna.



AKTA! Om man underlåter att följa de här försiktighetsåtgärderna kan följden bli lindrig eller måttlig personskada.

Risk för dödsfall på grund av elektricitet

- Kontrollera, innan apparaten tas i drift, att elkabeln och stickkontakten är torra.

Hälsorisk

- Se till att det endast finns föremål resp. varor i apparaten som får kylas till den inställda temperaturen.
- Livsmedel får endast förvaras i originalförpackningarna eller i andra lämpliga behållare.
- Om dörren hålls öppen under lång tid finns det risk att man får en betydande ökning av temperaturen i apparaten.
- Rengör med jämna mellanrum ytor som kan komma i kontakt med livsmedel och åtkomliga avloppssystem.
- Förvara rått kött och rå fisk i lämpliga behållare i apparaten, så att det inte kommer i kontakt med eller kan droppa på andra livsmedel.
- Om apparaten står tom under lång tid:
 - Stäng av apparaten.
 - Avfrostas apparaten.
 - Rengör och torka apparaten.
 - Lämna dörren öppen för att förhindra att det bildas mögel i apparaten.
- Om kylskåpet under en längre tid står i en rumstemperatur under +10 °C, kan det inte säkerställas att frysfackets temperatur hålls jämn. Detta kan leda till att temperaturen i frysfacket ökar och att varorna som förvaras där tinar.

Risk för personskada

- Om apparatens dörr eller frysfacksdörren används på fel sätt finns det risk att den helt lossnar från apparaten. Tryck igen dörrarna tills det hörs ett tydligt klick upptill och nedtill.
- Luta dig inte mot den öppna apparatdörren.



OBSERVERA! Risk för saksador

- Om dörren på den motsatta sidan inte är ordentligt låst, ska du skjuta upptill och nedtill på den sidan tills låset hakar i.
- Tungta varor som t.ex. flaskor eller burkar ska endast förvaras i apparatens dörr, i grönsaksfacket eller på det nedre gallret.

- Använd inga elektriska produkter för arbeten inne i kylapparaten. Undantag: produkterna rekommenderas för sådan användning av tillverkaren.
- Ställ inte upp den i närheten av öppen eld eller andra värmekällor (värmeelement, starkt solljus, gasspisar osv.).
- Se till att ventilationsöppningarna inte är täckta.
- Fyll inte innerfacket med vätskor eller is.
- Doppa aldrig ner apparaten i vatten.
- Skydda apparaten och kablarna mot värme och fukt.
- Se till att livsmedlen i kylskåpet inte vidrör väggarna i kylan.



ANVISNING

- Be fordonstillverkaren specificera vilka enheter som skyddar batteriet om fordonets batteristyrning skulle stängas av.
- Om du inte har för avsikt att använda apparaten under en längre tid ska du sätta apparatens dörr och frysfacksdörren i vinterläge. På det här sättet bildas det inte mögel.
- För omgivningstemperaturer på mellan +15 °C till +25 °C ska man välja medeltemperaturinställningen.

3 Installera kylskåpet



AKTA! Hälsorisk

Fastsätt apparaten enligt anvisningarna så att det inte uppstår risker till följd av instabilitet.



Handboken med anvisningar om hur man ändrar luckstoppet och luckans dekorplatta hittar man på:

documents.dometic.com/?object_id=63258

Den här apparaten är avsedd för installation i:

- husvagnar
- husbilar

3.1 Förbereda installationen



AKTA! Risk för personskada

Det finns vassa kanter på apparaten och därför ska man använda handskar vid installationen.



OBSERVERA! Risk för skada

- Kylskåpet får inte installeras längst bak i husbilar med dörren i körriktningen.
- Apparaten ska befinna sig i vertikalt läge i minst 3 timmar innan den startas för första gången.



ANVISNING

- I campingbilar kan man installera en underkonstruktion om dörren pekar i körriktningen så länge som den installeras intill skjutdörren och bakom medförarsätet.
- Om man byter ut en absorptionsenhet mot kompressorkylskåpet måste man kontrollera att de externa ventilationsgallren verkligen är stängda, annars finns det risk att kompressorn inte körs vid låga omgivningstemperaturer (~under 0 °C).

Beakta följande anvisningar vid installationen av kylskåpet:

- Kontrollera att golvet är stabilt och jämnt.
Av den här anledningen ska man placera fordonet i vågrätt läge.
- Installera kylskåpet så att det är lätt att komma
 - åt för servicearbete och
 - avinstallation eller installation samt utan problem
 - kan monteras av från fordonet
- Kylskåpet måste installeras i en nisch så att det står säkert när fordonet rör sig. Ta hänsyn till måtten på bild **1**, sida 3 och bild **2**, sida 4 för det här syftet.
- Ta även hänsyn till det här måttet för urtagen (bild **3**, sida 5):

	RC10.4(S)(T).70	RC10.4(S)(T).90	RC10.4P.100
Kylskåpets höjd (A)	821 mm	975 mm	900 mm
Kylskåpets bredd (B)	420 mm	420 mm	420 mm (Bakre kompressor) 590 mm (Sidokompressor)
Kylskåpets djup (C) (utan styrvrede 5 mm)	450 mm	485 mm	655 mm (Bakre kompressor) 485 mm (Sidokompressor)
Urtagshöjd (H)	823 mm	977 mm	902 mm
Urtagsbredd (B)	425 mm	425 mm	425 mm (Bakre kompressor) 595 mm (Sidokompressor)
Urtagsdjup (D)	452 mm	487 mm	657 mm (Bakre kompressor) 487 mm (Sidokompressor)

	RCL 10.4(S)(T)	RCD 10.5(S)(T)	RCD 10.5X(S)(T)
Kylskåpets höjd (A)	1 293 mm	1 282 mm	1 282 mm
Kylskåpets bredd (B)	420 mm	523 mm	523 mm
Kylskåpets djup (C) (utan styrvrede 5 mm)	595 mm	565 mm	620 mm
Urtagshöjd (H)	1 296 mm	1 285 mm	1 285 mm
Urtagsbredd (B)	425 mm	528 mm	528 mm
Urtagsdjup (D)	598 mm	568 mm	623 mm

	RCS 10.5(S)(T)	RCS 10.5X(S)(T)
Kylskåpets höjd (A)	821 mm	821 mm
Kylskåpets bredd (B)	523 mm	523 mm
Kylskåpets djup (C) (utan styrvrede 5 mm)	555 mm	610 mm
Urtagshöjd (H)	824 mm	824 mm
Urtagsbredd (B)	528 mm	528 mm
Urtagsdjup (D)	558 mm	613 mm

3.2 Installera kondensvattenutloppet



ANVISNING

- När dörren öppnas ofta kan det hända att det bildas kondensvatten inuti kylskåpet. Kondensvatten kan även bildas på grund av livsmedel som förvaras på fel sätt eller om man förvara livsmedel vid för hög värme.
- Det måste alltid finnas en lutning så att kondensvattnet kan ledas ut.

Installera kondensvattenutloppet på följande sätt:

- Dra kondensvattenslangen från kylskåpet, genom en öppning i golvet som leder ut.

3.3 Anslut strömförsörjningen

**OBSERVERA!**

- Endast specialister får utföra elinstallationen och reparationsarbeten under iakttagande av gällande nationella bestämmelser och normer.
- Använd kortast möjliga kabel och bryt om möjligt inte av den så att du inte drabbas av spännings- och effektförluster. Undvik därför ytterligare brytare, kontakter och fördelningsdosor.
- Kontrollera att driftspänningen och batterispänningen stämmer överens före anslutningen (se typskylten).

- ▶ Bestäm kabelarean så att den passar till kabellängden, se bild **4**, sida 5.
- ▶ Anslut kablarna till kylskåpets AMP-kontakt (bild **5**, sida 6).
- ▶ Anslut kablarnas andra ändrar till 12 V $\overline{=}$ -strömförsörjningen:

**OBSERVERA!**

- Se till att polerna ansluts rätt.
 - Anslut den positiva (+) kabeln till en 10 A-säkring.
- så direkt som möjligt
 - rd (röd): med ett säkringsskydd (10 A) anslutet till (+)-polen
 - bk (svart): till den negativa (-)-polen

3.4 Fästa kylskåp

**VARNING! Brandrisk**

- Kontrollera att elsladden inte har fastnat eller skadats i samband med placering av apparaten.
- Placera inte ut flera bärbara uttag eller bärbara nätaggregat bakom apparaten.

**AKTA!**

Skruva alltid genom härför avsedda bussningar eftersom skummade komponenter, t.ex. kablar, annars risker att skadas.

**ANVISNING**

- Fäst sidoväggarna eller de monterade listerna så att skruvarna sitter fast även vid högre belastning (under körning).
- Kylskåpet är utformat för att tillföra ett reglerat luftflöde. Enligt tillverkarens rekommendation bör det inte finnas något utrymme mellan kylskåpet och väggarnas ursparningar.

- ▶ Flytta kylskåpet till det slutgiltiga läget med den främre flänsens position tätt intill urtagets framsida.
- ▶ Skruva fast skruvarna (bild **6**, sida 6) genom plastbussningarna i kylskåpets sidor och sedan i väggen.
- ▶ Sätt dit skydden på skruvskallarna.

Installera kontrollpanelen för RC10.4P.100

- ▶ Installera kontrollpanelen enligt bilden (bild **7**, sida 7).


4 Tekniska data


Aktuell EU-försäkran om överensstämmelse för maskinen kan erhållas från respektive produktsida på dometic.com eller direkt via tillverkaren (se dometic.com/dealer).


Den här apparaten uppfyller kraven för UN/ECE-förordningen R10.

Innehåller fluorerade växthusgaser

Hermetiskt sluten utrustning

	RC10.4(S)(T).70	RC10.4(S)(T).90	RC10.4P.100
Volym			
Bruttovolym:	62 l	86 l	94 l
Kylfack:	54,5 l	75,5 l	81 l
Frysack:	7,5 l	7,5 l	9 l
Total nettovolym:	62 l	83 l	90 l
Exklusive frysack			
Bruttovolym:	69 l	90 l	98 l
Nettovolym:	64 l	85 l	93 l
Anslutningsspänning:	12 V \equiv	12 V \equiv	12 V \equiv
Genomsnittlig strömingång:	42 W	45 W	48 W
Energiförbrukning	0,45 kWh/24 h	0,45 kWh/24 h	0,48 kWh/24 h
EFFEKT-läget:	37,5 Ah/24 h	37,5 Ah/24 h	38 Ah/24 h
Klimatklass:	T	T	T
Kylvätska:	R134a/40 g	R134a/43 g	R134a/47 g
Motsvarande CO ₂ :	0,057 t	0,061 t	0,065 t
Global uppvärmingspotential (GWP):	1430	1430	1430
Buller (EN60704)			
EFFEKT-läget:	42 dB(A)	42 dB(A)	42 dB(A)
TYST-läge:	39 dB(A)	39 dB(A)	39 dB(A)
Mått H x B x D (i mm):	821 x 420 x 450	975 x 420 x 485	902 x 420 x 655 (Bakre kompressor) 902 x 590 x 485 (Sidokompressor)
Vikt:	19,5 kg	21,4 kg	21 kg
Provning/certifikat:			

	RCL 10.4(S)(T)	RCD 10.5(S)(T)	RCD 10.5X(S)(T)
Volym			
Bruttovolym:	133 l	153 l	177 l
Kylfack:	116 l	118 l	142 l
Frysack:	12 l	29 l	35 l
Total nettovolym:	128 l	147 l	171 l
Exklusive frysack			
Bruttovolym:	139 l	–	–
Nettovolym:	134 l	–	–
Anslutningsspänning:	12 V \equiv	12 V \equiv	12 V \equiv
Genomsnittlig strömingång:	54 W	54 W	54 W
Energiförbrukning	0,44 kWh/24 h	0,51 kWh/24 h	0,52 kWh/24 h
EFFEKT-läget:	37 Ah/24 h	43 Ah/24 h	44 Ah/24 h
Klimatklass:	ST	ST	ST
Kylvätska:	R134a/40 g	R134a/44 g	R134a/44 g
Motsvarande CO ₂ :	0,057 t	0,057 t	0,057 t
Global uppvärmingspotential (GWP):	1430	1430	1430
Buller (EN60704)			
EFFEKT-läget:	42 dB(A)	42 dB(A)	42 dB(A)
TYST-läge:	39 dB(A)	39 dB(A)	39 dB(A)
Mått H x B x D (i mm):	1293 x 420 x 595	1282 x 523 x 565	1282 x 523 x 620
Vikt:	32 kg	36,5 kg	39,5 kg
Provning/certifikat:			

	RCS 10.5(S)(T)	RCS10.5X(S)(T)
Volym		
Bruttovolym:	78 l	92 l
Kylfack:	69,1 l	80,3 l
Frysack:	9,2 l	12,1 l
Total nettovolym:	78 l	92 l
Exklusive frysack		
Bruttovolym:	83 l	98 l
Nettovolym:	83 l	98 l
Anslutningsspänning:	12 V	12 V
Genomsnittlig strömingång:	5,9 A	5,5 A
Energiförbrukning		
EFFEKT-läget:	1,46 Ah/h	1,48 Ah/h
Klimatklass:	N, ST	N, ST
Kylvätska:	R600a/24 g	R600a/23 g
Motsvarande CO ₂ :	0,000072 t	0,000069 t
Global uppvärmningspotential (GWP):	3	3
Buller (EN60704)		
Med luftkanal:		
EFFEKT-läget:	44 dB(A)	44 dB(A)
TYST-läge:	39 dB(A)	39 dB(A)
Utan luftkanal:		
EFFEKT-läget:	42 dB(A)	42 dB(A)
TYST-läge:	38 dB(A)	38 dB(A)
Mått H x B x D (i mm):	821 x 523 x 555	821 x 523 x 610
Vikt:	24,5 kg	25 kg
Provning/certifikat:		

Vennligst les disse instruksjonene nøye og følg alle instruksjoner, retningslinjer og advarsler som er inkludert i denne produktveiledningen for å sikre at du installerer, bruker og vedlikeholder produktet ordentlig til enhver tid. Disse instruksjonene MÅ følge med dette produktet.

Ved å bruke dette produktet bekrefter du at du har lest alle instruksjoner, retningslinjer og advarsler nøye, og at du forstår og aksepterer å overholde betingelsene og vilkårene slik de er presentert her. Du godtar å bruke dette produktet kun til tiltenkt formål og anvendelse, og i samsvar med instruksjonene, retningslinjene og advarslene slik de er presentert i denne produktveiledningen, så vel som i samsvar med alle gjeldende lovbestemmelser og forskrifter. Hvis instruksjonene og advarslene som er presentert her, ikke blir lest og fulgt, kan dette resultere i personskader hos deg selv eller andre, skade på produktet eller skade på annen eiendom i nærheten. Denne produktveiledningen, inkludert instruksjonene, retningslinjene og advarslene, samt relatert dokumentasjon, kan være underlagt endringer og oppdateringer. For oppdatert produktinformasjon, se www.dometic.com.

Innholdsfortegnelse

1	Symbolforklaring	125
2	Sikkerhetsregler	126
3	Montere kjøleskapet	130
4	Tekniske spesifikasjoner	134

1 Symbolforklaring



ADVARSEL!

Sikkerhetshenvisning til en faresituasjon som kan føre til alvorlige personskader, eventuelt med døden til følge, dersom de ikke blir unngått.



FORSIKTIG!

Sikkerhetshenvisning til en faresituasjon som kan føre til lette eller middels alvorlige personskader, dersom de ikke blir unngått.



PASS PÅ!

Henvisning til en situasjon som kan føre til tingskader dersom den ikke blir unngått.



MERK

Utfyllende informasjon om betjening av produktet.

2 Sikkerhetsregler

Produsenten tar i følgende tilfeller intet ansvar for skader:

- Montasje- eller tilkoblingsfeil
- Skader på produktet på grunn av mekanisk påvirkning og feil tilkoblingsspenning
- Endringer på produktet uten at det er gitt uttrykkelig godkjenning av produsenten
- Bruk til andre formål enn det som er beskrevet i veiledningen

2.1 Grunnleggende sikkerhet



ADVARSEL! Manglende overholdelse av disse advarslene kan resultere i alvorlige personskader, eventuelt med døden til følge.

Livsfare på grunn av strømstøt

- Forsikre deg om at apparatet har blitt installert av en kvalifisert tekniker i samsvar med Dometics monteringsanvisning.
- Apparatet må ikke tas i bruk hvis det har synlige skader.
- Hvis tilkoblingskabelen til dette apparatet er skadet, må den for å unngå farer byttes av produsenten eller dennes kundeservice eller en tilsvarende utdannet person for å forhindre at sikkerheten settes i fare.
- Reparasjoner på dette apparatet må kun utføres av kvalifiserte fagfolk. Usakkyndige reparasjoner kan føre til alvorlige farer.

Eksplisjonsfare

- Ikke lagre eksplosjonsfarlige stoffer, som f.eks. spraybokser med drivgass, i apparatet.

Helsefare

- Dette apparatet kan brukes av barn fra 8 år og oppover og personer med reduserte fysiske, sensoriske eller mentale evner eller som mangler erfaring og kunnskap, hvis de er under oppsyn eller har fått veiledning i hvordan apparatet brukes på en forsvarlig måte og forstår hvilke farer det innebærer.
- Barn må ikke leke med apparatet.
- Rengjøring og vedlikehold skal ikke utføres av barn uten at de er under oppsyn.
- Barn i alderen 3–8 år får lov til å laste og losse kjøleapparater

Farlig for barn

- Sørg for at hyllene er montert og festet slik at barn ikke kan sperre seg selv inne i enheten.
- Før ditt gamle kjøleskap skal kastes
 - Demonter skuffen.
 - La hyllene bli værende i kjøleskapet, slik at barn ikke kan gå inn i det.

**FORSIKTIG! Manglende overholdelse av disse forsiktighetsvarslene kan resultere i mindre til moderate personskader.****Fare for kvestelser**

- Ikke grip i hengselet.

Helsefare

- Næringsmidler må kun oppbevares i originalemballasjen eller i egnede beholdere.

**PASS PÅ! Fare for skader**

- Kontrollen spenningsspesifikasjonene på merkeskiltet stemmer overens med den foreliggende strømforsyningen.
- Hvis kjøretøyet ikke har en underspenningsutløser, frakobler du apparatet eller slår det av når du slår av motoren. Ellers kan kjøretøybatteriet lades ut.
- Apparatet er ikke egnet for lagring av etsende eller løsemiddelholdige stoffer.
- Avløpsåpningen må holdes ren.
- Kjølekretsløpet må ikke åpnes under noen omstendigheter.
- Ikke transporter apparatet i en horisontal posisjon. Slik unngår du at olje lekker ut av kompressoren og skader kjølemiddelkretsløpet.
- Pass på at kjølemiddelkretsløpet ikke kommer til skade under transporten. Kjølemiddelet i kjølemiddelkretsløpet er lett antennelig. Ved skader på kjølemiddelkretsløpet:
 - Unngå åpen ild og gnister.
 - Sørg for god ventilasjon i rommet.
- Sett apparatet på et tørt sted som er beskyttet mot vannsprut.

2.2 Sikkerhet ved bruk av apparatet



FARE! Manglende overholdelse av disse advarslene resulterer i alvorlige personskader, eventuelt med døden til følge.

Livsfare på grunn av strømstøt

- Ikke berør blanke ledninger med bare hender.



FORSIKTIG! Manglende overholdelse av disse forsiktighetsvarslene kan resultere i mindre til moderate personskader.

Fare for elektrisk støt

- Sikre at strømkabelen og støpselet er tørre før apparatet startes opp.

Helsefare

- Pass på at det bare befinner seg gjenstander eller varer som tåler nedkjøling til valgt temperatur, i apparatet.
- Matvarer må oppbevares i originalforpakning eller i egnede beholdere.
- Det å åpne døren for en lengre periode kan føre til en vesentlig økning av temperaturen i apparatets rom.
- Overflater som kan komme i kontakt med matvarer og tilgjengelige deler av dreneringssystemet, må rengjøres regelmessig.
- Oppbevar rått kjøtt og fisk i egnede beholdere i enheten, slik at det ikke kommer i kontakt med eller kan dryppe på andre matvarer.
- Hvis enheten blir værende tom over lengre tid:
 - Slå av apparatet.
 - Avrim apparatet.
 - Rengjør og tørk apparatet.
 - La døren være åpent for å unngå muggdannelse inne i apparatet.
- Hvis kjøleskapet over lengre tid er utsatt for en romtemperatur under +10 °C, kan det ikke garanteres en jevn temperatur i fryserommet. Dette kan føre til en temperaturstigning i fryserommet, og de oppbevarte matvarene kan tine.

Fare for personskader

- Apparatets dør eller fryserdøren kan løsnes fullstendig fra enheten hvis enheten brukes på feil måte. Trykk igjen døren helt til det høres et tydelig klikk oppe og nede.
- Ikke len deg mot den åpne døren.

**PASS PÅ! Fare for skader**

- Hvis døren ikke er låst korrekt på motsatt side, må det dyttes oppe og nede på døren på den siden helt til den smekker på plass.
- Plasser store gjenstander som f.eks. flasker eller bokser utelukkende i apparatets dør, i grønnsakskuffen eller nedre trådhyll.
- Ikke bruk elektriske apparater inne i kjøleapparatet dersom disse apparatene ikke er anbefalt for dette av produsenten.
- Ikke plasser apparatet i nærheten av åpen flamme eller andre varmekilder (oppvarming, sterk solbestråling, gassovner osv.).
- Forsikre deg om at ventilasjonsåpningene ikke er tildekket.
- Fyll ikke væsker eller is i den innvendige beholderen.
- Dypp aldri apparatet i vann.
- Beskytt apparatet og kablen mot varme og fuktighet.
- Påse at matvarer ikke kommer i kontakt med veggene i kjølerommet.

**MERK**

- Spør din kjøretøysprodusent om batteriforvaltningen på kjøretøyet slår av enheten for å beskytte batteriet.
- Sett apparatdøren og fryserdøren i vinterposisjon hvis apparatet ikke skal brukes på en god stund. Dermed unngår man muggdannelse.
- Ved omgivelsestemperaturer på +15 °C til +25 °C velges gjennomsnittlig temperaturinnstilling.

3 Montere kjøleskapet



FORSIKTIG! Helsefare

For å unngå farer som følge av en manglende stabilitet på apparatet, må det festes i samsvar med instruksene.



Du finner bruksanvisningen for bytte av dørstopper og dekorplate online på:

documents.dometic.com/?object_id=63258

Apparatet er egnet for montasje i:

- campingbiler
- bobiler

3.1 Forberede montering



FORSIKTIG! Fare for personskader

Apparatet har skarpe kanter, og man bør bruke hansker under installasjon.



PASS PÅ! Fare for skader

- Kjøleskapet kan ikke installeres bak i bobiler med døren pekende i kjøreretning.
- La apparatet være i vertikal posisjon i minst 3 timer før du starter opp for første gang.



MERK

- I campingbiler kan en underskaphenhet installeres med døren pekende i kjøreretningen, såfremt den installeres ved siden av skyvedøren og bak passasjeretet.
- Hvis kompressorkjøleskapet erstatter et absorpsjonsapparat, må du forsikre deg om at de utvendige lufttegitrene er helt lukket. Ellers er det fare for at kompressoren ikke kan drives ved lave omgivelsestemperaturer (under 0 °C).

Følg ved montering av kjøleskapet følgende tips:

- Forsikre deg om at gulvet er solid og vannrett. Parker derfor kjøretøyet horisontalt.
- Kjøleskapet må installeres slik at det
 - er lett tilgjengelig for servicearbeider
 - er lett å deinstallere og installere
 - enkelt kan fjernes fra kjøretøyet
- Kjøleskapet må monteres i en nisje slik at det står sikkert når kjøretøyet beveges. Vær oppmerksom på målene i fig. **1**, side 3 og fig. **2**, side 4 for dette formålet.
- Vær også oppmerksom på følgende åpningsmål (fig. **3**, side 5):

	RC10.4(S)(T).70	RC10.4(S)(T).90	RC10.4P.100
Kjøleskaphøyde (A)	821 mm	975 mm	900 mm
Kjøleskapbredde (B)	420 mm	420 mm	420 mm (kompressorenhet bak) 590 mm (kompressorenhet på siden)
Kjøleskapdybde (C) (unntatt kontrollknapp 5 mm)	450 mm	485 mm	655 mm (kompressorenhet bak) 485 mm (kompressorenhet på siden)
Åpningshøyde (H)	823 mm	977 mm	902 mm
Åpningsbredde (W)	425 mm	425 mm	425 mm (kompressorenhet bak) 595 mm (kompressorenhet på siden)
Åpningsdybde (D)	452 mm	487 mm	657 mm (kompressorenhet bak) 487 mm (kompressorenhet på siden)

	RCL 10.4(S)(T)	RCD 10.5(S)(T)	RCD 10.5X(S)(T)
Kjøleskaphøyde (A)	1293 mm	1282 mm	1282 mm
Kjøleskapbredde (B)	420 mm	523 mm	523 mm
Kjøleskapdybde (C) (unntatt kontrollknapp 5 mm)	595 mm	565 mm	620 mm
Åpningshøyde (H)	1296 mm	1285 mm	1285 mm
Åpningsbredde (W)	425 mm	528 mm	528 mm
Åpningsdybde (D)	598 mm	568 mm	623 mm

	RCS 10.5(S)(T)	RCS 10.5X(S)(T)
Kjøleskaphøyde (A)	821 mm	821 mm
Kjøleskapbredde (B)	523 mm	523 mm
Kjøleskapdybde (C) (unntatt kontrollknapp 5 mm)	555 mm	610 mm
Åpningshøyde (H)	824 mm	824 mm
Åpningsbredde (W)	528 mm	528 mm
Åpningsdybde (D)	558 mm	613 mm

3.2 Installere kondensvannutløp



MERK

- Det kan oppstå kondens inne i kjøleskapet på grunn av hyppig dør-åpning, feillagret mat eller mat som legges inn når den er for varm.
- Kondensen må tømmes med en konstant skråstilling.

Installer kondensutløpet som følger:

- Før kondensslangen fra kjøleskapet gjennom en åpning i gulvet og ut av kjøretøyet.

3.3 Koble til spenningsforsyningen



PASS PÅ!

- Den elektriske installasjonen og reparasjoner må bare utføres av en fagperson og iht. gjeldende nasjonale forskrifter og standarder.
- For å unngå spennings- og effekttap, bør kablen holdes så kort som mulig og uten avbrudd. Unngå derfor ekstra brytere, kontakter eller fordelerbokser.
- Kontroller om driftsspenningen og batterispenningen stemmer før tilkoblingen (se typeskilt).

- ▶ Påkrevet kabelverrsnitt i henhold til kabellengden finner du på fig. **4**, side 5.
- ▶ Koble kablene til AMP-kontakten på kjøleskapet (fig. **5**, side 6).
- ▶ Koble den andre enden av kablene til 12 V---strømforsyningen:



PASS PÅ!

- Husk riktig polaritet.
 - Utstyr plusskabelen (+) med en 10 A-sikring.
- Så direkte som mulig
 - rd (rød): med sikring (10 A) montert på plusspolen (+)
 - bk (sort): til minuspole (-)

3.4 Feste kjøleskap



ADVARSEL! Brannfare

- Ved posisjonering av apparatet må det sørges for at tilførselsledningen ikke sitter fast eller skades.
- Ikke plasser flere mobile strømkontakter eller mobile strømforsyninger bak på apparatet.



FORSIKTIG!

Skru alltid inn i gjengene som er tilrettelagt for dette, ellers kan innskummede komponenter som f.eks. ledninger komme til skade.

**MERK**

- Fest sideveggene eller de påførte listene på en slik måte at skruene også sitter godt, også ved høy belastning (under kjøring).
- Kjøleskapet er konstruert for å by på en regulert luftstrøm. Produsenten anbefaler ikke å la det være noen ekstra plass mellom kjøleskapet og utsparingsveggen.

- ▶ Sett kjøleskapet i sin endelige posisjon med frontflensen tett inntil fronten på åpningen.
- ▶ Skru skruene (fig. **6**, side 6) inn gjennom plastbøssingene i sideveggene på kjøleskapet og videre inn i veggen.
- ▶ Sett hettene på skruhodene.

Installere betjeningspanelet på RC10.4P.100

- ▶ Installer betjeningspanelet som vist (fig. **7**, side 7).


4 Tekniske spesifikasjoner


Den aktuelle EU-konformitetserklæringen for ditt apparat får du på den respektive produksiden på dometic.com eller direkte via produsenten (se dometic.com/dealer).


Apparatet er i samsvar med forskriften UN ECE R10.

Inneholder fluoriserte drivhusgasser

Hermetisk lukket innretning

	RC10.4(S)(T).70	RC10.4(S)(T).90	RC10.4P.100
Innhold			
Bruttoinnhold:	62 l	86 l	94 l
Kjølerom:	54,5 l	75,5 l	81 l
Fryserom:	7,5 l	7,5 l	9 l
Totalt nettoinnhold:	62 l	83 l	90 l
Unntatt fryserom			
Bruttoinnhold:	69 l	90 l	98 l
Nettoinnhold:	64 l	85 l	93 l
Tilkoblingsspenning:	12 V \equiv	12 V \equiv	12 V \equiv
Gjennomsnittlig strøminntak:	42 W	45 W	48 W
Energiforbruk	0,45 kWt/24 t	0,45 kWt/24 t	0,48 kWt/24 t
PERFORMANCE-modus:	37,5 Ah/24 h	37,5 Ah/24 h	38 Ah/24 h
Klimaklasse:	T	T	T
Kjølemiddel:	R134a/40 g	R134a/43 g	R134a/47 g
CO2-ekvivalent:	0,057 t	0,061 t	0,065 t
GWP-verdi:	1430	1430	1430
Støyemisjon (EN60704)			
PERFORMANCE-modus:	42 dB(A)	42 dB(A)	42 dB(A)
QUIET-modus:	39 dB(A)	39 dB(A)	39 dB(A)
Mål H x B x D (i mm):	821 x 420 x 450	975 x 420 x 485	902 x 420 x 655 (kompressorenhet bak) 902 x 590 x 485 (kompressorenhet på siden)
Vekt:	19,5 kg	21,4 kg	21 kg
Inspeksjon/sertifisering:			

	RCL 10.4(S)(T)	RCD 10.5(S)(T)	RCD 10.5X(S)(T)
Innhold			
Bruttoinnhold:	133 l	153 l	177 l
Kjølerom:	116 l	118 l	142 l
Fryserom:	12 l	29 l	35 l
Totalt nettoinnhold:	128 l	147 l	171 l
Unntatt fryserom			
Bruttoinnhold:	139 l	–	–
Nettoinnhold:	134 l	–	–
Tilkoblingsspenning:	12 V \equiv	12 V \equiv	12 V \equiv
Gjennomsnittlig strøminntak:	54 W	54 W	54 W
Energiforbruk PERFORMANCE-modus:	0,44 kWt/24 t 37 Ah/24 h	0,51 kWt/24 t 43 Ah/24 h	0,52 kWt/24 t 44 Ah/24 h
Klimaklasse:	ST	ST	ST
Kjølemiddel:	R134a / 40 g	R134a/44 g	R134a/44 g
CO2-ekvivalent:	0,057 t	0,057 t	0,057 t
GWP-verdi:	1430	1430	1430
Støyemisjon (EN60704) PERFORMANCE-modus: QUIET-modus:	42 dB(A) 39 dB(A)	42 dB(A) 39 dB(A)	42 dB(A) 39 dB(A)
Mål H x B x D (i mm):	1293 x 420 x 595	1282 x 523 x 565	1282 x 523 x 620
Vekt:	32 kg	36,5 kg	39,5 kg
Inspeksjon/sertifisering:			

	RCS 10.5(S)(T)	RCS10.5X(S)(T)
Innhold		
Bruttoinnhold:	78 l	92 l
Kjølerom:	69,1 l	80,3 l
Fryserom:	9,2 l	12,1 l
Totalt nettoinnhold:	78 l	92 l
Unntatt fryserom		
Bruttoinnhold:	83 l	98 l
Nettoinnhold:	83 l	98 l
Tilkoblingsspenning:	12 V	12 V
Gjennomsnittlig strøminntak:	5,9 A	5,5 A
Energiforbruk		
PERFORMANCE-modus:	1,46 Ah/t	1,48 Ah/t
Klimaklasse:	N, ST	N, ST
Kjølemiddel:	R600a / 24 g	R600a / 23 g
CO2-ekvivalent:	0,000072 t	0,000069 t
GWP-verdi:	3	3
Støyemisjon (EN60704)		
Med luftkanal:		
PERFORMANCE-modus:	44 dB(A)	44 dB(A)
QUIET-modus:	39 dB(A)	39 dB(A)
Uten luftkanal:		
PERFORMANCE-modus:	42 dB(A)	42 dB(A)
QUIET-modus:	38 dB(A)	38 dB(A)
Mål H x B x D (i mm):	821 x 523 x 555	821 x 523 x 610
Vekt:	24,5 kg	25 kg
Inspeksjon/sertifisering:		

Lue nämä ohjeet huolellisesti ja noudata kaikkia tämän tuotteen käyttöohjeissa annettuja ohjeita, määräyksiä ja varoituksia. Näin varmistat, että tuotteen asennus, käyttö ja huolto sujuu aina oikein. Näiden ohjeiden TÄYTYY jäädä tuotteen yhteyteen.

Käyttämällä tuotetta vahvistat lukeneesi kaikki ohjeet, määräykset ja varoitukset huolellisesti ja että ymmärrät ja hyväksyt tässä annetut ehdot. Sitoudut käyttämään tuotetta ainoastaan sen käyttötarkoitukseen ja ilmoitetuissa käyttökohteissa ja noudattaen tässä tuotteen käyttöohjeessa annettuja ohjeita, määräyksiä ja varoituksia sekä voimassa olevia lakeja ja määräyksiä. Tässä annettujen ohjeiden ja varoitusten lukematta ja noudattamatta jättäminen voi johtaa omaan tai muiden loukkaantumiseen, tuotteen vaurioitumiseen tai muiden, ympärillä olevien esineiden vaurioitumiseen. Tähän tuotteen käyttöohjeeseen, ohjeisiin, määräyksiin ja varoituksiin sekä oheisdokumentteihin voidaan tehdä muutoksia ja niitä voidaan päivittää. Katso ajantasaiset tuotetiedot osoitteesta www.dometic.com.

Sisällysluettelo

1	Symbolien selitykset	138
2	Turvallisuusohjeet	139
3	Jääkaapin asennus	143
4	Tekniset tiedot	147

1 Symbolien selitykset



VAROITUS!

Turvallisuusohje koskien vaaratilannetta, joka voi johtaa kuolemaan tai vakavaan vammaan, jos tilannetta ei vältetä.



HUOMIO!

Turvallisuusohje koskien vaaratilannetta, joka voi johtaa lievään tai kohtalaiseen vammaan, jos tilannetta ei vältetä.



HUOMAUTUS!

Ohje koskien tilannetta, joka voi johtaa esinevahinkoihin, jos sitä ei vältetä.



OHJE

Tuotteen käyttöä koskevia lisätietoja.

2 Turvallisuusohjeet

Valmistaja ei ota mitään vastuuta vahingoista seuraavissa tapauksissa:

- asennus- tai liitännävirheet
- laite on vaurioitunut mekaanisten tekijöiden vaikutuksesta ja väärän liitännäjännitteen vuoksi
- tuotteeseen ilman valmistajan nimenomaista lupaa tehdyt muutokset
- käyttö muuhun kuin käyttöohjeessa ilmoitettuun tarkoitukseen

2.1 Perusturvallisuus



VAROITUS! Näiden varoitusten noudattamatta jättäminen voi johtaa kuolemaan tai vakavaan vammaan.

Sähköiskusta johtuva hengenvaara

- Varmista, että laitteen asennuksen on suorittanut pätevä asentaja Dometic-asennusopasta vastaavalla tavalla.
- Laitetta ei saa ottaa käyttöön, jos laitteessa on näkyviä vaurioita.
- Jos tämän laitteen liitäntäjohto on vaurioitunut, valmistajan, asiakaspalvelun tai vastaavasti koulutetun ammattilaisen tulee vaihtaa se vaaratilanteiden välttämiseksi.
- Ainoastaan pätevät ammattilaiset saavat korjata tätä laitetta. Virheellisesti suoritetuista korjaustoista saattaa aiheutua huomattavia vaaroja.

Räjähdyksivaara

- Älä säilytä laitteessa mitään räjähdysalttiita aineita kuten esim. suihkepurkkeja, joissa on ponneainetta.

Terveysriski

- Tätä laitetta voivat käyttää valvonnan alaisuudessa myös vähintään 8-vuotiaat lapset samoin kuin henkilöt, joiden fyysiset, aistinvaraiset tai henkiset kyvyt ovat rajoittuneet tai joilta puuttuu laitteen käytön vaatima kokemus tai tietämys, mikäli edellä mainittuja henkilöitä on opastettu käyttämään laitetta turvallisesti ja mikäli henkilöt ymmärtävät laitteen käyttöön liittyvät riskit.
- Lapset eivät saa leikkiä laitteella.
- Lapset eivät saa ilman valvontaa puhdistaa laitetta eivätkä ryhtyä käyttäjälle sallittuihin kunnossapitotöihin.
- 3–8-vuotiaat lapset saavat sekä sijoittaa tuotteita kylmälaitteisiin että noutaa tuotteita niistä.

Vaara lapsille

- Varmista, että hyllyt on asennettu ja varmistettu niin, lapset eivät voi lukita itseään laitteen sisälle.
- Ennen kuin hävität vanhan jääkaapin:
 - Irrota laatikko.
 - Jätä hyllyt jääkaappiin, jotta lapset eivät voi kiivetä kaapin sisälle.

**HUOMIO! Näiden varoitusten noudattamatta jättäminen voi johtaa vähäiseen tai kohtalaiseen vammaan.****Puristumisvaara**

- Älä koske saranaan.

Terveysriski

- Elintarvikkeita saa säilyttää vain alkuperäispakkauksissa tai tarkoitukseen sopivissa astioissa.

**HUOMAUTUS! Vaurioitumisvaara**

- Vertaa tyyppikilven jännitetietoja käytettävissä olevaan energiansyöttöön.
- Jos ajoneuvossasi ei ole akun alijännitekatkaisinta, irrota laite tai kytke se pois päältä, kun sammutat moottorin. Muuten ajoneuvon akku voi purkautua.
- Laite ei sovellu syövyttävien tai liuottimia sisältävien aineiden varastointiin.
- Pidä virtausaukko aina puhtaana.
- Älä missään tapauksessa avaa jäähdytyskiertoa.
- Älä kuljeta laitetta vaakatasossa, jotta öljy ei pääse vuotamaan kompressorista ja siten vaurioittamaan jäähdytyskiertoa.
- Varmista, että jäähdytyskierto ei vahingoitu kuljetuksen aikana. Jäähdytyskierron sisältämä kylmäaine on helposti syttyvää. Jos jäähdytyskierrossa on mikä tahansa vaurio:
 - Ehkäise avotulen ja sytytyskipinöiden esiintyminen.
 - Tuuleta tila huolellisesti.
- Sijoita laite kuivaan ja roiskevedeltä suojattuun paikkaan.

2.2 Laitteen käyttöturvallisuus



VAARA! Näiden varoitusten noudattamatta jättäminen johtaa kuolemaan tai vakavaan vammaan.

Sähköiskusta johtuva hengenvaara

- Älä kosketa avojohtimia koskaan paljain käsin.



HUOMIO! Näiden varoitusten noudattamatta jättäminen voi johtaa vähäiseen tai kohtalaiseen vammaan.

Sähköiskun vaara

- Huolehdi ennen laitteen käyttöönottoa siitä, että johto ja pistoke ovat kuivia.

Terveysriski

- Varmista, että panet laitteeseen vain esineitä tai tuotteita, joita saa säilyttää valitussa lämpötilassa.
- Elintarvikkeita saa säilyttää vain alkuperäispakkauksissa tai tarkoitukseen sopivissa astioissa.
- Oven avaaminen pitkiksi ajoiksi voi merkittävästi nostaa lämpötilaa laitteen lokeroissa.
- Puhdista säännöllisesti pinnat, jotka voivat joutua kosketuksiin elintarvikkeiden ja suojaamattomien viemärijärjestelmän osien kanssa.
- Säilytä raaka liha ja kala laitteessa sopivissa säilytysastioissa, niin että ne eivät ole kosketuksissa muiden elintarvikkeiden kanssa eikä niistä voi tippua mitään muihin elintarvikkeisiin.
- Jos laite jätetään tyhjäksi pitkäksi ajaksi:
 - Kytke laite pois päältä.
 - Sulata laite.
 - Puhdista ja kuivaa laite.
 - Jätä ovi auki, jotta laitteen sisälle ei pääse muodostumaan hometta.
- Jos huoneenlämpötila jääkaapin ympärillä on pitkään alle +10 °C, pakastelokeron lämpötila ei mahdollisesti pysy tasaisena. Tämä voi johtaa pakastelokeron lämpötilan kohoamiseen ja säilytettävien tuotteiden sulamiseen.

Loukkaantumiswaara

- Laitteen ovi tai pakastimen ovi saattaa väärin käytettynä irrota kokonaan laitteesta. Paina ovet kiinni niin, että naksahdusääni on selvästi kuultavissa ylhäältä ja alhaalta.
- Älä nojaa laitteen avointa ovea vasten.

**HUOMAUTUS! Vaurioitumisvaara**

- Jos ovea ei ole lukittu oikein vastakkaiselta puolelta, työnnä ovea varovasti kyseisen puolen ylä- ja alaosaan, kunnes ovi lukittuu paikalleen.
- Sijoita painavat esineet kuten pullot ja tölkit vain laitteen oveen, vihaneskaualoon tai alimmalle hyllyritilälle.
- Älä käytä kylmälaitteen sisällä sähkölaitteita, ellei valmistaja suosittele näitä laitteita tähän tarkoitukseen.
- Älä aseta laitetta allttiiksi avotulelle tai muille lämpölähteille (lämmittimet, suora auringonpaiste, kaasuuunit jne.).
- Varmista, että tuuletusaukkoja ei ole peitetty.
- Älä laita sisäastiaan minkäänlaisia nesteitä tai jäätä.
- Älä koskaan upota laitetta veteen.
- Suojaa laite ja kaapelit kuumuudelta ja kosteudelta.
- Huolehdi siitä, etteivät elintarvikkeet koske jääkaappiosaston seinää.

**OHJE**

- Kysy ajoneuvosi valmistajalta, kytkekö ajoneuvosi akkuohjauslaitteet pois päältä akun suojaamiseksi.
- Aseta laitteen ovi ja pakastelokeron ovi talviasentoon, jos tarkoituksena ei ole käyttää laitetta pitkään aikaan. Näin vältetään homeen muodostuminen.
- Valitse keskimääräinen lämpötila-asetus, mikäli ympäristön lämpötila on +15 °C ... +25 °C.

3 Jääkaapin asennus



HUOMIO! Terveysriski

Jotta laitteen epävakaus ei aiheuttaisi vaaraa, se on kiinnitettävä ohjeiden mukaisesti.



Oven kätisyyden ja koristelevyn vaihtamista koskevat ohjeet ovat saatavissa verkko-osoitteesta:

documents.dometic.com/?object_id=63258

Laite soveltuu asennettavaksi:

- asuntovaunuihin
- matkailuautoihin

3.1 Asennuksen valmistelu



HUOMIO! Loukkaantumisvaara

Laitteessa on teräviä reunoja, joten asennuksen aikana tulisi käyttää käsineitä.



HUOMAUTUS! Vahingonvaara

- Jääkaappia ei saa asentaa asuntovaunun takaosaan ovi ajosuuntaan päin.
- Anna laitteen olla pystyasennossa vähintään 3 tuntia ennen kuin käynnistät sen ensimmäisen kerran.



OHJE

- Matkailuautoissa tason alle tuleva yksikkö voidaan asentaa niin, että ovi osoittaa kulkusuuntaan, kun se asennetaan liukuoven viereen ja apuhjaajan istuimen taakse.
- Jos kompressorijääkaappi korvaa absorptioyksikön, sinun on varmistettava, että ulkoiset tuuletusritilät ovat täysin kiinni. Muuten olemassa on riski, että kompressorin ei käy matalissa ulkolämpötiloissa (~alle 0 °C).

Noudata jääkaappia asentaessasi seuraavia ohjeita:

- Varmista, että lattia on luja ja suorassa.
Pysäköi ajoneuvo tätä varten vaakasuoraan.
- Jääkaappi on asennettava siten, että
 - laite on helposti saavutettavissa huoltotöitä varten
 - laite on helppo irrottaa ja asentaa paikalleen
 - laite on helppo poistaa ajoneuvosta
- Jääkaappi täytyy asentaa syvennykseen, jotta se pysyy tukevasti paikallaan ajoneuvon liikkeessä. Huomaa tämän osalta kohdissa kuva **1**, sivulla 3 ja kuva **2**, sivulla 4 esitetyt mitat.
- Huomaa myös seuraava syvennyksen mitta (kuva **3**, sivulla 5):

	RC10.4(S)(T).70	RC10.4(S)(T).90	RC10.4P.100
Jääkaapin korkeus (A)	821 mm	975 mm	900 mm
Jääkaapin leveys (B)	420 mm	420 mm	420 mm (takakompressori) 590 mm (sivukompressori)
Jääkaapin syvyys (C) (poislukien ohjausnuppi 5 mm)	450 mm	485 mm	655 mm (takakompressori) 485 mm (sivukompressori)
Syvennyksen korkeus (H)	823 mm	977 mm	902 mm
Syvennyksen leveys (W)	425 mm	425 mm	425 mm (takakompressori) 595 mm (sivukompressori)
Syvennyksen syvyys (D)	452 mm	487 mm	657 mm (takakompressori) 487 mm (sivukompressori)

	RCL10.4(S)(T)	RCD10.5(S)(T)	RCD10.5X(S)(T)
Jääkaapin korkeus (A)	1293 mm	1282 mm	1282 mm
Jääkaapin leveys (B)	420 mm	523 mm	523 mm
Jääkaapin syvyys (C) (poislukien ohjausnuppi 5 mm)	595 mm	565 mm	620 mm
Syvennyksen korkeus (H)	1296 mm	1285 mm	1285 mm
Syvennyksen leveys (W)	425 mm	528 mm	528 mm
Syvennyksen syvyys (D)	598 mm	568 mm	623 mm

	RCS10.5(S)(T)	RCS10.5X(S)(T)
Jääkaapin korkeus (A)	821 mm	821 mm
Jääkaapin leveys (B)	523 mm	523 mm
Jääkaapin syvyys (C) (poislukien ohjausnuppi 5 mm)	555 mm	610 mm
Syvennyksen korkeus (H)	824 mm	824 mm
Syvennyksen leveys (W)	528 mm	528 mm
Syvennyksen syvyys (D)	558 mm	613 mm

3.2 Kondenssiveden poistoletkun asentaminen



OHJE

- Kondenssivettä voi muodostua jääkaapin sisälle, jos jääkaapin ovi avataan usein tai jos elintarvikkeet sijoitetaan väärin tai liian lämpiminä jääkaappiin.
- Kondenssiveden poistoletku on asennettava siten, että letku kulkee jatkuvasti laskusuunnassa.

Asenna kondenssiveden poistoletku seuraavasti:

- Vedä kondenssiveden poistoletku jääkaapista lattia-aukon läpi ulos.

3.3 Jännitteensyötön liittäminen



HUOMAUTUS!

- Sähköasennuksen ja korjaustyöt saa tehdä ainoastaan ammattilainen, ja voimassa olevia kansallisia määräyksiä ja normeja on noudatettava.
- Jännite- ja siten tehohäviöiden välttämiseksi liittäntajohdon pitäisi olla mahdollisimman lyhyt, ja jos mahdollista, siihen ei saa muodostaa katkoja. Vältä siis lisäkytkimiä, pistokkeita tai jakorasioita.
- Tarkasta ennen liittämistä, vastaavatko käyttöjännite ja akkujännite toisiaan (ks. tyyppikilpi).

- Määritä tarvittavan kaapelipituuden vaatima kaapelin vähimmäispoikkipinta-ala kohdan kuva **4**, sivulla 5 perusteella.
- Yhdistä johdot jääkaapin AMP-liittimeen (kuva **5**, sivulla 6).
- Yhdistä johtojen toiset päät 12 V=== -tehonsyöttöön:



HUOMAUTUS!

- Noudata tällöin oikeaa napaisuutta.
- Varusta plusjohto (+) 10 A:n sulakkeella.

- mahdollisimman suoraan
- rd (punainen): sulakesuojauksella (10 A) liitettynä positiiviseen (+) napaan
- bk (musta): negatiiviseen (-) napaan

3.4 Jääkaapin kiinnittäminen



VAROITUS! Palovaara

- Varmista, että virtajohto ei juutu kiinni eikä vaurioidu sijoittaessasi laitetta paikalleen.
- Älä sijoita siirrettäviä pistorasialistoja tai siirrettäviä virtalähteitä laitteen taakse.



HUOMIO!

Kierrä ruuvit aina tarkoitusta varattujen holkkien läpi. Muutoin vaahdon ympäröivät rakenneosat kuten johdot voivat vaurioitua.

**OHJE**

- Kiinnitä sivuseinät tai paikoilleen asetetut listat siten, että ruuvit pysyvät tiukalla kovassakin kuormituksessa (ajon aikana).
- Jääkaappi on suunniteltu siten, että se tuottaa säädellyn ilmavirtauksen. Valmistaja ei suosittele jättämään ylimääräistä tilaa jääkaapin ja syvennyksen seinien väliin.

- ▶ Siirrä jääkaappi lopulliseen paikkaansa niin, että etulaippa istuu tiiviisti syvennyksen etureunaa vasten.
- ▶ Kierrä ruuvit (kuva **6**, sivulla 6) jääkaapin sivuilla olevien muoviholkkien läpi ja edelleen seinään.
- ▶ Asenna peitekannet ruuvien kantoihin.

RC10.4P.100:n käyttöpaneelin asentaminen

- ▶ Asenna käyttöpaneeli esitetyllä tavalla (kuva **7**, sivulla 7).


4 Tekniset tiedot


Laitteesi voimassa olevan EU-vaatimustenmukaisuusvakuutuksen saat kyseisen tuotteen sivulta osoitteesta dometic.com tai suoraan valmistajalta (ks. dometic.com/dealer).


Laite vastaa UN ECE -säädestä R10.

Sisältää fluorattuja kasvihuonekaasuja

Ilmatiiviisti suljetulla laitteella

	RC10.4(S)(T).70	RC10.4(S)(T).90	RC10.4P.100
Tilavuus			
Bruttotilavuus:	62 l	86 l	94 l
Kylmälokero:	54,5 l	75,5 l	81 l
Pakastelokero:	7,5 l	7,5 l	9 l
Nettotilavuus yhteensä:	62 l	83 l	90 l
Ilman pakastelokeroa			
Bruttotilavuus:	69 l	90 l	98 l
Nettotilavuus:	64 l	85 l	93 l
Liitäntäjännite:	12 V \equiv	12 V \equiv	12 V \equiv
Keskimääräinen tuloteho:	42 W	45 W	48 W
Energiankulutus	0,45 kWh/24 h	0,45 kWh/24 h	0,48 kWh/24 h
PERFORMANCE-tila:	37,5 Ah/24 h	37,5 Ah/24 h	38 Ah/24 h
Ilmastoluokka:	T	T	T
Kylmäaine:	R134a/40 g	R134a/43 g	R134a/47 g
CO2-ekvivalentti:	0,057 t	0,061 t	0,065 t
Vaikutus ilmastoon lämpenemiseen (GWP):	1430	1430	1430
Melupäästöt (EN60704)			
PERFORMANCE-tila:	42 dB(A)	42 dB(A)	42 dB(A)
QUIET-tila:	39 dB(A)	39 dB(A)	39 dB(A)
Mitat K x L x S (milleinä):	821 x 420 x 450	975 x 420 x 485	902 x 420 x 655 (takakompressori) 902 x 590 x 485 (sivukompressori)
Paino:	19,5 kg	21,4 kg	21 kg
Tarkastus/sertifikaatti:			

	RCL 10.4(S)(T)	RCD 10.5(S)(T)	RCD 10.5X(S)(T)
Tilavuus			
Bruttotilavuus:	133 l	153 l	177 l
Kylmälokero:	116 l	118 l	142 l
Pakastelokero:	12 l	29 l	35 l
Nettotilavuus yhteensä:	128 l	147 l	171 l
Ilman pakastelokeroa			
Bruttotilavuus:	139 l	–	–
Nettotilavuus:	134 l	–	–
Liitäntäjännite:	12 V \equiv	12 V \equiv	12 V \equiv
Keskimääräinen tuloteho:	54 W	54 W	54 W
Energiankulutus	0,44 kWh/24 h	0,51 kWh/24 h	0,52 kWh/24 h
PERFORMANCE-tila:	37 Ah/24 h	43 Ah/24 h	44 Ah/24 h
Ilmastoluokka:	ST	ST	ST
Kylmäaine:	R134a / 40 g	R134a/44 g	R134a/44 g
CO ₂ -ekvivalentti:	0,057 t	0,057 t	0,057 t
Vaikutus ilmastoon lämpenemiseen (GWP):	1430	1430	1430
Melupäästöt (EN60704)			
PERFORMANCE-tila:	42 dB(A)	42 dB(A)	42 dB(A)
QUIET-tila:	39 dB(A)	39 dB(A)	39 dB(A)
Mitat K x L x S (milleinä):	1293 x 420 x 595	1282 x 523 x 565	1282 x 523 x 620
Paino:	32 kg	36,5 kg	39,5 kg
Tarkastus/sertifikaatti:			

	RCS 10.5(S)(T)	RCS10.5X(S)(T)
Tilavuus		
Bruttotilavuus:	78 l	92 l
Kylmälokero:	69,1 l	80,3 l
Pakastelokero:	9,2 l	12,1 l
Nettotilavuus yhteensä:	78 l	92 l
Ilman pakastelokeroa		
Bruttotilavuus:	83 l	98 l
Nettotilavuus:	83 l	98 l
Liitäntäjännite:	12 V	12 V
Keskimääräinen tuloteho:	5,9 A	5,5 A
Energiankulutus		
PERFORMANCE-tila:	1,46 Ah/h	1,48 Ah/h
Ilmastoluokka:	N, ST	N, ST
Kylmäaine:	R600a / 24 g	R600a / 23 g
CO ₂ -ekvivalentti:	0,000072 t	0,000069 t
Vaikutus ilmaston lämpenemiseen (GWP):	3	3
Melupäästöt (EN60704)		
Ilmakanavalla varustettuna:		
PERFORMANCE-tila:	44 dB(A)	44 dB(A)
QUIET-tila:	39 dB(A)	39 dB(A)
Ilman ilmakanavaa:		
PERFORMANCE-tila:	42 dB(A)	42 dB(A)
QUIET-tila:	38 dB(A)	38 dB(A)
Mitat K x L x S (milleinä):	821 x 523 x 555	821 x 523 x 610
Paino:	24,5 kg	25 kg
Tarkastus/sertifikaatti:		

Пожалуйста, внимательно прочтите и соблюдайте все указания, рекомендации и предупреждения, содержащиеся в этом руководстве по использованию изделия, чтобы гарантировать правильную установку, использование и обслуживание изделия. Эта инструкция ДОЛЖНА оставаться вместе с этим изделием.

Используя изделие, вы тем самым подтверждаете, что внимательно прочитали все указания, рекомендации и предупреждения, а также, что вы понимаете и соглашаетесь соблюдать положения и условия, изложенные в настоящем документе. Вы соглашаетесь использовать это изделие только по прямому назначению и в соответствии с указаниями, рекомендациями и предупреждениями, изложенными в данном руководстве по использованию изделия, а также в соответствии со всеми применимыми законами и правилами. Несоблюдение указаний и предупреждений, изложенных в данном документе может привести к травмам вас и других лиц, повреждению вашего изделия или повреждению другого имущества, находящегося поблизости. Данное руководство по использованию изделия, включая указания, рекомендации и предупреждения, а также сопутствующую документацию, может подвергаться изменениям и обновлениям. Актуальную информацию о продукте можно найти на сайте www.domestic.com.

Оглавление

1	Пояснение к символам	151
2	Указания по технике безопасности	152
3	Монтаж холодильника	156
4	Технические характеристики	161

1 Пояснение к символам



ПРЕДУПРЕЖДЕНИЕ!

Указание по технике безопасности, указывающее на опасную ситуацию, которая может привести к смерти или серьезной травме, если ее не предотвратить.



ОСТОРОЖНО!

Указание по технике безопасности, указывающее на опасную ситуацию, которая может привести к травмам легкой или средней тяжести, если ее не предотвратить.



ВНИМАНИЕ!

Указание на ситуацию, которая может привести к материальному ущербу, если ее не предотвратить.



УКАЗАНИЕ

Дополнительная информация по управлению продуктом.

2 Указания по технике безопасности

Изготовитель не несет никакой ответственности за ущерб в следующих случаях:

- Ошибки монтажа или подключения
- Повреждения продукта из-за механических воздействий и неверного напряжения питания
- Изменения в продукте, выполненные без однозначного разрешения изготовителя
- Использование в целях, отличных от указанных в данной инструкции

2.1 Основные указания по технике безопасности



ПРЕДУПРЕЖДЕНИЕ! Несоблюдение этих предупреждений может привести к смерти или серьезной травме.

Опасность для жизни из-за поражения электрическим током

- Убедитесь, что устройство было установлено квалифицированным специалистом в соответствии с руководством по монтажу Dometic.
- Запрещается эксплуатировать устройство, если оно имеет видимые повреждения.
- Во избежание опасных ситуаций в случае повреждения питающего кабеля необходимо заменить устройство, обратившись к изготовителю, в сервисный центр или к специалисту с аналогичной квалификацией.
- Ремонт данного устройства разрешается выполнять только квалифицированному персоналу. Если ремонт выполнен неправильно, эксплуатация устройства может представлять опасность.

Опасность взрыва

- Не храните в устройстве взрывоопасные вещества, например, аэрозольные баллоны с горючим газами-вытеснителями.

Опасность для здоровья

- Это устройство может использоваться детьми с 8-ми лет и старше, а также лицами с ограниченными физическими, сенсорными и умственными возможностями или при недостатке необходимого опыта и знаний только под присмотром или после прохождения инструктажа по безопасному использованию устройства, если они понимают опасности, которые при этом могут возникнуть.
- Детям запрещается играть с устройством.

- Запрещается выполнять очистку и пользовательское техническое обслуживание детям без присмотра.
- Детям в возрасте от 3 до 8 лет разрешается загружать и разгружать холодильные устройства.

Ловушка для детей

- Убедитесь, что полки в устройстве установлены и зафиксированы, чтобы дети не могли в нем запереться.
- Перед утилизацией старого холодильника:
 - Демонтируйте ящики.
 - Оставьте полки в холодильнике, чтобы в него не могли войти дети.



ОСТОРОЖНО! Несоблюдение этих предостережений может привести к травме легкой или средней степени тяжести.

Опасность сдавливания

- Не беритесь за петлю.

Опасность для здоровья

- Продукты питания разрешается хранить только в оригинальной упаковке или подходящих емкостях.



ВНИМАНИЕ! Опасность повреждения

- Убедитесь, что значения напряжения, указанные на заводской табличке, соответствуют характеристикам имеющегося источника питания.
- Если в вашем автомобиле нет отключения по минимальному напряжению аккумулятора, отсоедините устройство или выключите его при выключении двигателя. В противном случае аккумуляторная батарея автомобиля может разрядиться.
- Устройство не предназначено для хранения едких или содержащих растворители веществ.
- Всегда содержите в чистоте сливное отверстие.
- Категорически запрещается вскрывать холодильный контур.
- Не транспортируйте устройство в горизонтальном положении, чтобы масло не могло вытечь из компрессора и повредить контур хладагента.

- При транспортировке следите за тем, чтобы не повредить контур хладагента. Хладагент в холодильном контуре легко воспламеняется.
В случае повреждения контура хладагента:
 - Избегайте открытого огня и искр.
 - Хорошо проветрите помещение.
- Установите устройство в сухом, защищенном от брызг месте.

2.2 Техника безопасности при работе устройства



ОПАСНОСТЬ! Несоблюдение этих предупреждений ведет к смерти или серьезной травме.

Опасность для жизни из-за поражения электрическим током

- Не беритесь голыми руками за оголенные провода.



ОСТОРОЖНО! Несоблюдение этих предостережений может привести к травме легкой или средней степени тяжести.

Опасность поражения электрическим током

- Перед включением убедитесь, что питающий кабель и штекер сухие.

Опасность для здоровья

- Следите за тем, чтобы в устройстве находились только предметы и продукты, которые разрешается охлаждать до выбранной температуры.
- Продукты питания разрешается хранить только в оригинальной упаковке или в подходящих емкостях.
- Удерживание двери холодильника открытой в течение длительного времени может привести к существенному повышению температуры внутри устройства.
- Регулярно очищайте поверхности, которые могут контактировать с пищевыми продуктами и доступными сливными системами.
- Храните сырые мясо и рыбу в устройстве в подходящих контейнерах, чтобы изолировать их от других продуктов питания.
- Если устройство остается пустым в течение длительного времени:
 - Выключите устройство.
 - Разморозьте устройство.
 - Очистите и высушите устройство.
 - Оставьте дверь открытой, чтобы предотвратить образование плесени внутри устройства.

- Одинаковая температура в морозильной камере не гарантируется, если в течение длительного времени наружная температура составляет менее +10 °С. В этом случае возможно повышение температуры в морозильной камере и размораживание продуктов.

Опасность травмирования

- При неправильном использовании дверца устройства или дверца морозильника может полностью отсоединиться от устройства. Нажмите на дверцы до щелчка в верхней и нижней части.
- Не облокачивайтесь на открытую дверцу устройства.



ВНИМАНИЕ! Опасность повреждения

- Если дверца не заблокирована надлежащим образом на противоположной стороне, переместите ее вверх-вниз, пока она не зафиксируется.
- Ставьте тяжелые предметы, такие как бутылки или банки, на полки в двери устройства, в секцию для овощей или на нижнюю полку.
- Не используйте электрические приборы внутри холодильника, за исключением случаев, когда эти приборы рекомендованы для этого изготовителем.
- Не устанавливайте устройство вблизи открытого огня или других источников тепла (радиаторов отопления, сильных солнечных лучей, газовых печей и т. п.).
- Убедитесь в том, что вентиляционные отверстия не перекрыты.
- Запрещается заполнять внутреннее пространство жидкостями или льдом.
- Не погружайте устройство в воду.
- Не подвергайте устройство и кабели воздействию высоких температур и влаги.
- Следите за тем, чтобы продукты питания не касались внутренних стенок холодильника.



УКАЗАНИЕ

- Выясните у производителя вашего автомобиля, отключает ли система управления аккумулятором вашего автомобиля устройства для защиты аккумулятора.
- Если вы предполагаете не использовать устройство длительное время, приведите дверцу устройства и дверцу морозильной камер в зимнее положение. Это позволит исключить образование плесени.

- Если температура окружающей среды составляет от +15 °C до +25 °C, выберите среднюю настройку температуры.

3 Монтаж холодильника



ОСТОРОЖНО! Опасность для здоровья

Во избежание опасности из-за неустойчивости устройства оно должно быть закреплено в соответствии с инструкциями.



Инструкции по установке фиксатора двери и декоративной панели н дверь можно найти по адресу:

documents.dometic.com/?object_id=63258

Устройство подходит для установки в

- автофургонах
- жилых прицепах

3.1 Подготовка к монтажу



ОСТОРОЖНО! Опасность получения травм

Устройство имеет острые края, поэтому во время монтажа следует использовать перчатки.



ВНИМАНИЕ! Риск повреждения

- Запрещается устанавливать холодильник с дверцей, обращенной в направлении движения, в задней части жилого автофургона.
- Оставьте устройство в вертикальном положении не менее чем на 3 часа перед первым запуском.



УКАЗАНИЕ

- В автофургонах встраиваемый узел может быть установлен с дверью, направленной в направлении движения, при условии, что он устанавливается рядом с раздвижной дверью и за сиденьем второго водителя.
- Если компрессорный холодильник заменяет абсорбционный агрегат, вы должны убедиться в том, что внешние вентиляционные решетки полностью закрыты, в противном случае существует опасность того, что компрессор не будет работать при низкой температуре окружающей среды (~ ниже 0 °C).

При монтаже холодильника соблюдайте следующие требования:

- Убедитесь в прочности и ровности пола.
Для этой цели установите автомобиль на горизонтальной поверхности.
- Холодильник должен быть установлен так,
 - чтобы имелся доступ для проведения сервисных работ,
 - чтобы его можно было снять и установить,
 - его можно было вынести из транспортного средства.
- Холодильник следует установить в нише для того, чтобы он стоял неподвижно при движении автомобиля. Для этой цели соблюдайте размеры, приведенные на рис. **1**, стр. 3 и рис. **2**, стр. 4.
- Также учитывайте следующий размер проема (рис. **3**, стр. 5):

	RC10.4(S)(T).70	RC10.4(S)(T).90	RC10.4P.100
Высота холодильника (A)	821 мм	975 мм	900 мм
Ширина холодильника (B)	420 мм	420 мм	420 мм (компрессор расположен сзади) 590 мм (компрессор расположен сбоку)
Глубина холодильника (C) (исключая ручку управления 5 мм)	450 мм	485 мм	655 мм (компрессор расположен сзади) 485 мм (компрессор расположен сбоку)
Высота проема (H)	823 мм	977 мм	902 мм
Ширина проема (W)	425 мм	425 мм	425 мм (компрессор расположен сзади) 595 мм (компрессор расположен сбоку)
Глубина проема (D)	452 мм	487 мм	657 мм (компрессор расположен сзади) 487 мм (компрессор расположен сбоку)

	RCL 10.4(S)(T)	RCD 10.5(S)(T)	RCD 10.5X(S)(T)
Высота холодильника (A)	1293 мм	1282 мм	1282 мм
Ширина холодильника (B)	420 мм	523 мм	523 мм
Глубина холодильника (C) (исключая ручку управления 5 мм)	595 мм	565 мм	620 мм
Высота проема (H)	1296 мм	1285 мм	1285 мм
Ширина проема (W)	425 мм	528 мм	528 мм
Глубина проема (D)	598 мм	568 мм	623 мм

	RCS 10.5(S)(T)	RCS 10.5X(S)(T)
Высота холодильника (A)	821 мм	821 мм
Ширина холодильника (B)	523 мм	523 мм
Глубина холодильника (C) (исключая ручку управления 5 мм)	555 мм	610 мм
Высота проема (H)	824 мм	824 мм
Ширина проема (W)	528 мм	528 мм
Глубина проема (D)	558 мм	613 мм

3.2 Монтаж линии слива конденсата



УКАЗАНИЕ

- Конденсат может образовываться внутри холодильника из-за частого открывания дверцы, неправильного хранения продуктов или наличия внутри холодильника теплых продуктов.
- Для слива конденсата необходимо обеспечить постоянный уклон.

Установите линию слива конденсата следующим образом:

- ▶ Выведите шланг для слива конденсата из холодильника, через отверстие в полу, которое выходит наружу.

3.3 Подключение электропитания



ВНИМАНИЕ!

- Подключение к системам электроснабжения, а также ремонтные работы должны выполняться специалистом с соблюдением действующих в стране применения норм и правил.
- Во избежание потерь напряжения и мощности рекомендуется использовать кабель минимальной длины и не рекомендуется использовать дополнительные выключатели, штекеры или распределительные коробки.
- Перед присоединением убедитесь в том, что рабочее напряжение соответствует напряжению батареи (см. заводскую табличку).

- ▶ Определите необходимое поперечное сечение кабеля в зависимости от его длины по рис. **4**, стр. 5.
- ▶ Присоедините кабели к разъему АМР холодильника (рис. **5**, стр. 6).
- ▶ Присоедините другие концы кабелей к источнику напряжения 12 В==:



ВНИМАНИЕ!

- Проверьте полярность.
 - Оснастите положительный (+) кабель предохранителем на 10 А.
- По возможности, прямо
 - rd (красный): оснащенный предохранителем (10 А) к положительному (+) полюсу
 - bk (черный): к отрицательному (-) полюсу

3.4 Крепление холодильника

**ПРЕДУПРЕЖДЕНИЕ! Опасность возникновения пожара**

- При установке устройства шнур питания не должен быть зажат или поврежден.
- Не располагайте позади устройства выносные переходники и удлинители с несколькими розетками.

**ОСТОРОЖНО!**

Чтобы не повредить элементы, покрытые пеной (например, кабели или трубы), используйте только прилагаемые винты и втулки.

**УКАЗАНИЕ**

- Закрепите боковые стенки или планки так, чтобы резьбовые соединения не ослабли при повышенных нагрузках (например, во время движения транспортного средства).
- Холодильник разработан для обеспечения регулируемого воздушного потока. Изготовитель не рекомендует оставлять дополнительное пространство между холодильником и стенками.

- Переместите холодильник в его окончательное положение так, чтобы передний фланец плотно прилегал к проему спереди.
- Ввинтите винты (рис. **6**, стр. 6) в боковые стенки, а потом в стенки ниши холодильника через пластиковые втулки.
- Закройте головки винтов заглушками.

Установка панели управления холодильника RC 10.4P.100

- Установите панель управления, как показано на рисунке (рис. **7**, стр. 7).


4 Технические характеристики


Копию действующей декларации соответствия стандартам ЕС на устройство можно получить на странице соответствующего изделия на сайте dometic.com или у производителя (см. dometic.com/dealer).


Это устройство соответствует Правилам ЕЭК ООН R10.

Содержит фторированные парниковые газы

Герметически закрытая конструкция

	RC10.4(S)(T).70	RC10.4(S)(T).90	RC10.4P.100
Объем			
Полный объем:	62 л	86 л	94 л
Холодильная камера:	54,5 л	75,5 л	81 л
Морозильная камера:	7,5 л	7,5 л	9 л
Общий полезный объем:	62 л	83 л	90 л
Без морозильной камеры			
Полный объем:	69 л	90 л	98 л
Полезный объем:	64 л	85 л	93 л
Подводимое напряжение:	12 В \equiv	12 В \equiv	12 В \equiv
Средняя потребляемая мощность:	42 Вт	45 Вт	48 Вт
Потребление энергии	0,45 кВтч/24 ч	0,45 кВтч/24 ч	0,48 кВтч/24 ч
Режим PERFORMANCE:	37,5 А*ч/24 ч	37,5 А*ч/24 ч	38 А*ч/24 ч
Климатический класс:	T	T	T
Хладагент:	R134a/40 г	R134a/43 г	R134a/47 г
Эквивалент CO ₂ :	0,057 т	0,061 т	0,065 т
Потенциал глобального потепления (GWP):	1430	1430	1430
Уровень шума (EN60704)			
Режим PERFORMANCE:	42 дБ (A)	42 дБ (A)	42 дБ (A)
Режим QUIET:	39 дБ (A)	39 дБ (A)	39 дБ (A)
Размеры В x Ш x Г (в мм):	821 x 420 x 450	975 x 420 x 485	902 x 420 x 655 (компрессор расположен сзади) 902 x 590 x 485 (компрессор расположен сбоку)
Вес:	19,5 кг	21,4 кг	21 кг
Испытания/сертификат:			

	RCL 10.4(S)(T)	RCD 10.5(S)(T)	RCD 10.5X(S)(T)
Объем			
Полный объем:	133 л	153 л	177 л
Холодильная камера:	116 л	118 л	142 л
Морозильная камера:	12 л	29 л	35 л
Общий полезный объем:	128 л	147 л	171 л
Без морозильной камеры			
Полный объем:	139 л	–	–
Полезный объем:	134 л	–	–
Подводимое напряжение:	12 В \equiv	12 В \equiv	12 В \equiv
Средняя потребляемая мощность:	54 Вт	54 Вт	54 Вт
Потребление энергии	0,44 кВтч/24 ч	0,51 кВтч/24 ч	0,52 кВтч/24 ч
Режим PERFORMANCE:	37 А*ч/24 ч	43 А*ч/24 ч	44 А*ч/24 ч
Климатический класс:	ST	ST	ST
Хладагент:	R134a / 40 г	R134a/44 г	R134a/44 г
Эквивалент CO ₂ :	0,057 т	0,057 т	0,057 т
Потенциал глобального потепления (GWP):	1430	1430	1430
Уровень шума (EN60704)			
Режим PERFORMANCE:	42 дБ (А)	42 дБ (А)	42 дБ (А)
Режим QUIET:	39 дБ (А)	39 дБ (А)	39 дБ (А)
Размеры В x Ш x Г (в мм):	1293 x 420 x 595	1282 x 523 x 565	1282 x 523 x 620
Вес:	32 кг	36,5 кг	39,5 кг
Испытания/сертификат:			

	RCS 10.5(S)(T)	RCS10.5X(S)(T)
Объем		
Полный объем:	78 л	92 л
Холодильная камера:	69,1 л	80,3 л
Морозильная камера:	9,2 л	12,1 л
Общий полезный объем:	78 л	92 л
Без морозильной камеры		
Полный объем:	83 л	98 л
Полезный объем:	83 л	98 л
Подводимое напряжение:	12 В	12 В
Средняя потребляемая мощность:	5,9 А	5,5 А
Потребление энергии		
Режим PERFORMANCE:	1,46 А*ч/ч	1,48 А*ч/ч
Климатический класс:	N, ST	N, ST
Хладагент:	R600a / 24 г	R600a / 23 г
Эквивалент CO ₂ :	0,000072 т	0,000069 т
Потенциал глобального потепления (GWP):	3	3
Уровень шума (EN60704)		
С воздухопроводом:		
Режим PERFORMANCE:	44 дБ(А)	44 дБ(А)
Режим QUIET:	39 дБ(А)	39 дБ(А)
Без воздуховода:		
Режим PERFORMANCE:	42 дБ(А)	42 дБ(А)
Режим QUIET:	38 дБ(А)	38 дБ(А)
Размеры В x Ш x Г (в мм):	821 x 523 x 555	821 x 523 x 610
Вес:	24,5 кг	25 кг
Испытания/сертификат:		

Prosimy o uważne przeczytanie niniejszej instrukcji i przestrzeganie wszystkich instrukcji, wskazówek i ostrzeżeń zawartych w niniejszej instrukcji produktu. Pozwoli to przez cały czas zapewnić prawidłową instalację, zastosowanie oraz konserwację produktu. Niniejsza instrukcja MUSI przez cały czas pozostawać przy produkcie.

Korzystając z produktu, użytkownik potwierdza uważne przeczytanie wszelkich instrukcji, wskazówek i ostrzeżeń, ich zrozumienie oraz zobowiązuje się przestrzegać zawartych w nich warunków. Użytkownik zobowiązuje się wykorzystywać niniejszy produkt wyłącznie zgodnie z jego przeznaczeniem i zamierzonym zastosowaniem oraz z instrukcjami, wskazówkami i ostrzeżeniami wyszczególnionymi w niniejszej instrukcji produktu, jak również ze wszystkimi mającymi zastosowanie przepisami i regulacjami prawnymi. Nieprzestrzeganie zawartych tu instrukcji i ostrzeżeń może skutkować obrażeniami u użytkownika oraz osób trzecich, uszkodzeniem produktu lub też uszkodzeniem mienia w sąsiedztwie produktu. Zastrzega się możliwość wprowadzania zmian i aktualizacji niniejszej instrukcji produktu, wraz z instrukcjami, wskazówkami i ostrzeżeniami oraz powiązaną dokumentacją. Aktualne informacje dotyczące produktu można zawsze znaleźć na stronie www.dometic.com.

Spis treści

1	Objaśnienie symboli	165
2	Wskazówki bezpieczeństwa	166
3	Montaż lodówki	170
4	Dane techniczne	174

1 Objąśnienie symboli



OSTRZEŻENIE!

Wskazówka bezpieczeństwa informująca o niebezpiecznej sytuacji, która – jeśli się jej nie uniknie – może prowadzić do śmierci lub ciężkich obrażeń.



OSTROŻNIE!

Wskazówka bezpieczeństwa informująca o niebezpiecznej sytuacji, która – jeśli się jej nie uniknie – może prowadzić do lekkich lub średnich obrażeń.



UWAGA!

Wskazówka informująca o sytuacji, która – jeśli się jej nie uniknie – może prowadzić do powstania szkód materialnych.



WSKAZÓWKA

Informacje uzupełniające dotyczące obsługi produktu.

2 Wskazówki bezpieczeństwa

Producent nie odpowiada za szkody spowodowane:

- błędami powstałymi w trakcie montażu lub podłączenia
- uszkodzeniami produktu wywołanymi czynnikami mechanicznymi i niewłaściwym napięciem zasilania
- zmianami dokonanyymi w produkcie bez wyraźnej zgody producenta
- użytkowaniem w celach innych niż opisane w niniejszej instrukcji

2.1 Podstawowe zasady bezpieczeństwa



OSTRZEŻENIE! Nieprzestrzeganie tych ostrzeżeń może prowadzić do śmierci lub ciężkich obrażeń.

Zagrożenie życia w wyniku porażenia prądem

- Upewnić się, że urządzenie zostało zainstalowane przez wykwalifikowanego technika zgodnie z instrukcją montażu Dometic.
- Nie używać urządzenia, jeśli ma ono widoczne uszkodzenia.
- Jeśli przewód urządzenia ulegnie uszkodzeniu, aby uniknąć zagrożenia musi zostać on wymieniony przez producenta, jego serwis lub odpowiednio wykwalifikowaną osobę.
- Napraw mogą dokonywać tylko odpowiednio wykwalifikowane osoby. -Nieodpowiednio wykonane naprawy mogą być przyczyną poważnych zagrożeń.

Ryzyko wybuchu

- W urządzeniu nie wolno przechowywać substancji wybuchowych, np. pojemników aerozolowych z gazem wyłaczającym.

Zagrożenie zdrowia

- Dzieci od 8 lat i osoby o ograniczonych możliwościach fizycznych, sensorycznych lub intelektualnych oraz osoby niedysponujące stosowną wiedzą i doświadczeniem mogą używać tego urządzenia jedynie pod nadzorem innej osoby bądź pod warunkiem uzyskania informacji dotyczących bezpiecznego użytkowania urządzenia i zrozumienia wynikających z tego zagrożeń.
- Dzieci nie mogą bawić się urządzeniem.
- Dzieci nie mogą czyścić i konserwować urządzenia bez nadzoru.
- Dzieci od 3 do 8 lat mogą umieszczać produkty w urządzeniach chłodniczych i wyjmować je z nich.

Uwaga na dzieci

- Upewnić się, że półki są zamontowane i zamocowane, aby wykluczyć ryzyko uwięzienia dzieci wewnątrz urządzenia.
- Przed utylizacją starego urządzenia chłodniczego:
 - Zdemontować szufladę.
 - Pozostawić półki w lodówce w taki sposób, aby dzieci nie mogły się po nich wspinać.

**OSTROŻNIE! Nieprzestrzeżenie tych uwag może prowadzić do lekkich lub umiarkowanych obrażeń.****Niebezpieczeństwo zmiążdżenia**

- Nie dotykać zawiasu.

Zagrożenie zdrowia

- Artykuły spożywcze mogą być przechowywane tylko w oryginalnych opakowaniach lub w odpowiednich pojemnikach.

**UWAGA! Niebezpieczeństwo uszkodzenia**

- Należy porównać dane dotyczące napięcia na tabliczce znamionowej z dostępnym źródłem zasilania.
- Jeżeli pojazd nie jest wyposażony w układ odłączania akumulatora przy zbyt niskim napięciu, urządzenie należy odłączać lub wyłączać podczas wyłączania silnika. W przeciwnym razie akumulator pojazdu może się rozładować.
- Urządzenie nie nadaje się do przechowywania substancji żrących ani zawierających rozpuszczalniki.
- Otwór odpływowy zawsze utrzymywać w czystym stanie.
- W żadnym wypadku nie otwierać obiegu chłodzenia.
- Nigdy nie transportować urządzenia w pozycji poziomej, aby nie doszło do wycieku oleju ze sprężarki, a w rezultacie do uszkodzenia obiegu czynnika chłodniczego.
- Podczas transportowania uważać, aby nie uszkodzić obiegu czynnika chłodniczego. Czynnik chłodniczy w obiegu chłodniczym jest łatwopalny.
W razie uszkodzenia obiegu czynnika chłodniczego:
 - Unikać otwartego ognia i iskiei.
 - Dobrze przewietrzyć pomieszczenie.
- Urządzenie należy umieścić w suchym miejscu, zabezpieczonym przed bryzgami wody.

2.2 Bezpieczeństwo podczas eksploatacji urządzenia



NIEBEZPIECZEŃSTWO! Nieprzestrzeganie tych ostrzeżeń prowadzi do śmierci lub ciężkich obrażeń.

Zagrożenie życia w wyniku porażenia prądem

- Nigdy nie chwytać gołymi rękami nieosłoniętych przewodów.



OSTROŻNIE! Nieprzestrzeganie tych uwag może prowadzić do lekkich lub umiarkowanych obrażeń.

Ryzyko porażenia prądem

- Przed uruchomieniem urządzenia należy sprawdzić, czy przewód zasilający i wtyczka są suche.

Zagrożenie zdrowia

- Należy uważać, aby w urządzeniu umieszczać tylko artykuły, które mogą być przechowywane w ustawionej w nim temperaturze.
- Artykuły spożywcze mogą być przechowywane tylko w oryginalnych opakowaniach lub w odpowiednich pojemnikach.
- Pozostawianie drzwi urządzenia otwartych przez dłuższy czas może spowodować znaczny wzrost temperatury w jego komorach.
- Regularnie czyścić powierzchnie, które mogą mieć kontakt z żywnością i dostępnymi układami odprowadzania wody.
- Surowe mięso i ryby należy przechowywać w odpowiednich pojemnikach, tak aby nie miały one kontaktu z innymi produktami żywnościowymi ani nie kapały na nie.
- Jeśli urządzenie pozostaje puste przez długi czas:
 - Wyłączyć urządzenie.
 - Odmrozić urządzenie.
 - Oczyszczyć i osuszyć urządzenie.
 - Pozostawić otwarte drzwi, aby w urządzeniu nie rozwijała się pleśń.
- Gdy temperatura w pomieszczeniu, w którym znajduje się lodówka, przez dłuższy czas wynosi poniżej +10 °C, nie można zapewnić równomiernej regulacji temperatury w zamrażalniku. Może to doprowadzić do wzrostu temperatury w zamrażarce oraz do rozmrożenia przechowywanych w nim produktów.

Ryzyko obrażeń

- W przypadku nieprawidłowego ich użytkowania drzwi urządzenia lub zamrażalnika mogą całkowicie odłączyć się od urządzenia. Zamknąć i przycisnąć drzwi do momentu usłyszenia wyraźnego odgłosu zatrzaśnięcia po górnej i dolnej stronie.
- Nie opierać się na otwartych drzwiach urządzenia.

**UWAGA! Niebezpieczeństwo uszkodzenia**

- Jeśli drzwi nie są prawidłowo zablokowane po przeciwnej stronie, należy po tej stronie przycisnąć górną i dolną część drzwi, aż do ich zablokowania.
- Ciężkie przedmioty, takie jak butelki czy puszki, należy umieszczać wyłącznie w drzwiach urządzenia, w pojemniku na warzywa lub na dolnej półce.
- Wewnątrz lodówki nie można używać żadnych urządzeń elektrycznych za wyjątkiem urządzeń zalecanych przez producenta.
- Nie ustawiać urządzenia w pobliżu otwartego ognia ani innych źródeł ciepła (ogrzewania, bezpośredniego promieniowania słonecznego, piekarników gazowych itp.).
- Upewnić się, czy otwory wentylacyjne nie są zakryte.
- Nie wypełniać wewnętrznego pojemnika cieczami lub lodem.
- Nigdy nie zanurzać urządzenia w wodzie.
- Chronić urządzenie i przewody przed gorącem i wilgocią.
- Zwracać uwagę, aby produkty spożywcze nie dotykały ścian komory chłodzącej.

**WSKAZÓWKA**

- Zapytać producenta pojazdu, czy układ zarządzania akumulatorem pojazdu wyłącza urządzenia w celu ochrony akumulatora.
- Jeśli urządzenie nie będzie używane przez dłuższy czas, drzwi urządzenia i zamrażalnika należy umieścić w pozycji zimowej. Pozwoli to zapobiec powstawaniu pleśni.
- W przypadku temperatur otoczenia wynoszących od +15 °C do +25 °C należy wybrać średnie ustawienie temperatury.

3 Montaż lodówki



OSTROŻNIE! Zagrożenie zdrowia

Aby uniknąć niebezpieczeństwa spowodowanego niestabilnym ustawieniem urządzenia, należy je zamocować zgodnie z instrukcją.



Instrukcja zmiany ogranicznika drzwi i panelu dekoracyjnego znajduje się na stronie internetowej:

documents.dometic.com/?object_id=63258

Urządzenie nadaje się do instalacji w:

- przyczepach kempingowych
- pojazdach kempingowych

3.1 Przygotowanie do montażu



OSTROŻNIE! Ryzyko obrażeń

Urządzenie ma ostre krawędzie. Podczas jego montażu należy w związku z tym nosić rękawice.



UWAGA! Ryzyko uszkodzenia

- Lodówki nie można montować z tyłu przyczep kempingowych z drzwiami otwierającymi się w kierunku jazdy.
- Przed pierwszym uruchomieniem urządzenie należy pozostawić w pozycji pionowej na co najmniej 3 godziny.



WSKAZÓWKA

- W busach kempingowych urządzenie podbłatowe można zamontować z drzwiami wskazującymi w kierunku jazdy pod warunkiem jego montażu obok drzwi przesuwnych i za fotelem pasażera.
- W przypadku zastępowania lodówki absorpcyjnej urządzeniem sprężarkowym należy upewnić się, że zewnętrzne kratki wentylacyjne są całkowicie zamknięte. W innym wypadku sprężarka może nie uruchamiać się przy niskich temperaturach otoczenia (~poniżej 0°C).

Podczas montażu lodówki należy uwzględnić następujące uwagi:

- Podłoga musi być wystarczająco wytrzymała i wypoziomowana.
W związku z tym pojazd należy parkować na powierzchni poziomej.

- Lodówka musi być zamontowana w taki sposób, aby
 - była łatwo dostępna dla prac serwisowych
 - była łatwa do montażu i demontażu
 - można ją było łatwo usunąć z pojazdu
- Lodówka musi zostać zamontowana we wnęce, aby była unieruchomiona podczas poruszania się pojazdu. Należy przy tym przestrzegać wymiarów podanych na rys. **1**, strona 3 i rys. **2**, strona 4.
- Należy przestrzegać również następujących wymiarów wnęki (rys. **3**, strona 5):

	RC10.4(S)(T).70	RC10.4(S)(T).90	RC10.4P.100
Wysokość lodówki (A)	821 mm	975 mm	900 mm
Szerokość lodówki (B)	420 mm	420 mm	420 mm (sprężarka z tyłu) 590 mm (sprężarka z boku)
Głębokość lodówki (C) (plus pokrętło do obsługi: 5 mm)	450 mm	485 mm	655 mm (sprężarka z tyłu) 485 mm (sprężarka z boku)
Wysokość wnęki (H)	823 mm	977 mm	902 mm
Szerokość wnęki (W)	425 mm	425 mm	425 mm (sprężarka z tyłu) 595 mm (sprężarka z boku)
Głębokość wnęki (D)	452 mm	487 mm	657 mm (sprężarka z tyłu) 487 mm (sprężarka z boku)

	RCL10.4(S)(T)	RCD10.5(S)(T)	RCD10.5X(S)(T)
Wysokość lodówki (A)	1293 mm	1282 mm	1282 mm
Szerokość lodówki (B)	420 mm	523 mm	523 mm
Głębokość lodówki (C) (plus pokrętło do obsługi: 5 mm)	595 mm	565 mm	620 mm
Wysokość wnęki (H)	1296 mm	1285 mm	1285 mm

	RCL10.4(S)(T)	RCD10.5(S)(T)	RCD10.5X(S)(T)
Szerokość wnęki (W)	425 mm	528 mm	528 mm
Głębokość wnęki (D)	598 mm	568 mm	623 mm

	RCS10.5(S)(T)	RCS10.5X(S)(T)
Wysokość lodówki (A)	821 mm	821 mm
Szerokość lodówki (B)	523 mm	523 mm
Głębokość lodówki (C) (plus pokrętko do obsługi: 5 mm)	555 mm	610 mm
Wysokość wnęki (H)	824 mm	824 mm
Szerokość wnęki (W)	528 mm	528 mm
Głębokość wnęki (D)	558 mm	613 mm

3.2 Montaż odpływu skroplin



WSKAZÓWKA

- W wyniku częstego otwierania drzwi, nieprawidłowego przechowywania żywności lub umieszczania w lodówce zbyt ciepłych potraw mogą powstawać w niej skropliny.
- Przewód odpływowy skroplin musi być na całej długości nachylony.

Odpływ skroplin należy zamontować w następujący sposób:

- Poprowadzić przewód odpływowy skroplin od lodówki na zewnątrz poprzez otwór w podłodze.

3.3 Podłączanie zasilania elektrycznego



UWAGA!

- Instalacja elektryczna oraz naprawy mogą być wykonywane wyłącznie przez specjalistę zgodnie z obowiązującymi krajowymi przepisami i normami.
- Aby uniknąć strat napięcia i mocy, należy zastosować jak najkrótszy i w miarę możliwości niełączony kabel. Z tego względu należy unikać korzystania z dodatkowych przełączników, wtyków lub listew zasilających.
- Przed przyłączeniem sprawdzić, czy wartości napięcia roboczego i napięcia akumulatora są takie same (patrz tabliczka znamionowa).

- ▶ Przekrój kabla określa się w zależności od jego długości zgodnie z rys. **4**, strona 5.
- ▶ Podłączyć kable do złącza AMP lodówki (rys. **5**, strona 6).
- ▶ Podłączyć przeciwległe końce kabli do źródła napięcia 12 V \equiv .



UWAGA!

- Uważać przy tym na prawidłową biegunowość.
 - Na dodatnim kablu (+) należy zainstalować bezpiecznik 10 A.
- najlepiej bezpośrednio, unikając zbędnych połączeń
 - rd (czerwony): z bezpiecznikiem (10 A) do dodatniego bieguna (+)
 - bk (czarny): do ujemnego bieguna (-)

3.4 Mocowanie lodówki



OSTRZEŻENIE! Ryzyko pożaru

- Podczas ustawiania urządzenia należy uważać, aby nie przygnieść ani nie uszkodzić przewodu zasilającego.
- Nie umieszczać z tyłu urządzenia rozgałęziaczy ani zasilaczy.



OSTROŻNIE!

Śruby należy wkręcać wyłącznie w przeznaczone do tego celu tulejki, aby uniknąć uszkodzenia elementów ukrytych w piance izolacyjnej, takich jak przewody itp.

**WSKAZÓWKA**

- Przykręcić boczne ściany lub przymocowane listwy w taki sposób, aby śruby pozostawały mocno dokręcone również przy zwiększonych obciążeniach (podczas jazdy).
- Lodówka jest zaprojektowana do pracy z regulowanym przepływem powietrza. Producent nie zaleca pozostawiania dodatkowej przestrzeni pomiędzy lodówką a ścianami wnęki.

- ▶ Ustawić lodówkę w jej ostatecznym położeniu, przednim kołnierzem mocno dociśniętym do przodu wnęki.
- ▶ Wkręcić śruby (rys. **6**, strona 6) w plastikowe tulejki w ścianach bocznych lodówki oraz dalej w ściany wnęki.
- ▶ Założyć zatyczki na główki śrub.

Montaż panelu sterowania RC10.4P.100

- ▶ Zamontować panel sterowania w zilustrowany sposób (rys. **7**, strona 7).


4 Dane techniczne


Deklarację zgodności urządzenia można znaleźć na stronie produktu pod adresem: dometic.com lub skontaktować się bezpośrednio z producentem (patrz dometic.com/dealer).


Urządzenie to jest zgodne z regulaminem nr 10 EKG ONZ.

Zawiera fluorowane gazy cieplarniane

Hermetycznie zamknięte urządzenie

	RC10.4(S)(T).70	RC10.4(S)(T).90	RC10.4P.100
Pojemność			
Pojemność brutto:	62 l	86 l	94 l
Komora lodówki:	54,5 l	75,5 l	81 l
Zamrażarka	7,5 l	7,5 l	9 l
Całkowita pojemność netto:	62 l	83 l	90 l
Z wyłączeniem zamrażarki			
Pojemność brutto:	69 l	90 l	98 l
Pojemność netto:	64 l	85 l	93 l
Napięcie zasilania:	12 V \equiv	12 V \equiv	12 V \equiv
Średni pobór mocy:	42 W	45 W	48 W
Zużycie energii	0,45 kWh/24 h	0,45 kWh/24 h	0,48 kWh/24 h
Tryb WYSOKIEJ WYDAJNOŚCI:	37,5 Ah/24 h	37,5 Ah/24 h	38 Ah/24 h
Klasa klimatyczna:	T	T	T
Czynnik chłodniczy:	R134a/40 g	R134a/43 g	R134a/47 g
Ekwiwalent CO ₂ :	0,057 t	0,061 t	0,065 t
Potencjał tworzenia efektu cieplarnianego (GWP):	1430	1430	1430
Emisja hałasu (EN60704)			
Tryb WYSOKIEJ WYDAJNOŚCI:	42 dB(A)	42 dB(A)	42 dB(A)
Tryb CICHY:	39 dB(A)	39 dB(A)	39 dB(A)
Wymiary wys. x szer. x gł. (w mm):	821 x 420 x 450	975 x 420 x 485	902 x 420 x 655 (sprężarka z tyłu) 902 x 590 x 485 (sprężarka z boku)
Masa:	19,5 kg	21,4 kg	21 kg
Kontrola/certyfikat:			

	RCL 10.4(S)(T)	RCD 10.5(S)(T)	RCD 10.5X(S)(T)
Pojemność			
Pojemność brutto:	133 l	153 l	177 l
Komora lodówki:	116 l	118 l	142 l
Zamrażarka	12 l	29 l	35 l
Całkowita pojemność netto:	128 l	147 l	171 l
Z wyłączeniem zamrażarki			
Pojemność brutto:	139 l	–	–
Pojemność netto:	134 l	–	–
Napięcie zasilania:	12 V \equiv	12 V \equiv	12 V \equiv
Średni pobór mocy:	54 W	54 W	54 W
Zużycie energii	0,44 kWh/24 h	0,51 kWh/24 h	0,52 kWh/24 h
Tryb WYSOKIEJ WYDAJNOŚCI:	37 Ah/24 h	43 Ah/24 h	44 Ah/24 h
Klasa klimatyczna:	ST	ST	ST
Czynnik chłodniczy:	R134a / 40 g	R134a/44 g	R134a/44 g
Ekwiwalent CO ₂ :	0,057 t	0,057 t	0,057 t
Potencjał tworzenia efektu cieplarnianego (GWP):	1430	1430	1430
Emisja hałasu (EN60704)			
Tryb WYSOKIEJ WYDAJNOŚCI:	42 dB(A)	42 dB(A)	42 dB(A)
Tryb CICHY:	39 dB(A)	39 dB(A)	39 dB(A)
Wymiary wys. x szer. x gł. (w mm):	1293 x 420 x 595	1282 x 523 x 565	1282 x 523 x 620
Masa:	32 kg	36,5 kg	39,5 kg
Kontrola/certyfikat:			

	RCS 10.5(S)(T)	RCS10.5X(S)(T)
Pojemność		
Pojemność brutto:	78 l	92 l
Komora lodówki:	69,1 l	80,3 l
Zamrażarka	9,2 l	12,1 l
Całkowita pojemność netto:	78 l	92 l
Z wyłączeniem zamrażarki		
Pojemność brutto:	83 l	98 l
Pojemność netto:	83 l	98 l
Napięcie zasilania:	12 V	12 V
Średni pobór mocy:	5,9 A	5,5 A
Zużycie energii		
Tryb WYSOKIEJ WYDAJNOŚCI:	1,46 Ah/h	1,48 Ah/h
Klasa klimatyczna:	N, ST	N, ST
Czynnik chłodniczy:	R600a / 24 g	R600a / 23 g
Ekwiwalent CO ₂ :	0,000072 t	0,000069 t
Potencjał tworzenia efektu cieplarnianego (GWP):	3	3
Emisja hałasu (EN60704)		
Z kanałem wentylacyjnym:		
Tryb WYSOKIEJ WYDAJNOŚCI:	44 dB(A)	44 dB(A)
Tryb CICHY:	39 dB(A)	39 dB(A)
Bez kanału wentylacyjnego:		
Tryb WYSOKIEJ WYDAJNOŚCI:	42 dB(A)	42 dB(A)
Tryb CICHY:	38 dB(A)	38 dB(A)
Wymiary wys. x szer. x gł. (w mm):	821 x 523 x 555	821 x 523 x 610
Masa:	24,5 kg	25 kg
Kontrola/certyfikat:		

Dôkladne si prečítajte tento návod a dodržiavajte všetky pokyny, usmernenia a varovania uvedené v tomto návode k výrobku, aby bolo zaručené, že výrobok bude vždy správne nainštalovaný, používaný a udržiavaný. Tento návod MUSÍ zostať priložený k výrobku.

Používaním tohto výrobku týmto potvrdzujete, že ste si dôkladne prečítali všetky pokyny, usmernenia a varovania a že rozumiete a súhlasíte s dodržiavaním všetkých uvedených podmienok. Súhlasíte, že tento výrobok budete používať iba v súlade s určeným použitím a v súlade s pokynmi, usmerneniami a varovaniami uvedenými v tomto návode k výrobku, ako aj v súlade so všetkými platnými zákonmi a nariadeniami. V prípade, že si neprečítate a nebudete sa riadiť pokynmi a varovaniami uvedenými v tomto návode, môže mať za následok vaše poranenie alebo poranenie iných osôb, poškodenie vášho výrobku alebo poškodenie majetku v jeho blízkosti. Tento návod na obsluhu výrobku vrátane pokynov, usmernení a varovaní, a súvisiaca dokumentácia môže podliehať zmenám a aktualizáciám. Najaktuálnejšie informácie o výrobku nájdete na adrese www.dometic.com.

Obsah

1	Vysvetlenie symbolov	178
2	Bezpečnostné pokyny	178
3	Montáž chladničky	183
4	Technické údaje	187

1 Vysvetlenie symbolov



VÝSTRAHA!

Bezpečnostné upozornenie na nebezpečnú situáciu, ktorá môže viesť k usmrtieniu alebo ťažkému poraneniu, ak sa jej nezabráni.



UPOZORNENIE!

Bezpečnostné upozornenie na nebezpečnú situáciu, ktorá môže viesť k ľahkému alebo stredne ťažkému usmrtieniu alebo ťažkému poraneniu, ak sa jej nezabráni.



POZOR!

Upozornenie na situáciu, ktorá môže viesť k materiálnym škodám, ak sa jej nezabráni.



POZNÁMKA

Doplňujúce informácie týkajúce sa obsluhy produktu.

2 Bezpečnostné pokyny

Výrobca v nasledujúcich prípadoch nepreberá za škody žiadnu záruku:

- Chyby montáže alebo pripojenia

- Poškodenia produktu mechanickým pôsobením a nesprávnym pripájacím napätím
- Zmeny produktu bez vyjadreného povolenia výrobcu
- Použitie na iné účely ako sú účely uvedené v návode

2.1 Základy bezpečnosti



VÝSTRAHA! Nedodržanie týchto varovaní môže mať za následok smrť alebo vážne poranenie.

Nebezpečenstvo ohrozenia života zásahom elektrického prúdu

- Postarajte sa aby zariadenie nainštaloval kvalifikovaný technik podľa návodu na montáž firmy Dometic.
- Keď zariadenie vykazuje viditeľné poškodenia, nesmiete ho uvádzať do prevádzky.
- Keď je pripájací kábel tohto zariadenia poškodený, musí jeho výmenu vykonať výrobca alebo jeho služby zákazníkom alebo podobne spôsobilá osoba, aby sa zabránilo vzniku nebezpečenstva.
- Opravy na tomto zariadení smie vykonávať len spôsobilý personál. Neodborné opravy predstavujú riziko vážnych nebezpečenstiev.

Nebezpečenstvo výbuchu

- Neskladujte v zariadení látky, u ktorých hrozí nebezpečenstvo výbuchu napr. sprejové nádoby s hnacím plynom.

Ohrozenie zdravia

- Toto zariadenie smú používať deti od 8 rokov a osoby so zníženými psychickými, zmyslovými alebo mentálnymi schopnosťami a vedomosťami, keď sú pod dozorom alebo keď boli poučené o bezpečnom používaní zariadenia a chápu, aké riziká z toho vyplývajú.
- Deti sa nesmú hrať so zariadením.
- Čistenie a bežnú údržbu nesmú vykonávať deti bez dozoru.
- Deti vo veku od 3 do 8 rokov smú vkladať potraviny do chladiacich zariadení a tiež ich z nich vyberať.

Nebezpečenstvo uväznenia detí

- Postarajte sa, aby police boli namontované a zaistené, takže deti sa nebudú môcť zavrieť v zariadení.

- Pred likvidáciou vašej starej chladničky:
 - Rozmontujte zásuvky.
 - Nechajte zásuvky v chladničke, aby deti nemohli vojsť dnu.



UPOZORNENIE! Nedodržanie týchto upozornení môže mať za následok drobné alebo stredne ťažké poranenie.

Nebezpečenstvo pomliaždenia

- Nesiahajte do závesu.

Ohrozenie zdravia

- Potraviny sa smú uskladňovať len v originálnom obale alebo vhodných nádobách.



POZOR! Nebezpečenstvo poškodenia

- Porovnajete údaje o napätí na typovom štítku s existujúcim zdrojom napätia.
- Ak vaše vozidlo nedisponuje odpojením batérie pri podpätí, odpojte zariadenie alebo ho vypnite, keď vypnete motor. Inak sa môže vybiť batéria vozidla.
- Zariadenie nie je vhodné na skladovanie žieravých látok alebo látok s obsahom rozpúšťadiel.
- Odtokový otvor vždy udržiavajte čistý.
- Chladiaci okruh v žiadnom prípade neotvárajte.
- Neprepravujte zariadenie vo vodorovnej polohe, aby z kompresora nevytiekol olej a nepoškodil tak chladiaci okruh.
- Pri preprave dávajte pozor, aby nedošlo k poškodeniu chladiaceho okruhu. Chladiaci prostriedok v chladiacom okruhu je vysoko horľavý. V prípade poškodenia chladiaceho okruhu:
 - Nepoužívajte otvorený oheň a zabráňte vzniku iskier.
 - Dobře vyvetrajte priestor.
- Zariadenie umiestnite na suchom mieste, ktoré je chránené pred striekajúcou vodou.

2.2 Bezpečnosť pri prevádzke zariadenia



NEBZPEČENSTVO! Nedodržanie týchto varovaní bude mať za následok smrť alebo vážne poranenie.

Nebezpečenstvo ohrozenia života zásahom elektrického prúdu

- Nikdy sa nedotýkajte holými rukami obnažených vodičov.

**UPOZORNENIE! Nedodržanie týchto upozornení môže mať za následok drobné alebo stredne ťažké poranenie.****Nebezpečenstvo úrazu elektrickým prúdom**

- Pred uvedením zariadenia do prevádzky dbajte na to, aby bolo suché prírodné vedenie a zástrčka.

Ohrozenie zdravia

- Dbajte na to, aby sa v zariadení nachádzal len tovar, ktorý sa môže chladiť na zvolenú teplotu.
- Jedlo sa smie skladovať iba v pôvodnom balení alebo vo vhodných nádobách.
- Otvorenie dverí na dlhšiu dobu môže spôsobiť výrazné zvýšenie teploty v priehradkách zariadenia.
- Pravidelne čistíte povrchy, ktoré môžu prísť do kontaktu s potravinami a prístupnými systémami na odvádzanie kondenzátu.
- Surové mäso a ryby uchovávajúte vo vhodných nádobách v zariadení tak, aby neboli v kontakte s inými potravinami ani na ne nekvapkali.
- Ak zariadenie ponecháte prázdne na dlhý čas:
 - Vypnite zariadenie.
 - Odmrazte zariadenie.
 - Zariadenie vyčistíte a usušte.
 - Nechajte dvierka otvorené, aby ste zabránili tvorbe plesní vnútri zariadenia.
- Ak je chladnička dlhšiu dobu vystavená izbovej teplote pod +10 °C, v mraziacej priehradke nie je možné zaručiť stálu teplotu. To môže viesť k zvýšeniu teploty v mraziacej priehradke a uložené potraviny sa môžu rozmraziť.

Nebezpečenstvo poranenia

- Dvere zariadenia alebo mrazičky sa môžu úplne odpojiť od zariadenia, ak sa nepoužívajú správne. Dvere pritlačením zatvorte, až kým nebudete počuť zreteľné kliknutie na vrchu a na spodku.
- Neopierajte sa o otvorené dvere zariadenia.

**POZOR! Nebezpečenstvo poškodenia**

- Ak dvere nie sú správne zaistené na opačnej strane, opatrne zatlačte na vrch a spodok dverí na danej strane, kým dvere nezapadnú na miesto.
- Ťažké predmety ako fľaše alebo plechovky ukladajte výlučne do dverí zariadenia, do zásuvky na zeleninu alebo na spodný nosný rošt.

- Nepoužívajte žiadne elektrické zariadenia v chladiacom zariadení, okrem prípadu, keď výrobca odporúča používanie týchto zariadení takýmto spôsobom.
- Zariadenie neumiestňujte v blízkosti otvoreného ohňa alebo iných zdrojov tepla (kúrenie, priame slnečné žiarenie, plynové pece atď.).
- Uistite sa, že vetracie otvory nie sú prekryté.
- Do vnútorného zásobníka neplňte žiadne kvapaliny alebo ľad.
- Zariadenie nikdy neponárajte do vody.
- Chráňte zariadenie a káble pred vysokými teplotami a mokrom.
- Dbajte na to, aby sa potraviny nedotýkali stien chladiaceho priestoru.

**POZNÁMKA**

- Informujte sa u výrobcu vášho vozidla, či správa batérie vozidla vypne zariadenia za účelom ochrany batérie.
- Umiestnite dvere zariadenia a dvierka mraziaceho priečinku do zimnej polohy, ak zariadenie nebudete dlhšiu dobu používať. Vyhnete sa tak tvorbe plesní.
- Pri teplotách okolia v rozmedzí +15 °C až +25 °C zvolte priemerný chladiaci výkon.

3 Montáž chladničky



UPOZORNENIE! Ohrozenie zdravia

Zariadenie musí byť upevnené podľa opisu v návode, aby sa zabránilo ohrozeniu následkom jeho nestability/uvoľnenia.



Príručku s pokynmi na výmenu zarážky dvierok a dekoračnej platne nájdete on-line na adrese:

documents.dometic.com/?object_id=63258

Zariadenie je vhodné pre montáž do:

- karavanov
- obytných vozidiel

3.1 Príprava montáže



UPOZORNENIE! Nebezpečenstvo poranenia

Zariadenie má ostré hrany a počas montáže používajte rukavice.



POZOR! Nebezpečenstvo poškodenia

- Chladnička sa nesmie montovať v zadnej časti karavanu s dverami v smere jazdy.
- Ponechajte zariadenie vo zvislej polohe minimálne 3 hodiny, než ho po prvýkrát zapnete.



POZNÁMKA

- V obytných vozidlách môžete byť vstavaná jednotka namontovaná s dverami v smere jazdy, ak je namontovaná vedľa posuvných dverí a za sedadlom spolujazdca.
- Ak kompresorová chladnička nahradí absorpčnú jednotku, musíte zabezpečiť, aby externé vetracie mriežky boli úplne zakryté. V opačnom prípade hrozí riziko, že kompresor sa nespustí pri nízkej teplote okolia (~pod 0 °C).

Pri montáži chladničky dodržiavajte nasledovné pokyny:

- Ubezpečte sa, že podlaha je pevná a rovná. Kvôli tomu zaparkujte vozidlo na vodorovnom povrchu.
- Chladnička musí byť namontovaná tak, aby
 - bola ľahko dostupná pre servisné práce
 - ľahko sa demontovala a montovala
 - dala sa ľahko vybrať z vozidla
- Chladnička musí byť zabudovaná do výklenku, aby sa pri pohybe vozidla nepohla. Za týmto účelom si poznačte rozmery na obr. **1**, strane 3 a obr. **2**, strane 4.
- Tiež si poznačte nasledujúce rozmery výklenku (obr. **3**, strane 5):

	RC10.4(S)(T).70	RC10.4(S)(T).90	RC10.4P.100
Výška chladničky (A)	821 mm	975 mm	900 mm
Šírka chladničky (B)	420 mm	420 mm	420 mm (zadný kompresor) 590 mm (bočný kompresor)
Hĺbka chladničky (C) (nezahŕňa ovládaci regulátor 5 mm)	450 mm	485 mm	655 mm (zadný kompresor) 485 mm (bočný kompresor)
Výška výklenku (V)	823 mm	977 mm	902 mm
Šírka výklenku (Š)	425 mm	425 mm	425 mm (zadný kompresor) 595 mm (bočný kompresor)
Hĺbka výklenku (D)	452 mm	487 mm	657 mm (zadný kompresor) 487 mm (bočný kompresor)

	RCL 10.4(S)(T)	RCD 10.5(S)(T)	RCD 10.5X(S)(T)
Výška chladničky (A)	1293 mm	1282 mm	1282 mm
Šírka chladničky (B)	420 mm	523 mm	523 mm
Hĺbka chladničky (C) (nezahŕňa ovládací regulačtor 5 mm)	595 mm	565 mm	620 mm
Výška výklenku (V)	1296 mm	1285 mm	1285 mm
Šírka výklenku (Š)	425 mm	528 mm	528 mm
Hĺbka výklenku (D)	598 mm	568 mm	623 mm

	RCS 10.5(S)(T)	RCS 10.5X(S)(T)
Výška chladničky (A)	821 mm	821 mm
Šírka chladničky (B)	523 mm	523 mm
Hĺbka chladničky (C) (nezahŕňa ovládací regulačtor 5 mm)	555 mm	610 mm
Výška výklenku (V)	824 mm	824 mm
Šírka výklenku (Š)	528 mm	528 mm
Hĺbka výklenku (D)	558 mm	613 mm

3.2 Montáž odtoku kondenzovanej vody



POZNÁMKA

- Vo vnútri chladničky sa kvôli častému otváraní dverí, nesprávne skladovaným potravinám alebo skladovaniu príliš teplých jedál môže tvoriť kondenzovaná voda.
- Kondenzovaná voda musí odtekať pod konštantným sklonom.

Odtok kondenzovanej vody namontujte nasledovne:

- ▶ Ved'te hadicu na kondenzovanú vodu z chladničky cez otvor v podlahe smerom von.

3.3 Pripojenie zdroja napájania



POZOR!

- Elektrickú inštaláciu, ako aj opravy smie vykonávať len odborník podľa platných predpisov a noriem danej krajiny.
- Aby ste predišli poklesu napätia, a tým aj poklesu výkonu, mal by byť kábel čo najkratší a neprerušovaný. Z tohto dôvodu sa vyhnite doplnkovým spínačom, zásuvkám alebo rozdeľovacím zásuvkám.
- Pred pripojením skontrolujte, či sa prevádzkové napätie zhoduje s napätím batérie (pozri typový štítok).

- Určte potrebný prierez kábla v závislosti od dĺžky kábla podľa obr. **4**, strane 5.
- Pripojte káble k AMP konektoru chladničky (obr. **5**, strane 6).
- Opačné konce káblov pripojte k zdroju napájania 12 V --- :



POZOR!

- Dbajte pritom na správnu polaritu.
- Kladný (+) kábel vybavte s poistkou 10 A.

- čo najpriamejšou trasou
- rd (červený): s poistkovou ochranou (10 A) pripojenou ku kladnému (+) pólu
- bk (čierny): k zápornému (-) pólu

3.4 Pripevnenie chladničky



VÝSTRAHA! Nebezpečenstvo požiaru

- Pri umiestňovaní zariadenia sa ubezpečte, že napájací kábel nie je zachytený alebo poškodený.
- Neumiestňuje žiadne viacnásobné prenosné zásuvky alebo prenosné napájacie adaptéry na zadnú stranu zariadenia.



UPOZORNENIE!

Skrutkujte vždy cez puzdrá, ktoré sú na to určené, pretože v opačnom prípade môže dôjsť k poškodeniu zaplenených dielov, ako napríklad káble.

**POZNÁMKA**

- Prípevnite bočné steny alebo namontované lišty tak, aby skrutky pevne držali aj pri vyššom namáhaní (počas jazdy).
- Chladnička je skonštruovaná tak, aby bolo zaručené regulované prúdenie vzduchu. Výrobca neodporúča ponechať dodatočný priestor medzi chladničkou a stenami otvoru.

- ▶ Premiestnite chladničku do jej konečnej polohy tak, aby predná príruha tesne priliehala proti prednej časti výklenku.
- ▶ Zakrúťte skrutky (obr. **6**, strane 6) cez plastové puzdrá v bočných stenách chladničky a ďalej do steny.
- ▶ Na hlavy skrutiek nasadte krycie uzávery.

Montáž ovládacieho panela RC 10.4P.100

- ▶ Namontujte ovládací panel podľa obrázku (obr. **7**, strane 7).


4 Technické údaje


Aktuálne vyhlásenie ES o zhode pre Vaše zariadenie nájdete na stránke príslušného výrobcu na internetovej stránke dometic.com alebo sa obráťte priamo na výrobcu (pozri dometic.com/dealer).


Toto zariadenie spĺňa požiadavky nariadenia UN ECE R10.

Obsahuje fluórované skleníkové plyny

Hermeticky uzavreté zariadenie

	RC10.4(S)(T).70	RC10.4(S)(T).90	RC10.4P.100
Kapacita			
Hrubý objem:	62 l	86 l	94 l
Chladiaca priehradka:	54,5 l	75,5 l	81 l
Mraziaca priehradka:	7,5 l	7,5 l	9 l
Celkový čistý objem:	62 l	83 l	90 l
Okrem mraziacej priehradky			
Hrubý objem:	69 l	90 l	98 l
Čistý objem:	64 l	85 l	93 l
Pripájacie napätie:	12 V \equiv	12 V \equiv	12 V \equiv
Priemerný príkon:	42 W	45 W	48 W
Spotreba	0,45 kWh/24 h	0,45 kWh/24 h	0,48 kWh/24 h
Režim PERFORMANCE:	37,5 Ah/24 h	37,5 Ah/24 h	38 Ah/24 h
Klimatická trieda:	T	T	T
Chladivo:	R134a/40 g	R134a/43 g	R134a/47 g
Ekvivalent CO ₂ :	0,057 t	0,061 t	0,065 t
Potenciál globálneho otepľovania (GWP):	1430	1430	1430
Emisia hluku (EN60704)			
Režim PERFORMANCE:	42 dB(A)	42 dB(A)	42 dB(A)
Režim QUIET:	39 dB(A)	39 dB(A)	39 dB(A)
Rozmery V × Š × H (v mm):	821 × 420 × 450	975 × 420 × 485	902 × 420 × 655 (zadný kompresor) 902 × 590 × 485 (bočný kompresor)
Hmotnosť:	19,5 kg	21,4 kg	21 kg
Skúška/certifikát:			

	RCL 10.4(S)(T)	RCD 10.5(S)(T)	RCD 10.5X(S)(T)
Kapacita			
Hrubý objem:	133 l	153 l	177 l
Chladiaca priehradka:	116 l	118 l	142 l
Mraziaca priehradka:	12 l	29 l	35 l
Celkový čistý objem:	128 l	147 l	171 l
Okrem mraziacej priehradky			
Hrubý objem:	139 l	–	–
Čistý objem:	134 l	–	–
Pripájacie napätie:	12 V \equiv	12 V \equiv	12 V \equiv
Priemerný príkon:	54 W	54 W	54 W
Spotreba	0,44 kWh/24 h	0,51 kWh/24 h	0,52 kWh/24 h
Režim PERFORMANCE:	37 Ah/24 h	43 Ah/24 h	44 Ah/24 h
Klimatická trieda:	ST	ST	ST
Chladivo:	R134a/40 g	R134a/44 g	R134a/44 g
Ekvivalent CO ₂ :	0,057 t	0,057 t	0,057 t
Potenciál globálneho otepľovania (GWP):	1430	1430	1430
Emisia hluku (EN60704)			
Režim PERFORMANCE:	42 dB(A)	42 dB(A)	42 dB(A)
Režim QUIET:	39 dB(A)	39 dB(A)	39 dB(A)
Rozmery V × Š × H (v mm):	1293 × 420 × 595	1282 × 523 × 565	1282 × 523 × 620
Hmotnosť:	32 kg	36,5 kg	39,5 kg
Skúška/certifikát:			

	RCS 10.5(S)(T)	RCS10.5X(S)(T)
Kapacita		
Hrubý objem:	78 l	92 l
Chladiaca priehradka:	69,1 l	80,3 l
Mraziaca priehradka:	9,2 l	12,1 l
Celkový čistý objem:	78 l	92 l
Okrem mraziacej priehradky		
Hrubý objem:	83 l	98 l
Čistý objem:	83 l	98 l
Pripájacie napätie:	12 V	12 V
Priemerný príkon:	5,9 A	5,5 A
Spotreba		
Režim PERFORMANCE:	1,46 Ah/h	1,48 Ah/h
Klimatická trieda:	N, ST	N, ST
Chladivo:	R600a / 24 g	R600a / 23 g
Ekvivalent CO ₂ :	0,000072 t	0,000069 t
Potenciál globálneho otepľovania (GWP):	3	3
Emisia hluku (EN60704)		
So vzduchovým kanálom:		
Režim PERFORMANCE:	44 dB(A)	44 dB(A)
Režim QUIET:	39 dB(A)	39 dB(A)
Bez vzduchového kanála:		
Režim PERFORMANCE:	42 dB(A)	42 dB(A)
Režim QUIET:	38 dB(A)	38 dB(A)
Rozmery V × Š × H (v mm):	821 × 523 × 555	821 × 523 × 610
Hmotnosť:	24,5 kg	25 kg
Skúška/certifikát:		

Pečlivě si prosím přečtěte a dodržujte všechny pokyny, směrnice a varování obsažené v tomto návodu k výrobku, abyste měli jistotu, že výrobek budete vždy správně instalovat, používat a udržovat. Tyto pokyny MUSÍ být uchovávány v blízkosti výrobku.

Používáním výrobku tímto potvrzujete, že jste si pečlivě přečetli všechny pokyny, směrnice a varování a že rozumíte podmínkám uvedeným v tomto dokumentu a souhlasíte s nimi. Souhlasíte s používáním tohoto výrobku pouze k určenému účelu a použití a v souladu s pokyny, směrnice a varováními uvedenými v tomto návodu k výrobku a v souladu se všemi příslušnými zákony a předpisy. Pokud si nepřečtete a nebudete dodržovat zde uvedené pokyny a varování, může to vést ke zranění vás i ostatních, poškození vašeho výrobku nebo poškození jiného majetku v okolí. Tento návod k výrobku, včetně pokynů, směrnic a varování a související dokumentace může být předmětem změn a aktualizací. Aktuální informace o výrobku naleznete na stránkách www.domestic.com.

Obsah

1	Vysvětlení symbolů	191
2	Bezpečnostní pokyny	191
3	Instalace chladničky	195
4	Technické údaje	199

1 Vysvětlení symbolů



VÝSTRAHA!

Bezpečnostní upozornění na nebezpečnou situaci, která může vést k úmrtí nebo těžkému poranění osob, pokud se jí nevyhnete.



UPOZORNĚNÍ!

Bezpečnostní upozornění na nebezpečnou situaci, která může vést k lehkému nebo středně těžkému poranění osob, pokud se jí nevyhnete.



POZOR!

Upozornění na situaci, která může vést k poškození majetku, pokud se jí nevyhnete.



POZNÁMKA

Doplňující informace týkající se obsluhy výrobku.

2 Bezpečnostní pokyny

V následujících případech nepřebírá výrobce žádné záruky za škody:

- Chybná montáž nebo chybné připojení

- Poškození výrobku působením mechanických vlivů a chybného připojovacího napětí
- Změna výrobku bez výslovného souhlasu výrobce
- Použití k jiným účelům, než jsou popsány v tomto návodu

2.1 Základní bezpečnost



VÝSTRAHA! Nedodržení těchto varování by mohlo mít za následek smrt nebo vážné zranění.

Ohrožení života elektrickým proudem

- Ujistěte se, že přístroj byl instalován kvalifikovaným technikem v souladu s návodem k montáži Dometic.
- V případě, že je přístroj viditelně poškozen, nesmíte ho používat.
- Pokud je přívodní kabel tohoto přístroje poškozen, musí být vyměněn výrobcem, zákaznickým servisem nebo odborníkem s podobnou kvalifikací tak, aby nevzniklo nebezpečí.
- Opravy tohoto přístroje smějí provádět pouze kvalifikovaní pracovníci. Nesprávné provedené opravy mohou být zdrojem značných rizik.

Nebezpečí výbuchu

- Neskladujte v přístroji výbušné látky, jako např. spreje s hnacím plynem.

Nebezpečí ohrožení zdraví

- Tento přístroj mohou používat děti od 8 let a osoby se sníženými fyzickými, smyslovými nebo duševními schopnostmi nebo s nedostatečnými zkušenostmi a znalostmi, pokud jsou pod dohledem nebo obdržely pokyny týkající se používání přístroje bezpečným způsobem a porozuměly souvisejícím nebezpečím.
- Děti si s přístrojem nesmí hrát.
- Čištění a běžnou údržbu nesmějí provádět děti bez dozoru.
- Děti ve věku 3 až 8 let smí chladicí přístroj nakládat a vykládat.

Pozor na děti!

- Ujistěte se, že police jsou upevněny a zajištěny, aby děti nemohly samy sebe uzamknout v přístroji.
- Před likvidací chladničky:
 - Vyměňte zásuvku.
 - Nechejte v chladničce police, aby se dovnitř nemohly dostat děti.



UPOZORNĚNÍ! Nedodržení těchto upozornění by mohlo mít za následek lehké nebo střední zranění.

Nebezpečí stlačení

- Nesahejte do závěsu.

Nebezpečí ohrožení zdraví

- Skladujte potraviny pouze v originálním balení nebo ve vhodných nádobách.



POZOR! Nebezpečí poškození

- Porovnejte údaj o napětí na typovém štítku se stávajícím zdrojem napájení.
- Pokud vaše vozidlo není vybaveno podpěťovým odpojovačem baterie, odpojte přístroj nebo jej vypněte při vypnutí motoru. V opačném případě může dojít k vybití baterie vozidla.
- Přístroj není vhodný ke skladování leptavých látek nebo látek obsahujících rozpouštědla.
- Udržujte odtokový otvor vždy čistý.
- Nikdy neotevírejte chladicí okruh.
- Nikdy nepřpravujte přístroj ve vodorovné poloze, aby z kompresoru nemohl vytéct olej a tím poškodit chladicí okruh.
- Dávejte při přepravě pozor, abyste nepoškodili chladicí okruh. Chladivo v chladicím okruhu je vysoce hořlavé.
Při poškození chladicího okruhu:
 - Pozor na otevřený plamen a jiskření.
 - Dobře větrejte místnost.
- Umístěte přístroj na suchém místě chráněném před stříkající vodou.

2.2 Bezpečnost za provozu přístroje



NEBEZPEČÍ! Nedodržení těchto varování bude mít za následek smrt nebo vážné zranění.

Ohrožení života elektrickým proudem

- Nikdy se nedotýkejte odizolovaných vodičů.



UPOZORNĚNÍ! Nedodržení těchto upozornění by mohlo mít za následek lehké nebo střední zranění.

Nebezpečí usmrcení elektrickým proudem

- Před uvedením přístroje do provozu zkontrolujte, zda jsou přívodní kabel a zástrčka suché.

Nebezpečí ohrožení zdraví

- Dbejte, aby do přístroje byly vloženy pouze předměty nebo potraviny, které je dovoleno chladit na nastavenou teplotu.
- Skladujte potraviny pouze v originálním balení nebo ve vhodných nádobách.
- Otevření dvířek na delší dobu může způsobit značné zvýšení teploty v přihrádkách přístroje.
- Pravidelně čistěte povrchy, které se mohou dostat do kontaktu s potravinami a přístupnými odtokovými systémy.
- Syrové maso a ryby uchovávejte v přístroji ve vhodných nádobách, aby se nedostaly do kontaktu s ostatními potravinami nebo na ně nemohly kapat.
- Je-li přístroj ponechán prázdný po dlouhou dobu:
 - Vypněte přístroj.
 - Odmrazte přístroj.
 - Vyčistěte a vysušte přístroj.
 - Nechejte dvířka otevřená, aby se zabránilo tvorbě plísní uvnitř přístroje.
- V případě, že je chladnička vystavena po delší dobu pokojové teplotě do +10 °C, nelze zaručit rovnoměrnou regulaci teploty v mrazicím boxu. To může vést ke zvýšení teploty v mrazicím boxu a rozmrazení skladovaného zboží.

Nebezpečí úrazu

- Při nesprávném použití může dojít k úplnému uvolnění dvířek přístroje nebo mrazničky. Dvířka přitlačte, abyste uslyšeli jasné cvaknutí nahoře a dole.
- Nenaklánějte se nad otevřená dvířka přístroje.

**POZOR! Nebezpečí poškození**

- Pokud dvířka nejsou správně zajištěna na opačné straně, zatlačte na této straně nahoře a dole, aby se zajistila na místě.
- Těžké předměty, např. láhve nebo plechovky, uchovávejte výhradně ve dvířkách přístroje, v přihrádce na potraviny nebo na spodní polici.
- Nepoužívejte uvnitř chladničky žádné elektrické přístroje, pouze pokud jsou k tomu takové přístroje doporučeny výrobcem.
- Neinstalujte přístroj v blízkosti otevřeného plamene nebo jiných tepelných zdrojů (topení, přímé sluneční záření, plynová kamna apod.).
- Zkontrolujte, zda nejsou zakryty ventilační otvory.
- Do vnitřní nádoby nelijte žádné kapaliny ani do ní nedávejte led.

- Příklad nikdy neponořujte do vody.
- Příklad a kabely chraňte před horkem a vlhkem.
- Pozor, aby se potraviny nedotýkaly stěn chladicího prostoru.



POZNÁMKA

- Požádejte svého výrobce vozidla, zda řízení baterie vašeho vozidla vypne přístroje k ochraně baterie.
- Dojde-li k delší době nepoužívání přístroje, umístěte dvířka přístroje a dvířka mrazničky do zimní polohy. Tak se zabrání tvorbě plísňe.
- Při okolní teplotě +15 °C až +25 °C zvolte průměrné nastavení teploty.

3 Instalace chladničky



UPOZORNĚNÍ! Nebezpečí ohrožení zdraví

Aby se zabránilo nebezpečí v důsledku nestability přístroje, je nutné jej upevnit v souladu s pokyny.



Návod s pokyny k výměně dveřní zarážky a ozdobné lišty najdete online na adrese:

documents.dometic.com/?object_id=63258

Příklad je vhodný pro:

- karavany,
- obytné vozy.

3.1 Příprava instalace



UPOZORNĚNÍ! Riziko zranění

Příklad má ostré hrany a během montáže je třeba používat rukavice.



POZOR! Nebezpečí poškození

- Chladničku není přípustné instalovat do zadní části obytného vozidla s dvířky orientovanými ve směru jízdy.
- Příklad ponechte ve svislé poloze alespoň 3 hodiny před prvním uvedením do provozu.



POZNÁMKA

- V obytných vozech lze instalovat podstavnou jednotku s dvířky ve směru jízdy, pokud se instaluje vedle posuvných dveří a za sedadlem spolujezdce.
- Pokud kompresorová chladnička nahrazuje absorpční jednotku, je nutné se ujistit, že vnější ventilační mřížky jsou zcela zavřené, jinak existuje riziko, že kompresor nebude při nízké okolní teplotě (~ pod 0 °C) fungovat.

Při montáži chladničky dodržujte následující pokyny:

- Ujistěte se, že podlaha je pevná a rovná.
K tomuto účelu zaparkujte vozidlo tak, aby bylo ve vodorovné poloze.
- Chladničku je nutné instalovat tak,
 - aby byla snadno přístupná pro servisní práce,
 - bylo ji možné snadno demontovat a namontovat,
 - a bez velkých nákladů z vozidla vyjmout.
- Chladničku musíte instalovat do výklenku tak, aby za pohybu vozidla zůstala pevně stát. Respektujte přitom rozměry na obr. **1**, strana 3 a obr. **2**, strana 4.
- Dodržujte také následující rozměr výklenku (obr. **3**, strana 5):

	RC10.4(S)(T).70	RC10.4(S)(T).90	RC10.4P.100
Výška chladničky (A)	821 mm	975 mm	900 mm
Šířka chladničky (B)	420 mm	420 mm	420 mm (zadní kompresor) 590 mm (boční kompresor)
Hloubka chladničky (C) (bez ovládacího knoflíku 5 mm)	450 mm	485 mm	655 mm (zadní kompresor) 485 mm (boční kompresor)
Výška výklenku (V)	823 mm	977 mm	902 mm
Šířka výklenku (Š)	425 mm	425 mm	425 mm (zadní kompresor) 595 mm (boční kompresor)
Hloubka výklenku (H)	452 mm	487 mm	657 mm (zadní kompresor) 487 mm (boční kompresor)

	RCL 10.4(S)(T)	RCD 10.5(S)(T)	RCD 10.5X(S)(T)
Výška chladničky (A)	1293 mm	1282 mm	1282 mm
Šířka chladničky (B)	420 mm	523 mm	523 mm
Hloubka chladničky (C) (bez ovládacího knoflíku 5 mm)	595 mm	565 mm	620 mm
Výška výklenku (V)	1296 mm	1285 mm	1285 mm
Šířka výklenku (Š)	425 mm	528 mm	528 mm
Hloubka výklenku (H)	598 mm	568 mm	623 mm

	RCS 10.5(S)(T)	RCS 10.5X(S)(T)
Výška chladničky (A)	821 mm	821 mm
Šířka chladničky (B)	523 mm	523 mm
Hloubka chladničky (C) (bez ovládacího knoflíku 5 mm)	555 mm	610 mm
Výška výklenku (V)	824 mm	824 mm
Šířka výklenku (Š)	528 mm	528 mm
Hloubka výklenku (H)	558 mm	613 mm

3.2 Instalace odvodu kondenzátu



POZNÁMKA

- Uvnitř chladničky se může vytvářet kondenzát, a to z důvodu častého otevírání dvířek, nesprávného uchování potravin nebo ukládání příliš teplých pokrmů.
- Kondenzát musí být sveden v konstantním spádu.

Odtok kondenzátu instalujte následovně:

- Vyved'te hadičku pro odtok kondenzátu z chladničky ven, a to otvorem v podlaze.

3.3 Připojení napájení



POZOR!

- Elektrická instalace a opravy musí být prováděny odborníkem v souladu s platnými národními předpisy a normami.
- Z důvodu zabránění ztrát napětí a výkonu používejte pokud možno co nejkratší nepřerušovaný kabel. Ze stejného důvodu nepoužívejte další spínače, zástrčky nebo zásuvkové rozbočky.
- Zkontrolujte před připojením, zda se provozní napětí shoduje s napětím baterie (viz typový štítek).

- Stanovte potřebný průřez kabelu v závislosti na délce kabelu podle obr. **4**, strana 5.
- Připojte kabely ke konektoru AMP chladničky (obr. **5**, strana 6).
- Připojte druhé konce kabelů k napájení 12 V --- :



POZOR!

- Pamatujte přitom na správnou polaritu.
 - Namontujte kabel s kladným pólem (+) s pojistkou 10 A.
- pokud možno přímo
 - rd (červená): chráněný pojistkou (10 A), namontovaný na kladný (+) pól
 - bk (černá): na záporný (-) pól

3.4 Upevnění chladničky



VÝSTRAHA! Nebezpečí požáru

- Při umístění přístroje se ujistěte, že není zachycen nebo poškozen přívodní kabel.
- Přenosné vícenásobné zásuvky nebo přenosné napájecí zdroje neumísťujte v zadní části přístroje.



UPOZORNĚNÍ!

K šroubování použijte pouze určené objímky, jinak hrozí poškození zapněných součástí, např. vedení.

**POZNÁMKA**

- Boční stěny nebo nasazené lišty upevněte tak, aby šrouby byly dotaženy i při zvýšeném namáhání (při jízdě).
- Chladnička je navržena tak, aby zajišťovala regulovaný proud vzduchu. Výrobce nedoporučuje ponechat další prostor mezi chladničkou a stěnami výklenku.

- ▶ Chladničku přemístěte do konečné polohy s čelní přírubou usazenou těsně na čelo výklenku.
- ▶ Šrouby (obr. **6**, strana 6) zašroubujte skrz plastové objímky v bočních stěnách chladničky a dále do stěny.
- ▶ Na hlavy šroubů nasadte krytky.

Montáž ovládacího panelu RC10.4P.100

- ▶ Ovládací panel namontujte podle obrázku (obr. **7**, strana 7).


4 Technické údaje


Aktuální prohlášení o shodě EU pro vaše zařízení naleznete na příslušné stránce produktu na dometic.com nebo kontaktujte přímo výrobce (viz dometic.com/dealer).


Tento přístroj vyhovuje předpisu UN ECE R10.

Obsahuje fluorované skleníkové plyny

Hermeticky uzavřeným zařízením

	RC10.4(S)(T).70	RC10.4(S)(T).90	RC10.4P.100
Obsah			
Obsah brutto:	62 l	86 l	94 l
Chladicí prostor:	54,5 l	75,5 l	81 l
Mrazicí box:	7,5 l	7,5 l	9 l
Celkový obsah netto:	62 l	83 l	90 l
Vyjmutí mrazicího boxu			
Obsah brutto:	69 l	90 l	98 l
Čistý objem:	64 l	85 l	93 l
Napájecí napětí:	12 V ⁼⁼⁼	12 V ⁼⁼⁼	12 V ⁼⁼⁼
Průměrný vstup napájení:	42 W	45 W	48 W
Spotřeba elektrické energie	0,45 kWh/24 h	0,45 kWh/24 h	0,48 kWh/24 h
Režim PERFORMANCE (VÝKON):	37,5 Ah/24 h	37,5 Ah/24 h	38 Ah/24 h
Klimatická třída:	T	T	T
Chladicí prostředek:	R134a/40 g	R134a/43 g	R134a/47 g
Ekvivalent CO ₂ :	0,057 t	0,061 t	0,065 t
Potenciál skleníkových plynů (GWP):	1430	1430	1430
Hlukové emise (EN60704)			
Režim PERFORMANCE (VÝKON):	42 dB(A)	42 dB(A)	42 dB(A)
Režim QUIET (TICHÝ):	39 dB(A)	39 dB(A)	39 dB(A)
Rozměry V x Š x H (v mm):	821 x 420 x 450	975 x 420 x 485	902 x 420 x 655 (zadní kompresor) 902 x 590 x 485 (boční kompresor)
Hmotnost:	19,5 kg	21,4 kg	21 kg
Zkouška/certifikát:			

	RCL 10.4(S)(T)	RCD 10.5(S)(T)	RCD 10.5X(S)(T)
Obsah			
Obsah brutto:	133 l	153 l	177 l
Chladicí prostor:	116 l	118 l	142 l
Mrazicí box:	12 l	29 l	35 l
Celkový obsah netto:	128 l	147 l	171 l
Vyjmutí mrazicího boxu			
Obsah brutto:	139 l	–	–
Čistý objem:	134 l	–	–
Napájecí napětí:	12 V ⁼⁼⁼	12 V ⁼⁼⁼	12 V ⁼⁼⁼
Průměrný vstup napájení:	54 W	54 W	54 W
Spotřeba elektrické energie	0,44 kWh/24 h	0,51 kWh/24 h	0,52 kWh/24 h
Režim PERFORMANCE (VÝKON):	37 Ah/24 h	43 Ah/24 h	44 Ah/24 h
Klimatická třída:	ST	ST	ST
Chladicí prostředek:	R134a / 40 g	R134a/44 g	R134a/44 g
Ekvivalent CO ₂ :	0,057 t	0,057 t	0,057 t
Potenciál skleníkových plynů (GWP):	1430	1430	1430
Hlukové emise (EN60704)			
Režim PERFORMANCE (VÝKON):	42 dB(A)	42 dB(A)	42 dB(A)
Režim QUIET (TICHÝ):	39 dB(A)	39 dB(A)	39 dB(A)
Rozměry V x Š x H (v mm):	1293 x 420 x 595	1282 x 523 x 565	1282 x 523 x 620
Hmotnost:	32 kg	36,5 kg	39,5 kg
Zkouška/certifikát:			

	RCS 10.5(S)(T)	RCS10.5X(S)(T)
Obsah		
Obsah brutto:	78 l	92 l
Chladicí prostor:	69,1 l	80,3 l
Mrazicí box:	9,2 l	12,1 l
Celkový obsah netto:	78 l	92 l
Vyjmutí mrazicího boxu		
Obsah brutto:	83 l	98 l
Čistý objem:	83 l	98 l
Napájecí napětí:	12 V	12 V
Průměrný vstup napájení:	5,9 A	5,5 A
Spotřeba elektrické energie Režim PERFORMANCE (VÝKON):	1,46 Ah/h	1,48 Ah/h
Klimatická třída:	N, ST	N, ST
Chladicí prostředek:	R600a / 24 g	R600a / 23 g
Ekvivalent CO ₂ :	0,000072 t	0,000069 t
Potenciál skleníkových plynů (GWP):	3	3
Hlukové emise (EN60704) Se vzduchovým kanálem:		
Režim PERFORMANCE (VÝKON):	44 dB(A)	44 dB(A)
Režim QUIET (TICHÝ):	39 dB(A)	39 dB(A)
Bez vzduchového kanálu:		
Režim PERFORMANCE (VÝKON):	42 dB(A)	42 dB(A)
Režim QUIET (TICHÝ):	38 dB(A)	38 dB(A)
Rozměry V x Š x H (v mm):	821 x 523 x 555	821 x 523 x 610
Hmotnost:	24,5 kg	25 kg
Zkouška/certifikát:		

A termék mindenkor szakszerű telepítése, használata és karbantartása érdekében kérjük figyelmesen olvassa el az ebben a termék kézikönyvben található utasításokat, irányelveket és figyelmeztetéseket, valamint mindig tartsa be ezeket. Ezt az útmutatót a termék közelében KELL tartani.

A termék használatba vételével Ön kijelenti hogy figyelmesen elolvasta az összes utasítást, irányelvet és figyelmeztetést, valamint megértette és elfogadja az itt leírt szerződési feltételeket. Ön elfogadja, hogy kizárólag a rendeltetésének megfelelő célra és a jelen termék kézikönyvben leírt útmutatásoknak, irányelveknek és figyelmeztetéseknek, valamint a hatályos törvényeknek és szabályozásoknak megfelelően használja ezt a terméket. Az itt leírt utasítások és figyelmeztetések elolvasásának és betartásának elmulasztása saját és mások sérüléséhez, a termék vagy a közelben található más anyagi javak károsodásához vezethet. Ez a termék kézikönyv és a benne található utasítások, irányelvek és figyelmeztetések, valamint a kapcsolódó dokumentációk módosulhatnak és frissülhetnek. Naprakész termékinformációk érdekében kérjük látogasson el a következő honlagra: www.dometic.com.

Tartalomjegyzék

1	Szimbólumok magyarázata	203
2	Biztonsági útmutatások	203
3	A hűtőszekrény beépítése	208
4	Műszaki adatok	212

1 Szimbólumok magyarázata



FIGYELMEZTETÉS!

Biztonsági megjegyzés olyan veszélyes helyzetre vonatkozóan, amely halált vagy súlyos sérülést okozhat, ha nem kerülik el.



VIGYÁZAT!

Biztonsági megjegyzés olyan veszélyes helyzetre vonatkozóan, amely könnyű vagy közepesen súlyos sérülést okozhat, ha nem kerülik el.



FIGYELEM!

Felhívás olyan helyzetre, amely dologi kárt okozhat, ha nem kerülik el.



MEJEGYZÉS

A termék kezelésére vonatkozó kiegészítő információk.

2 Biztonsági útmutatások

A gyártó a bekövetkező károkért a következő esetekben nem vállal felelősséget:

- szerelési vagy csatlakozási hiba

- a termék mechanikai behatások és helytelen csatlakozási feszültség miatti károsodása
- a termék kifejezett gyártói engedély nélküli módosítása
- az útmutatóban leírt céloktól eltérő felhasználás

2.1 Alapvető biztonság



FIGYELMEZTETÉS! Ezeknek a figyelmeztetéseknek a figyelmen kívül hagyása súlyos sérüléshez vagy halálhoz vezethet.

Áramütés miatti életveszély

- Gondoskodjon róla, hogy a készüléket egy szakképzett technikus szerelje be a Dometic telepítési kézikönyv alapján.
- Ha a készüléken látható sérülések vannak, akkor a készüléket nem szabad üzembe helyezni.
- Ha a készülék csatlakozókábele megsérült, akkor a veszélyek elkerülése érdekében a gyártóval, a vevőszolgálattal vagy egy hasonlóan képzett szakemberrel kell kicseréltetni ezt.
- Javításokat csak szakemberek végezhetnek a készüléken. A szakszerűtlen javítások jelentős veszélyeket okozhatnak.

Robbanásveszély

- Tilos a készülékben robbanékony anyagokat, például hajtógázt tartalmazó permetpalackokat tárolni.

Egészségkárosodás veszélye

- A készüléket 8 év feletti gyermekek, valamint korlátozott fizikai, érzékelési és mentális képességű, illetve megfelelő tapasztalattal és tudással nem rendelkező személyek csak felügyelet mellett, illetve a készülék biztonságos használatát és az abból eredő veszélyeket megértve használhatják.
- A készülékkel gyerekek nem játszhatnak.
- A tisztítást és a felhasználói karbantartást felügyelet nélküli gyermekek nem végezhetik.
- A 3 és 8 év közötti gyermekek már kivehetnek és berakhatnak élelmiszereket a hűtőkészülékekbe.

Gyermekcsapda

- Gondoskodjon róla, hogy a polcok beszerelésének és rögzítésének módja révén a gyermekek ne tudják bezárni magukat a készülékbe.

- A régi hűtőkészülék ártalmatlanítása előtt:
 - Szerelje ki a fiókot.
 - Hagyja a polcokat a hűtőszekrényben, hogy gyermekek ne mászhassanak bele.



VIGYÁZAT! Ezeknek a felhívásoknak a figyelmen kívül hagyása könnyű vagy mérsékelt sérüléshez vezethet.

Zúzóadásveszély

- Ne nyúljon a zsanérok közé.

Egészségkárosodás veszélye

- Élelmiszert csak eredeti csomagolásban vagy megfelelő tárolókban szabad tárolni.



FIGYELEM! Károsodás veszélye

- Hasonlítsa össze a típustáblán szereplő feszültségadatokat a rendelkezésre álló energiaellátással.
- Amennyiben járműve nem rendelkezik akkumulátor alacsony feszültség szétkapcsolással, válassza le a készüléket, vagy kapcsolja ki azt, ha leállítja a motort. Ellenkező esetben a járműakkumulátor lemerülhet.
- A készülék nem alkalmas maró hatású vagy oldószert tartalmazó anyagok tárolására.
- Mindig tartsa tisztán a lefolyónyílást.
- Semmilyen esetben ne nyissa ki a hűtőkört.
- Ne szállítsa a készüléket vízszintes helyzetben, mivel így kifolyhat az olaj a kompresszorból és károsodhat a hűtőkör.
- A szállítás során ügyeljen arra, hogy ne sérüljön meg a hűtőkör. A hűtőkörben található hűtőközeg gyúlékony. A hűtőkör sérülése esetén:
 - Kerülje a nyílt lángot és a gyújtószikrákat.
 - Szellőztesse ki jól a helyiséget.
- A készüléket száraz és fröccsenő víz ellen védett helyen állítsa fel.

2.2 Biztonság a készülék üzemeltetése során



VESZÉLY! Ezeknek a figyelmeztetéseknek a figyelmen kívül hagyása súlyos vagy halálos sérüléshez vezet.

Áramütés miatti életveszély

- Soha ne fogjon meg puszta kézzel csupasz vezetékeket.

**VIGYÁZAT! Ezeknek a felhívásoknak a figyelmen kívül hagyása könnyű vagy mérsékelt sérüléshez vezethet.****Áramütés miatti veszély**

- Üzembe helyezés előtt ügyeljen arra, hogy a vezeték és a dugasz száraz legyen.

Egészségkárosodás veszélye

- Ügyeljen arra, hogy csak olyan tárgyak, illetve áruk legyenek a készülékben, amelyek lehűthetők a kiválasztott hőmérsékletre.
- Élelmiszert csak eredeti csomagolásban vagy megfelelő tárolóedényekben szabad tárolni.
- Ha hosszabb időszakokra kinyitja az ajtót, azzal jelentősen megnövekedhet a hőmérséklet a készülék rekeszeiben.
- Tisztítsa meg rendszeresen az élelmiszerral érintkező felületeket és a hozzáférhető lefolyórendszereket.
- Annak érdekében, hogy a nyers hús és hal ne érhesen hozzá vagy ne csepegjen rá más élelmiszerekre, megfelelő tárolóedényekben tartsa ezeket a készülékben.
- Ha hosszú időre üresen hagyja a készüléket:
 - Kapcsolja ki a készüléket.
 - Olvassa le a készüléket.
 - Tisztítsa meg és szárítsa meg a készüléket.
 - A készülék belsejében történő penészképződés elkerülése érdekében hagyja nyitva az ajtót.
- Ha a hűtőszekrény hosszabb ideig +10 °C alatti szobahőmérsékleten van, akkor nem garantálható a fagyasztórekesz hőmérsékletének egyenletes szabályozása. Ez a fagyasztórekesz hőmérsékletének megemelkedését és a behelyezett áruk felolvadását okozhatja.

Sérülésveszély

- Nem megfelelő használat mellett a készülék ajtaja, illetve a fagyasztórekesz ajtaja teljesen leválhat a készülékről. Addig nyomja az ajtókat, amíg nem hallja egyértelműen, hogy az alul és felül a helyére pattantak.
- Ne támaszkodjon rá a kinyitott készülékajtóra.

**FIGYELEM! Károsodás veszélye**

- Ha az ajtó nincs megfelelően reteszelve a szemben lévő oldalon, addig nyomja azon az oldalon az alsó és felső részét, amíg nem rögzül a helyén.

- A nehéz tárgyakat, pl. palackokat, vagy dobozokat kizárólag a készülék ajtajában, a zöldségrekeszben, vagy az alsó polcon tárolja.
- Ne használjon elektromos készülékeket a hűtőkészülék belsejében, kivéve, ha ezeket a készülékeket a gyártó erre a célra javasolja.
- Ne helyezze a készüléket nyílt láng vagy más hőforrás közelébe (fűtés, erős napsugárzás, gáztűzhely stb.).
- Győződjön meg arról, hogy a szellőzőnyílások nincsenek lefedve.
- Ne töltsön folyadékot vagy jeget a belső tartályba.
- Soha ne merítse vízbe a készüléket.
- Védje a készüléket és a kábeleket a hőtől és a nedvességtől.
- Ügyeljen arra, hogy az élelmiszerek ne érjenek hozzá a hűtőtér falaihoz.



MEGJEGYZÉS

- Kérdezze meg a jármű gyártóját, hogy járműve akkumulátorkezelő rendszere az akkumulátor védelme érdekében kikapcsolja-e a készülékeket.
- Ha hosszabb ideig nem szándékozik használni a készüléket, akkor állítsa a készülék és a fagyasztó ajtaját téli helyzetbe. Így elkerülhető a bepenészedés.
- +15 °C és +25 °C közötti környezeti hőmérséklet esetén válassza az átlagos hőmérséklet beállítását.

3 A hűtőszekrény beépítése



VIGYÁZAT! Egészségkárosodás veszélye

A készülék instabilitása miatti kockázatok elkerülése érdekében az utasításoknak megfelelően rögzíteni kell azt.



Az ajtóütköző és a dekorlapok cseréjéhez az útmutatót online találja:

documents.dometic.com/?object_id=63258

A készülék a következő helyekre szerelhető be:

- lakókocsik
- lakóautók

3.1 A beszerelés előkészítése



VIGYÁZAT! Sérülés kockázata

Az eszköz éles peremekkel rendelkezik és beszereléskor kesztyűt kell használni.



FIGYELEM! Károsodás veszélye

- A hűtőszekrény nem telepíthető lakóautók hátsó részében, úgy hogy az ajtaja menetirányba néz.
- Az első elindítás előtt legalább 3 órán át hagyja függőleges helyzetben állni a készüléket.



MEGJEGYZÉS

- Amíg a beszerelés a tolóajtó mellé és az utasülés mögé történik, lakóautókban olyan pult alatti egységet is be lehet szerelni, amelynek az ajtója a menetirányba néz.
- Ha az abszorpciós egységet kompresszoros hűtőszekrény helyettesíti, gondoskodjon róla, hogy a külső szellőzőrácsok teljesen be legyenek zárva, ellenkező esetben fennáll a veszélye, hogy alacsony környezeti hőmérséklet (~0 °C alatt) a kompresszor nem fog üzemelni.

A hűtőszekrény beszerelése során vegye figyelembe a következő megjegyzéseket:

- Biztosítsa, hogy a talaj szilárd és sík legyen.
Ezért egyenletes, vízszintes talajon parkoljon le a járművel.
- A hűtőszekrényt úgy kell telepíteni, hogy
 - szervizeléshez könnyen hozzá lehessen férni
 - könnyű legyen le- és visszaszerelni
 - könnyen el lehessen távolítani a járműből
- A hűtőszekrényt valamilyen bemélyedésbe kell beszerelni, hogy a jármű mozgása során stabilan álljon. Ehhez vegye figyelembe az **1**. ábra, 3. oldal és a **2**. ábra, 4. oldal ábrán látható méreteket.
- Vegye figyelembe a következő bemélyedés méreteket is (**3**. ábra, 5. oldal):

	RC10.4(S)(T).70	RC10.4(S)(T).90	RC10.4P.100
Hűtőszekrény magassága (A)	821 mm	975 mm	900 mm
Hűtőszekrény szélessége (B)	420 mm	420 mm	420 mm (hátsó kompresszor) 590 mm (oldalsó kompresszor)
Hűtőszekrény mélysége (C) (az 5 mm-es vezérlőgomb nélkül)	450 mm	485 mm	655 mm (hátsó kompresszor) 485 mm (oldalsó kompresszor)
Bemélyedés magassága (H)	823 mm	977 mm	902 mm
Bemélyedés szélessége (W)	425 mm	425 mm	425 mm (hátsó kompresszor) 595 mm (oldalsó kompresszor)
Bemélyedés mélysége (D)	452 mm	487 mm	657 mm (hátsó kompresszor) 487 mm (oldalsó kompresszor)

	RCL 10.4(S)(T)	RCD 10.5(S)(T)	RCD 10.5X(S)(T)
Hűtőszekrény magassága (A)	1293 mm	1282 mm	1282 mm
Hűtőszekrény szélessége (B)	420 mm	523 mm	523 mm
Hűtőszekrény mélysége (C) (az 5 mm-es vezérlőgomb nélkül)	595 mm	565 mm	620 mm
Bemélyedés magassága (H)	1296 mm	1285 mm	1285 mm
Bemélyedés szélessége (W)	425 mm	528 mm	528 mm
Bemélyedés mélysége (D)	598 mm	568 mm	623 mm

	RCS 10.5(S)(T)	RCS 10.5X(S)(T)
Hűtőszekrény magassága (A)	821 mm	821 mm
Hűtőszekrény szélessége (B)	523 mm	523 mm
Hűtőszekrény mélysége (C) (az 5 mm-es vezérlőgomb nélkül)	555 mm	610 mm
Bemélyedés magassága (H)	824 mm	824 mm
Bemélyedés szélessége (W)	528 mm	528 mm
Bemélyedés mélysége (D)	558 mm	613 mm

3.2 Kondenzvíz-elvezető cső beszerelése



MEGJEGYZÉS

- A gyakori ajtónyitás, a nem megfelelően tárolt élelmiszerek és a behelyezéskor túlságosan meleg ételek miatt kondenzáció képződhet a hűtőszekrény belsejében.
- A kondenzvizet állandó lejtés mellett szükséges elvezetni.

Szerelje be a kondenzvíz-elvezető csövet az alábbi módon:

- ▶ Vezesse kívülre a kondenzvíz-tömlőt a hűtőszekrénytől a padló nyílásán át.

3.3 Áramellátás csatlakoztatása



FIGYELEM!

- Az elektromos telepítési és javítási munkákat a hatályos országos előírások és szabványok betartása mellett kizárólag villanyszerelő szakember végezheti el.
- Feszültség-, és ezzel teljesítményveszteségek elkerülése érdekében a csatlakozókábelt lehetőleg röviden és megszakításmentesen kell kialakítani. Emiatt célszerű elkerülni kiegészítő kapcsolók, dugaszok vagy elosztóaljzatok használatát.
- A készülék csatlakoztatása előtt ellenőrizze, hogy az üzemi feszültség és az akkumulátorfeszültség egyezik-e (lásd a típustáblát).

- ▶ A kábel szükséges keresztmetszetét a kábelhossz függvényében határozza meg a következő szerint: **4**. ábra, 5. oldal.
- ▶ Csatlakoztassa a kábeleket a hűtőszekrény AMP csatlakozójához (**5**. ábra, 6. oldal).
- ▶ Csatlakoztassa a kábel másik végét egy 12 V \equiv konnektorhoz:



FIGYELEM!

- Ennek során ügyeljen a helyes polarításra.
- A pozitív (+) kábelt lássa el egy 10 A-es biztosítékkal.

- a lehető legközelebb
- rd (piros): védő biztosítékkal (10 A) a pozitív (+) sarokra kapcsolva
- bk (fekete): a negatív (–) sarokra kapcsolva

3.4 A hűtőszekrény rögzítése



FIGYELMEZTETÉS! Tűzveszély

- A készülék elhelyezésekor ügyeljen arra, hogy ne csipje be és ne károsítsa a tápkábelt.
- Ne helyezzen el több hordozható aljzatot, vagy hordozható tápegységet a készülék hátsó részénél.



VIGYÁZAT!

A furatokat minden esetben az erre a célra szolgáló perselyekbe készítse, ellenkező esetben a habanyaggal rögzített alkatrészek, például a kábelek megsérülhetnek.



MEGJEGYZÉS

- Az oldalfalakat vagy a felszerelt léceket úgy rögzítse, hogy a csavarok erősebb igénybevétel esetén (menet közben) is szilárdan rögzítsenek.
- A hűtőszekrény szabályozott levegőáramlást biztosít. A gyártó nem javasolja további hely kihagyását a hűtőszekrény és a falkivágások között.

- Mozgassa a hűtőszekrényt a végleges helyére, az első perem szorosan illeszkedjen a bemélyedés elő részéhez.
- A hűtőszekrény oldalfalában található műanyag perselyen át tekerje be a csavarokat (6. ábra, 6. oldal) a fülke falába.
- Helyezze fel a fedőkupakokat a csavarfejekre.

Az RC 10.4P.100 modell vezérlőpaneljének felszerelése

- Az ábrán (7. ábra, 7. oldal) látható módon szerelje fel a vezérlőpanelt.


4 Műszaki adatok


Készüléke aktuális EU megfelelőségi nyilatkozatát a dometic.com honlap megfelelő termékoldalán találhatja meg, vagy vegye fel közvetlenül a kapcsolatot a gyártóval (lásd dometic.com/dealer).


Ez a készülék megfelel az UN ECE R10 szabályozásnak.

Fluorozott üvegházgázokat tartalmaz

Hermetikusan zárt berendezés

	RC10.4(S)(T).70	RC10.4(S)(T).90	RC10.4P.100
Kapacitás			
Bruttó kapacitás:	62 l	86 l	94 l
Hűtőrekesz:	54,5 l	75,5 l	81 l
Fagyasztórekesz:	7,5 l	7,5 l	9 l
Teljes nettó kapacitás:	62 l	83 l	90 l
Fagyasztórekesz nélkül			
Bruttó kapacitás:	69 l	90 l	98 l
Nettó úrtartalom:	64 l	85 l	93 l
Csatlakozási feszültség:	12 V \equiv	12 V \equiv	12 V \equiv
Átlagos áramfelvétel:	42 W	45 W	48 W
Energiafogyasztás TELJESÍTMÉNY üzemmód:	0,45 kWh/24 h 37,5 Ah/24 h	0,45 kWh/24 h 37,5 Ah/24 h	0,48 kWh/24 h 38 Ah/24 h
Klímaosztály:	T	T	T
Hűtőanyag:	R134a/40 g	R134a/43 g	R134a/47 g
CO ₂ -egyenérték:	0,057 t	0,061 t	0,065 t
Üvegház-potenciál (GWP):	1430	1430	1430
Zajkibocsátás (EN60704) TELJESÍTMÉNY üzemmód: QUIET üzemmód:	42 dB(A) 39 dB(A)	42 dB(A) 39 dB(A)	42 dB(A) 39 dB(A)
Méreték, szélesség x magasság x mélység (mm-ben):	821 x 420 x 450	975 x 420 x 485	902 x 420 x 655 (hátsó kompresszor) 902 x 590 x 485 (oldalsó kompres- zor)
Súly:	19,5 kg	21,4 kg	21 kg
Vizsgálat/tanúsítvány:			

	RCL 10.4(S)(T)	RCD 10.5(S)(T)	RCD 10.5X(S)(T)
Kapacitás			
Bruttó kapacitás:	133 l	153 l	177 l
Hűtőrekesz:	116 l	118 l	142 l
Fagyasztórekesz:	12 l	29 l	35 l
Teljes nettó kapacitás:	128 l	147 l	171 l
Fagyasztórekesz nélkül			
Bruttó kapacitás:	139 l	–	–
Nettó úrtartalom:	134 l	–	–
Csatlakozási feszültség:	12 V \equiv	12 V \equiv	12 V \equiv
Átlagos áramfelvétel:	54 W	54 W	54 W
Energiafogyasztás TELJESÍTMÉNY üzemmód:	0,44 kWh/24 h 37 Ah/24 h	0,51 kWh/24 h 43 Ah/24 h	0,52 kWh/24 h 44 Ah/24 h
Klímaosztály:	ST	ST	ST
Hűtőanyag:	R134a / 40 g	R134a/44 g	R134a/44 g
CO ₂ -egyenérték:	0,057 t	0,057 t	0,057 t
Üvegház-potenciál (GWP):	1430	1430	1430
Zajkibocsátás (EN 60704) TELJESÍTMÉNY üzemmód: QUIET üzemmód:	42 dB(A) 39 dB(A)	42 dB(A) 39 dB(A)	42 dB(A) 39 dB(A)
Méretek, szélesség x magasság x mélység (mm-ben):	1293 x 420 x 595	1282 x 523 x 565	1282 x 523 x 620
Súly:	32 kg	36,5 kg	39,5 kg
Vizsgálat/tanúsítvány:			

	RCS 10.5(S)(T)	RCS10.5X(S)(T)
Kapacitás		
Bruttó kapacitás:	78 l	92 l
Hűtőrekesz:	69,1 l	80,3 l
Fagyasztórekesz:	9,2 l	12,1 l
Teljes nettó kapacitás:	78 l	92 l
Fagyasztórekesz nélkül		
Bruttó kapacitás:	83 l	98 l
Nettó úrtartalom:	83 l	98 l
Csatlakozási feszültség:	12 V	12 V
Átlagos áramfelvétel:	5,9 A	5,5 A
Energiafogyasztás		
TELJESÍTMÉNY üzemmód:	1,46 Ah/h	1,48 Ah/h
Klímaosztály:	N, ST	N, ST
Hűtőanyag:	R600a / 24 g	R600a / 23 g
CO ₂ -egyenérték:	0,000072 t	0,000069 t
Üvegház-potenciál (GWP):	3	3
Zajkibocsátás (EN 60704)		
Levegőcsatornával:		
TELJESÍTMÉNY üzemmód:	44 dB(A)	44 dB(A)
QUIET üzemmód:	39 dB(A)	39 dB(A)
Levegőcsatorna nélkül:		
TELJESÍTMÉNY üzemmód:	42 dB(A)	42 dB(A)
QUIET üzemmód:	38 dB(A)	38 dB(A)
Méretek, szélesség x magasság x mélység (mm-ben):	821 x 523 x 555	821 x 523 x 610
Súly:	24,5 kg	25 kg
Vizsgálat/tanúsítvány:		

Pozorno preberite in upoštevajte vsa navodila, smernice in opozorila iz tega priročnika, da zagotovite pravilno vgradnjo, uporabo in vzdrževanje izdelka. Ta navodila je TREBA hraniti skupaj z izdelkom.

Z uporabo izdelka potrjujete, da ste pozorno prebrali vsa navodila, smernice in opozorila ter razumete in upoštevate vsa določila ter pogoje v tem dokumentu. Strinjate se, da boste izdelek uporabljali samo za predvideni namen uporabe in v skladu z navodili, smernicami in opozorili v tem priročniku ter v skladu z vsemi veljavnimi zakoni in predpisi. Če navodil in opozoril v nadaljevanju ne preberete in ne upoštevate, boste morda poškodovali izdelek ali povzročili materialno škodo v bližini. Pridržujemo si pravico do sprememb in posodobitev priročnika, vključno z navodili, smernicami in opozorili ter povezano dokumentacijo. Za najnovejše informacije o izdelku obiščite www.dometic.com.

Kazalo

1	Razlaga simbolov	216
2	Varnostni napotki	217
3	Vgradnja hladilnika	221
4	Tehnični podatki	225

1 Razlaga simbolov



OPOZORILO!

Varnostni napotek opozarja na nevarno situacijo, ki lahko povzroči smrt ali hude poškodbe, če ni preprečena.



POZOR!

Varnostni napotek opozarja na nevarno situacijo, ki lahko povzroči lažjo ali srednje hudo poškodbo, če ni preprečena.



OBVESTILO!

Napotek na situacijo, ki lahko povzroči materialno škodo, če ni preprečena.



NASVET

Dopolnilne informacije za upravljanje izdelka.

2 Varnostni napotki

Proizvajalec ne prevzame odgovornosti za škode v naslednjih primerih:

- napake pri montaži ali priključitvi
- poškodbe izdelka zaradi mehanskih vplivov in nepravilna priključna napetost
- spremembe na proizvodu brez izrecnega dovoljenja proizvajalca
- uporaba v druge namene, kot so opisani v navodilih

2.1 Osnovna varnost



OPOZORILO! Neupoštevanje teh opozoril lahko povzroči smrt ali hude poškodbe.

Nevarnost električnega udara

- Poskrbite, da bo napravo montiral kvalificirani tehnik v skladu z Dometicovimi navodili za montažo.
- Če na napravi opazite vidne znake poškodb, je ne uporabljajte.
- Če je napajalni kabel te naprave poškodovan, ga mora zamenjati proizvajalec, njegova servisna služba oziroma ustrezno usposobljena oseba ali služba. V nasprotnem primeru obstaja nevarnost za uporabnika.
- Vsa popravila na tej napravi naj izvaja samo ustrezno usposobljeno osebe. Neustrezna popravila lahko povzročijo resne nevarnosti.

Nevarnost eksplozije

- V napravi ne hranite eksplozivnih snovi, npr. razpršilnikov s potisnim plinom.

Nevarnost za zdravje

- To napravo smejo uporabljati otroci, ki so starejši od 8 let, in osebe z zmanjšanimi fizičnimi, zaznavnimi ali duševnimi sposobnostmi ali s pomanjkljivimi izkušnjami in znanjem, če so nadzorovani ali so prejeli navodila glede varne uporabe naprave in razumejo s tem povezana tveganja.
- Otroci se z napravo ne smejo igrati.
- Otroci ne smejo brez nadzora izvajati čiščenja in vzdrževalnih del, ki jih sme izvajati uporabnik.
- Otroci, ki so stari od 3 do 8 let, smejo hladilne naprave polniti in prazniti.

Past za otroke

- Prepričajte se, da so police nameščene in zavarovane, da se otroci ne bodo mogli zapreti v napravo.
- Preden odstranite svoj stari hladilnik:
 - Odstranite predale.
 - Police pustite v hladilniku, da otroci ne bodo mogli zlesti v hladilnik.

**POZOR! Neupoštevanje teh svaril lahko povzroči lažje ali srednje poškodbe.****Nevarnost zmečkanja**

- Ne vstavljajte prstov v tečaj.

Nevarnost za zdravje

- Živila smete shranjevati samo v originalni embalaži oziroma v ustreznih posodah.

**OBVESTILO! Nevarnost poškodb**

- Primerjajte podatke o napetosti na tipski ploščici z dejanskim razpoložljivim energetskega napajanjem.
- Če vaše vozilo nima podnapetostne zaščite akumulatorja, napravo odklopite ali jo izklopite, ko izklopite motor. V nasprotnem primeru se lahko izprazni akumulator vozila.
- Ta naprava ni primerna za shranjevanje jedkih snovi ali snovi, ki vsebujejo topila.
- Odtočna odprtina mora biti vedno čista.
- Nikoli ne odpirajte hladilnega krogotoka.
- Naprave ne prevažajte v vodoravnem položaj, da ne bo olje izteklo iz kompresorja, zaradi česar se lahko poškoduje hladilni krogotok.
- Med prevozom pazite, da ne boste poškodovali hladilnega krogotoka. Hladilno sredstvo v hladilnem krogotoku je zelo vnetljivo. Če se hladilni krogotok poškoduje:
 - Ne izpostavljajte odprtemu ognju in iskrenju.
 - Prostor dobro prezračite.
- Napravo postavite v suh prostor, kjer je zaščitena pred škropljenjem vode.

2.2 Varnost pri delovanju naprave



NEVARNOST! Neupoštevanje teh opozoril povzroči smrt ali hude poškodbe.

Nevarnost električnega udara

- Nezaščitenih električnih vodnikov se nikoli ne dotikajte z golimi rokami.



POZOR! Neupoštevanje teh svaril lahko povzroči lažje ali srednje poškodbe.

Nevarnost električnega udara

- Pred vklopom naprave vedno preverite, ali sta vtič in priključni kabel suha.

Nevarnost za zdravje

- Poskrbite, da bodo v napravi samo predmeti, ki jih je dovoljeno hladiti na izbrano temperaturo.
- Živila je dovoljeno shranjevati samo v originalni embalaži oziroma v ustreznih posodah.
- Če so vrata dlje časa odprta, lahko zaradi tega temperatura v notranjosti naprave zelo naraste.
- Redno čistite površine, ki lahko pridejo v stik z živili, in dostopne odtočne sisteme.
- Surovo meso in ribe v napravi hranite v primernih posodah, da ne bodo v stiku z drugimi živili ali nanje ne bodo kapljali.
- Če bo naprava dlje časa prazna:
 - Izklopite napravo.
 - Odtalite napravo.
 - Očistite in posušite napravo.
 - Pustite vrata odprta in tako preprečite, da v napravi ne bi nastajala plesen.
- Če je hladilnik dlje časa izpostavljen temperaturi prostora pod +10 °C, ni mogoče zagotoviti enakomernega uravnavanja temperature v zamrzovalnem predalu. Zato lahko pride do dviga temperature v zamrzovalnem predalu, shranjena živila pa se lahko odtalijo.

Nevarnost poškodb

- Vrata naprave ali zamrzovalnika se ob napačni uporabi lahko v celoti snamejo. Zaprite vrata, dokler zgoraj in spodaj ne zaslišite glasnega klika.
- Ne opirajte se na odprta vrata naprave.

**OBVESTILO! Nevarnost poškodb**

- Če vrata na nasprotni strani niso pravilno zapahnjena, jih na tisti strani potisnite zgoraj in spodaj, dokler se ne zaskočijo na mestu.
- Težke predmete, kot so steklenice ali pločevinke, hranite izključno v vratih naprave, v predalu za zelenjavo ali na spodnji polici.
- Znotraj hladilne naprave ne uporabljajte električnih naprav, razen če te električne naprave priporoča proizvajalec.
- Naprave ne postavite v bližino odprtega ognja ali drugih toplotnih virov (grelniki, plinske peči itd.).
- Prezračevalne odprtine ne smejo biti pokrite.
- V notranjo posodo ne nalivajte tekočin in v njej ne shranjujte ledu.
- Naprave ne namakajte v vodo.
- Napravo in kable zaščitite pred vročino in vlago.
- Pazite, da se hrana ne bo dotikala sten prostora za hlajenje.

**NASVET**

- Obrnite se na proizvajalca vašega vozila, če sistem za nadzor akumulatorja izklopi naprave, da bi zaščitil akumulator.
- Vrata naprave in zamrzovalnika namestite v položaj za delovanje pozimi, če hladilnika dlje časa ne boste uporabljali. Tako preprečite nastanek plesni.
- Pri temperaturah prostora od +15 °C do +25 °C izberite povprečno nastavitev temperature.

3 Vgradnja hladilnika



POZOR! Nevarnost za zdravje

Da bi preprečili nevarnost zaradi nestabilnosti naprave, jo je treba pritrditi v skladu s temi navodili.



Priročnik za zamenjavo vratnega zapirala in dekorativne plošče je na voljo na spletu na naslovu:

documents.dometic.com/?object_id=63258

Ta naprava je primerna za namestitev v:

- prikolicah;
- avtodomih.

3.1 Priprava vgradnje



POZOR! Nevarnost poškodb

Naprava ima ostre robove, zato je treba med vgradnjo nositi rokavice.



OBVESTILO! Nevarnost poškodb

- Hladilnika ni dovoljeno vgraditi v zadnji del avtodoma z vrati obrnjenimi v smeri vožnje.
- Napravo pustite v pokončnem položaju vsaj 3 ure, preden jo prvič zaženete.



NASVET

- V počitniških prikolicah je mogoče podpultno napravo namestiti z vrati proti smeri vožnje, če je nameščena ob drsnih vratih in za sopotnikovim sedežem.
- Če boste s kompresorskim hladilnikom zamenjali absorpcijsko hladilno napravo, morate zagotoviti, da bodo zunanje prezračevalne rešetke popolnoma zaprte, sicer obstaja nevarnost, da kompresor ne bo deloval pri nizkih temperaturah okolice (~pod 0 °C).

Pri vgradnji hladilnika upoštevajte naslednje napotke:

- Tla morajo biti trdna in ravna.
Zato vozilo parkirajte na ravnem terenu.
- Hladilnik je treba vgraditi tako, da
 - je dobro dostopen za servisiranje;
 - ga je mogoče z lahkoto demontirati in vgraditi;
 - ga je mogoče brez težav odnesti iz vozila.
- Hladilnik mora biti vgrajen v nišo, da pri premikanju vozila ostane na mestu. Pri tem upoštevajte mere na sl. **1**, stran 3 in sl. **2**, stran 4.
- Upoštevajte tudi mere niše (sl. **3**, stran 5):

	RC10.4(S)(T).70	RC10.4(S)(T).90	RC10.4P.100
Višina hladilnika (A)	821 mm	975 mm	900 mm
Širina hladilnika (B)	420 mm	420 mm	420 mm (zadnji kompresor) 590 mm (stranski kompresor)
Globina hladilnika (C) (ne vključuje upravljalnega gumba 5 mm)	450 mm	485 mm	655 mm (zadnji kompresor) 485 mm (stranski kompresor)
Višina niše (H)	823 mm	977 mm	902 mm
Širina niše (W)	425 mm	425 mm	425 mm (zadnji kompresor) 595 mm (stranski kompresor)
Globina niše (D)	452 mm	487 mm	657 mm (zadnji kompresor) 487 mm (stranski kompresor)

	RCL 10.4(S)(T)	RCD 10.5(S)(T)	RCD 10.5X(S)(T)
Višina hladilnika (A)	1293 mm	1282 mm	1282 mm
Širina hladilnika (B)	420 mm	523 mm	523 mm
Globina hladilnika (C) (ne vključuje upravljalnega gumba 5 mm)	595 mm	565 mm	620 mm
Višina niše (H)	1296 mm	1285 mm	1285 mm
Širina niše (W)	425 mm	528 mm	528 mm
Globina niše (D)	598 mm	568 mm	623 mm

	RCS 10.5(S)(T)	RCS 10.5X(S)(T)
Višina hladilnika (A)	821 mm	821 mm
Širina hladilnika (B)	523 mm	523 mm
Globina hladilnika (C) (ne vključuje upravljalnega gumba 5 mm)	555 mm	610 mm
Višina niše (H)	824 mm	824 mm
Širina niše (W)	528 mm	528 mm
Globina niše (D)	558 mm	613 mm

3.2 Vgradnja kondenzacijskega odtoka



NASVET

- V hladilniku se lahko zaradi pogostega odpiranja vrat, nepravilno hranjenih živil ali živil, ki jih v hladilnik damo tople, nabere kondenzat.
- Kondenzat je treba odvajati pod stalnim naklonom.

Vgradite kondenzacijski odtok, kot je navedeno v nadaljevanju:

- ▶ Kondenzacijsko cev speljite od hladilnika, tj. skozi odprtino v tleh, ki vodi ven.

3.3 Priključitev napajanja



OBVESTILO!

- Električno napeljavo in popravila sme izvajati le strokovnjak v skladu z veljavnimi nacionalnimi predpisi in standardi.
- Da bi preprečili izgubo napetosti in posledično zmanjšanje zmogljivosti, mora biti kabel čim krajši in ne sme biti prekinjen, če je to mogoče. Zato ne uporabljajte dodatnih stikal, vtičev ali razdelilnikov.
- Pred priključitvijo preverite, ali sta delovna napetost in akumulatorska napetost enaki (glejte tipsko ploščico).

- ▶ Potrebni presek kabla določite glede na dolžino kabla v skladu z sl. **4**, stran 5.
- ▶ Kabla priključite na priključek AMP na hladilniku (sl. **5**, stran 6).
- ▶ Druga konca kablov priključite na napajanje 12 V --- :



OBVESTILO!

- Preverite polarnost.
 - Pozitiven (+) kabel priključite na 10 A varovalko.
- Čim bolj neposredno
 - rd (rdeča): z varovalko (10 A) na pozitivni pol (+)
 - bk (črna): na negativni pol (-)

3.4 Pritrjevanje hladilnika



OPOZORILO! Nevarnost požara

- Pri nameščanju naprave bodite pozorni, da napajalnega kabla ne boste zagodili ali poškodovali.
- Za napravo ne sme biti več prenosnih vtičnic ali prenosnih virov napajanja.



POZOR!

Vedno vrtajte skozi za to predvidene puše, ker se sicer lahko poškodujejo deli, obdani s peno, kot so vodniki.



NASVET

- Stranice ali pritrjene letve pritrдите tako, da vijaki čvrsto držijo tudi v primeru večjih obremenitev (med vožnjo).
- Hladilnik je zasnovan za zagotavljanje reguliranega pretoka zraka. Proizvajalec ne priporoča dodatnega prostora med hladilnikom in sosednjimi stenami.

- Hladilnik postavite na mesto, kjer ga boste uporabljali, da bo sprednja prirobnica tesno prilegala ob sprednji rob niše.
- Vijake (sl. **6**, stran 6) privijte skozi plastične puše v stranskih stenah hladilnika in naprej v steno.
- Glave vijakov prekrijte s pokrovčki.

Namestitev upravljalne plošče RC10.4P.100

- Upravljalno ploščo namestite, kot je prikazano (sl. **7**, stran 7).


4 Tehnični podatki


Za trenutno izjavo EU o skladnosti za vaš aparat glejte zadevno stran z izdelki na spletnem mestu dometic.com ali se obrnite neposredno na proizvajalca (glejte dometic.com/dealer).


Ta naprava je skladu s predpisom ZN ECE R10.

Vsebuje fluorirane toplogredne pline

Hermetično zaprta oprema

	RC10.4(S)(T).70	RC10.4(S)(T).90	RC10.4P.100
Prostornina			
Bruto prostornina:	62 l	86 l	94 l
Hladilnik:	54,5 l	75,5 l	81 l
Zamrzovalni predal:	7,5 l	7,5 l	9 l
Skupna neto prostornina:	62 l	83 l	90 l
Brez zamrzovalnega predala			
Bruto prostornina:	69 l	90 l	98 l
Neto prostornina:	64 l	85 l	93 l
Priključna napetost:	12 V \equiv	12 V \equiv	12 V \equiv
Povprečna poraba moči:	42 W	45 W	48 W
Poraba električne energije	0,45 kWh/24 h	0,45 kWh/24 h	0,48 kWh/24 h
Način PERFORMANCE:	37,5 Ah/24 h	37,5 Ah/24 h	38 Ah/24 h
Klimatski razred:	T	T	T
Hladilno sredstvo:	R134a/40 g	R134a/43 g	R134a/47 g
Ekvivalent CO ₂ :	0,057 t	0,061 t	0,065 t
Potencial globalnega segrevanja (GWP):	1430	1430	1430
Emisija hrupa (EN60704)			
Način PERFORMANCE:	42 dB (A)	42 dB (A)	42 dB (A)
Način QUIET:	39 dB (A)	39 dB (A)	39 dB (A)
Mere V x Š x G (v mm):	821 x 420 x 450	975 x 420 x 485	902 x 420 x 655 (zadnji kompresor) 902 x 590 x 485 (stranski kompresor)
Masa:	19,5 kg	21,4 kg	21 kg
Pregled/certifikat:			

	RCL 10.4(S)(T)	RCD 10.5(S)(T)	RCD 10.5X(S)(T)
Prostornina			
Bruto prostornina:	133 l	153 l	177 l
Hladilnik:	116 l	118 l	142 l
Zamrzovalni predal:	12 l	29 l	35 l
Skupna neto prostornina:	128 l	147 l	171 l
Brez zamrzovalnega predala			
Bruto prostornina:	139 l	–	–
Neto prostornina:	134 l	–	–
Priključna napetost:	12 V \equiv	12 V \equiv	12 V \equiv
Povprečna poraba moči:	54 W	54 W	54 W
Poraba električne energije	0,44 kWh/24 h	0,51 kWh/24 h	0,52 kWh/24 h
Način PERFORMANCE:	37 Ah/24 h	43 Ah/24 h	44 Ah/24 h
Klimatski razred:	ST	ST	ST
Hladilno sredstvo:	R134a / 40 g	R134a/44 g	R134a/44 g
Ekvivalent CO ₂ :	0,057 t	0,057 t	0,057 t
Potencial globalnega segrevanja (GWP):	1430	1430	1430
Emisija hrupa (EN60704)			
Način PERFORMANCE:	42 dB (A)	42 dB (A)	42 dB (A)
Način QUIET:	39 dB (A)	39 dB (A)	39 dB (A)
Mere V x Š x G (v mm):	1293 x 420 x 595	1282 x 523 x 565	1282 x 523 x 620
Masa:	32 kg	36,5 kg	39,5 kg
Pregled/certifikat:			

	RCS 10.5(S)(T)	RCS10.5X(S)(T)
Prostornina		
Bruto prostornina:	78 l	92 l
Hladilnik:	69,1 l	80,3 l
Zamrzovalni predal:	9,2 l	12,1 l
Skupna neto prostornina:	78 l	92 l
Brez zamrzovalnega predala		
Bruto prostornina:	83 l	98 l
Neto prostornina:	83 l	98 l
Priključna napetost:	12 V	12 V
Povprečna poraba moči:	5,9 A	5,5 A
Poraba električne energije		
Način PERFORMANCE:	1,46 Ah/h	1,48 Ah/h
Klimatski razred:	N, ST	N, ST
Hladilno sredstvo:	R600a/24 g	R600a/23 g
Ekvivalent CO ₂ :	0,000072 t	0,000069 t
Potencial globalnega segrevanja (GWP):	3	3
Emisija hrupa (EN60704)		
Z zračnim kanalom:		
Način PERFORMANCE:	44 dB(A)	44 dB(A)
Način QUIET:	39 dB (A)	39 dB (A)
Brez zračnega kanala:		
Način PERFORMANCE:	42 dB (A)	42 dB (A)
Način QUIET:	38 dB (A)	38 dB (A)
Mere V x Š x G (v mm):	821 x 523 x 555	821 x 523 x 610
Masa:	24,5 kg	25 kg
Pregled/certifikat:		

Παρακαλούμε να διαβάσετε προσεκτικά αυτές τις οδηγίες και να ακολουθήσετε όλες τις οδηγίες, τους κανονισμούς και τις προειδοποιήσεις που περιλαμβάνονται στο εγχειρίδιο αυτού του προϊόντος, έτσι ώστε να διασφαλίζεται πάντοτε η σωστή εγκατάσταση, χρήση και συντήρηση του προϊόντος. Αυτές οι οδηγίες ΠΡΕΠΕΙ πάντοτε να συνοδεύουν το προϊόν.

Με τη χρήση του προϊόντος επιβεβαιώνετε δια του παρόντος ότι έχετε διαβάσει προσεκτικά όλες τις οδηγίες, τους κανονισμούς και τις προειδοποιήσεις καθώς και ότι έχετε κατανοήσει και συμφωνείτε να τηρήσετε τους όρους και τις προϋποθέσεις που ορίζονται στο παρόν έγγραφο. Συμφωνείτε να χρησιμοποιείτε αυτό το προϊόν μόνο για τον προβλεπόμενο σκοπό και την προβλεπόμενη χρήση, πάντοτε σύμφωνα με τις οδηγίες, τους κανονισμούς και τις προειδοποιήσεις που ορίζονται στο παρόν εγχειρίδιο προϊόντος καθώς και σύμφωνα με όλους τους ισχύοντες νόμους και κανονισμούς. Σε περίπτωση μη ανάγνωσης και τήρησης των οδηγιών και των προειδοποιήσεων που ορίζονται στο παρόν έγγραφο, ενδέχεται να προκληθούν τραυματισμοί σε εσάς τον ίδιο και σε τρίτους, ζημιά στο προϊόν σας ή υλικές ζημιές σε άλλες ιδιοκτησίες στο άμεσο περιβάλλον. Αυτό το εγχειρίδιο προϊόντος, συμπεριλαμβανομένων των οδηγιών, των κανονισμών, των προειδοποιήσεων και των σχετικών εγγράφων, ενδέχεται να υποβληθεί σε τροποποιήσεις και ενημερώσεις. Για τις ενημερωμένες πληροφορίες προϊόντος, παρακαλούμε να επισκεφθείτε την ηλεκτρονική διεύθυνση www.dometic.com.

Περιεχόμενα

1	Επεξήγηση των συμβόλων	229
2	Υπόδειξεις ασφαλείας	230
3	Τοποθέτηση του ψυγείου	234
4	Τεχνικά χαρακτηριστικά	239

1 Επεξήγηση των συμβόλων



ΠΡΟΕΙΔΟΠΟΙΗΣΗ!

Υπόδειξη ασφαλείας για μια επικίνδυνη κατάσταση, η οποία μπορεί να έχει ως συνέπεια την πρόκληση θανάτου ή σοβαρού τραυματισμού, εάν δεν αποφευχθεί.



ΠΡΟΦΥΛΑΞΗ!

Υπόδειξη ασφαλείας για μια επικίνδυνη κατάσταση, η οποία μπορεί να έχει ως συνέπεια την πρόκληση τραυματισμού ελαφριάς ή μεσαίας σοβαρότητας, εάν δεν αποφευχθεί.



ΠΡΟΣΟΧΗ!

Υπόδειξη για μια κατάσταση, η οποία μπορεί να έχει ως συνέπεια την πρόκληση υλικών ζημιών, εάν δεν αποφευχθεί.



ΥΠΟΔΕΙΞΗ

Συμπληρωματικές πληροφορίες για το χειρισμό του προϊόντος.

2 Υποδείξεις ασφαλείας

Στις παρακάτω περιπτώσεις ο κατασκευαστής δεν αναλαμβάνει καμία ευθύνη για ζημιές:

- Σφάλμα τοποθέτησης ή σύνδεσης
- Ζημιές στο προϊόν λόγω μηχανικών επιδράσεων και λανθασμένης τάσης σύνδεσης
- Μετατροπές στο προϊόν χωρίς τη ρητή άδεια του κατασκευαστή
- Χρήση για άλλους σκοπούς από ότι περιγράφεται στις οδηγίες

2.1 Βασική ασφάλεια



ΠΡΟΕΙΔΟΠΟΙΗΣΗ! Η μη τήρηση αυτών των προειδοποιήσεων ενδέχεται να έχει ως αποτέλεσμα την πρόκληση θανάτου ή σοβαρού τραυματισμού.

Κίνδυνος ηλεκτροπληξίας

- Βεβαιωθείτε ότι η συσκευή έχει εγκατασταθεί από έναν εξειδικευμένο τεχνικό, σύμφωνα με το εγχειρίδιο τοποθέτησης της Dometic.
- Μη θέσετε σε λειτουργία τη συσκευή, εάν παρουσιάζει εμφανείς ζημιές.
- Εάν προκληθεί ζημιά στο καλώδιο τροφοδοσίας αυτής της συσκευής, για λόγους αποφυγής κινδύνων, το καλώδιο πρέπει να αντικατασταθεί από τον κατασκευαστή, το Τμήμα Εξυπηρέτησης Πελατών ή έναν ειδικευμένο τεχνικό.
- Η επισκευή αυτής της συσκευής επιτρέπεται να πραγματοποιείται μόνο από εξειδικευμένο τεχνικό προσωπικό. Σε περίπτωση μη ενδεδειγμένων επισκευών, ενδέχεται να προκληθούν σοβαροί κίνδυνοι.

Κίνδυνος έκρηξης

- Μην αποθηκεύετε στη συσκευή εκρηκτικές ουσίες, όπως π.χ. φιάλες σπρέι με προωθητικά αέρια.

Κίνδυνος για την υγεία

- Αυτή η συσκευή μπορεί να χρησιμοποιηθεί από παιδιά ηλικίας 8 ετών και επάνω και άτομα με μειωμένες φυσικές, αισθητηριακές ή πνευματικές ικανότητες ή με έλλειψη εμπειρίας και γνώσεων, εάν επιτηρούνται ή τους έχουν δοθεί οδηγίες σχετικά με τη χρήση της συσκευής με ασφαλή τρόπο και κατανοούν τους σχετικούς κινδύνους.
- Τα παιδιά δεν επιτρέπεται να παίζουν με τη συσκευή.
- Ο καθαρισμός και η συντήρηση χρήστη δεν επιτρέπεται να πραγματοποιούνται από παιδιά χωρίς επιτήρηση.
- Τα παιδιά ηλικίας 3 έως 8 ετών επιτρέπεται να τοποθετούν τρόφιμα στις συσκευές ψύξης και να βγάζουν τρόφιμα από αυτές.

Κίνδυνος παγίδευσης παιδιών

- Βεβαιωθείτε ότι τα ράφια είναι τοποθετημένα και ασφαλισμένα, έτσι ώστε να μην είναι δυνατόν να κλειδωθούν παιδιά μέσα στη συσκευή.
- Πριν από την απόρριψη του παλιού σας ψυγείου:
 - Αποσυναρμολογήστε τα συρτάρια.
 - Αφήστε τα ράφια μέσα στο ψυγείο ώστε να μην μπορούν να μπουν μέσα τα παιδιά.



ΠΡΟΦΥΛΑΞΗ! Η μη τήρηση αυτών των συστάσεων ενδέχεται να έχει ως αποτέλεσμα την πρόκληση ελαφρού ή μέτριου τραυματισμού.

Κίνδυνος σύνθλιψης

- Μη βάζετε τα χέρια σας στο μεντεσέ.

Κίνδυνος για την υγεία

- Τα τρόφιμα θα πρέπει να φυλάσσονται μόνο στην αρχική συσκευασία τους ή σε κατάλληλα δοχεία.

**ΠΡΟΣΟΧΗ! Κίνδυνος ζημιάς**

- Συγκρίνετε την τιμή τάσης στην πινακίδα χαρακτηριστικών με την υπάρχουσα ηλεκτρική τροφοδοσία.
- Εάν το όχημά σας δεν διαθέτει διάταξη διακοπής λόγω χαμηλής τάσης μπαταρίας, αποσυνδέστε τη συσκευή ή απενεργοποιήστε την, όταν σβήνετε τον κινητήρα. Διαφορετικά μπορεί να αδειάσει η μπαταρία του οχήματος.
- Η συσκευή δεν είναι κατάλληλη για τη φύλαξη καυστικών ουσιών ή ουσιών που περιέχουν διαλύτες.

- Το άνοιγμα εκροής πρέπει να διατηρείται πάντοτε καθαρό.
- Δεν επιτρέπεται σε καμία περίπτωση το άνοιγμα του κύκλωματος ψύξης.
- Μη μεταφέρετε τη συσκευή σε οριζόντια θέση, για να μην είναι εφικτή η διαρροή λαδιού από τον συμπιεστή με συνέπεια την πρόκληση ζημιás στο κύκλωμα ψύξης.
- Βεβαιωθείτε ότι κατά τη μεταφορά δεν προκαλείται ζημιά στο κύκλωμα ψύξης. Το ψυκτικό μέσο στο κύκλωμα ψύξης είναι ιδιαίτερα εύφλεκτο.
Σε περίπτωση ζημιás στο κύκλωμα ψύξης:
 - Αποφύγετε τις γυμνές φλόγες και τους σπινθήρες.
 - Αερίστε καλά τον χώρο.
- Τοποθετήστε τη συσκευή σε ένα στεγνό σημείο, στο οποίο είναι προστατευμένη από τυχόν εκτοξευόμενα νερά.

2.2 Ασφαλής χειρισμός της συσκευής



ΚΙΝΔΥΝΟΣ! Η μη τήρηση αυτών των προειδοποιήσεων έχει ως αποτέλεσμα την πρόκληση θανάτου ή σοβαρού τραυματισμού.

Κίνδυνος ηλεκτροπληξίας

- Μην πιάνετε με ακάλυπτα χέρια τυχόν γυμνά καλώδια.



ΠΡΟΦΥΛΑΞΗ! Η μη τήρηση αυτών των συστάσεων ενδέχεται να έχει ως αποτέλεσμα την πρόκληση ελαφρού ή μέτριου τραυματισμού.

Κίνδυνος ηλεκτροπληξίας

- Προσέχετε πριν από την έναρξη λειτουργίας να είναι στεγνά το καλώδιο και το βύσμα.

Κίνδυνος για την υγεία

- Μέσα στη συσκευή πρέπει να τοποθετούνται μόνο προϊόντα, που επιτρέπεται να ψύχονται στην επιλεγμένη θερμοκρασία.
- Τα τρόφιμα θα πρέπει να διατηρούνται μόνο στην αρχική συσκευασία τους ή σε κατάλληλα δοχεία.
- Το παρατεταμένο άνοιγμα της πόρτας μπορεί να προκαλέσει σημαντική αύξηση της θερμοκρασίας στους χώρους της συσκευής.

- Καθαρίζετε τακτικά τις επιφάνειες που μπορεί να έρθουν σε επαφή με τρόφιμα καθώς και τα προσβάσιμα συστήματα αποχέτευσης.
- Αποθηκεύστε το ωμό κρέας και τα ψάρια σε κατάλληλα δοχεία μέσα στη συσκευή, έτσι ώστε να μην έρχονται σε επαφή με άλλα τρόφιμα ή να μην στάζουν επάνω σε άλλα τρόφιμα.
- Εάν η συσκευή παραμείνει άδεια για μεγάλα χρονικά διαστήματα:
 - Απενεργοποιήστε τη συσκευή.
 - Πραγματοποιήστε απόψυξη της συσκευής.
 - Καθαρίστε και στεγνώστε τη συσκευή.
 - Αφήστε την πόρτα ανοιχτή, για να αποτρέψετε τον σχηματισμό μούχλας μέσα στη συσκευή.
- Εάν το ψυγείο εκτεθεί σε θερμοκρασία δωματίου χαμηλότερη από +10 °C για μεγάλο χρονικό διάστημα, δεν μπορεί να διασφαλιστεί η σταθερή θερμοκρασία του χώρου κατάψυξης. Αυτό μπορεί να οδηγήσει σε αύξηση της θερμοκρασίας στον χώρο κατάψυξης και σε ξεπάγωμα των αποθηκευμένων τροφίμων.

Κίνδυνος τραυματισμού

- Η πόρτα της συσκευής ή η πόρτα του χώρου κατάψυξης μπορεί να αποσυνδεθεί εντελώς από τη συσκευή, εάν χρησιμοποιηθεί με λανθασμένο τρόπο. Πιέστε τις πόρτες στη θέση κλεισίματος, μέχρι να ακουστεί ο χαρακτηριστικός ήχος κλικ στην επάνω και στην κάτω πλευρά.
- Μη στηρίζετε επάνω στην ανοιχτή πόρτα της συσκευής.



ΠΡΟΣΟΧΗ! Κίνδυνος ζημιάς

- Εάν η πόρτα δεν είναι ασφαλισμένη σωστά στην απέναντι πλευρά, πιέστε προσεκτικά την πόρτα επάνω και κάτω στην αντίστοιχη πλευρά, μέχρι να ασφαλίσει στη θέση της.
- Τα βαριά αντικείμενα, όπως π.χ. μπουκάλια ή κουτάκια ροφημάτων, πρέπει να τοποθετούνται μόνο στην πόρτα της συσκευής, στο συρτάρι λαχανικών ή στο κάτω ράφι.
- Μη χρησιμοποιείτε ηλεκτρικές συσκευές στο εσωτερικό της συσκευής ψύξης, εκτός εάν συνιστώνται από τον κατασκευαστή για τον σκοπό αυτό.
- Μην τοποθετείτε τη συσκευή κοντά σε γυμνές φλόγες ή άλλες πηγές θερμότητας (συσκευές θέρμανσης, άμεση ηλιακή ακτινοβολία, φούρνους αερίου κ.λπ.).
- Βεβαιωθείτε ότι δεν καλύπτονται τα ανοίγματα αερισμού.

- Μην γεμίζετε με υγρά ή πάγο το εσωτερικό δοχείο.
- Ποτέ μη βυθίζετε τη συσκευή μέσα στο νερό.
- Προστατέψτε τη συσκευή και το καλώδιο από τη ζέστη και την υγρασία.
- Τα τρόφιμα δεν επιτρέπεται να ακουμπούν στα εσωτερικά τοιχώματα του ψυγείου.



ΥΠΟΔΕΙΞΗ

- Ρωτήστε τον κατασκευαστή του οχήματός σας εάν το σύστημα διαχείρισης μπαταρίας του οχήματος απενεργοποιεί τις συσκευές, για να προστατέψει την μπαταρία.
- Τοποθετήστε την πόρτα της συσκευής και την πόρτα του χώρου κατάψυξης στη χειμερινή θέση, εάν δεν πρόκειται να χρησιμοποιήσετε τη συσκευή για μεγάλο χρονικό διάστημα. Με τον τρόπο αυτό αποτρέπεται η δημιουργία μούχλας.
- Σε θερμοκρασίες περιβάλλοντος από +15 °C έως +25 °C, επιλέξτε τη ρύθμιση μέσης ψυκτικής ισχύος.

3 Τοποθέτηση του ψυγείου



ΠΡΟΦΥΛΑΞΗ! Κίνδυνος για την υγεία

Για την αποφυγή τυχόν κινδύνων λόγω αστάθειας της συσκευής, πρέπει να στερεώνεται σύμφωνα με τις οδηγίες.



Το εγχειρίδιο οδηγιών για την αλλαγή του στοπ πόρτας και της διακοσμητικής πλάκας θα το βρείτε online στη διεύθυνση:

documents.dometic.com/?object_id=63258

Η συσκευή είναι κατάλληλη για τοποθέτηση σε:

- συρόμενα τροχόσπιτα
- αυτοκινούμενα τροχόσπιτα

3.1 Προετοιμασία τοποθέτησης



ΠΡΟΦΥΛΑΞΗ! Κίνδυνος τραυματισμού

Η συσκευή έχει αιχμηρές ακμές και πρέπει να χρησιμοποιούνται γάντια κατά την τοποθέτηση.



ΠΡΟΣΟΧΗ! Κίνδυνος πρόκλησης ζημιάς

- Το ψυγείο δεν επιτρέπεται να τοποθετηθεί στο πίσω μέρος των αυτοκινούμενων τροχόσπιτων με την πόρτα προς την κατεύθυνση κίνησης.
- Αφήστε τη συσκευή σε κατακόρυφη θέση για τουλάχιστον 3 ώρες πριν την θέσετε σε λειτουργία για πρώτη φορά.



ΥΠΟΔΕΙΞΗ

- Σε αυτοκινούμενα τροχόσπιτα, μια μονάδα υποτοιχισμού μπορεί να εγκατασταθεί με την πόρτα να δείχνει προς την κατεύθυνση κίνησης, εφόσον τοποθετείται δίπλα στη συρόμενη πόρτα και πίσω από το κάθισμα του συνοδηγού.
- Εάν το ψυγείο συμπιεστή αντικαθιστά μια μονάδα υγραερίου / ρεύματος, πρέπει να βεβαιωθείτε ότι τα εξωτερικά πλέγματα αερισμού είναι εντελώς κλειστά, διότι διαφορετικά υπάρχει κίνδυνος ο συμπιεστής να μην λειτουργεί σε χαμηλή θερμοκρασία περιβάλλοντος (~κάτω από τους 0 °C).

Κατά την τοποθέτηση του ψυγείου, λάβετε υπόψη τις παρακάτω οδηγίες:

- Βεβαιωθείτε ότι το δάπεδο είναι σταθερό και επίπεδο.
Σταθμεύστε το όχημα σε οριζόντιο έδαφος για τον σκοπό αυτό.
- Το ψυγείο πρέπει να εγκαθίσταται κατά τέτοιον τρόπο, ώστε
 - να είναι εύκολα προσβάσιμο για τις εργασίες σέρβις
 - να μπορεί να αφαιρεθεί και να τοποθετηθεί εύκολα
 - να μπορεί να αφαιρεθεί εύκολα από το όχημα
- Το ψυγείο πρέπει να τοποθετηθεί σε μια εσοχή, ώστε να παραμένει ασφαλισμένο, όταν το όχημα κινείται. Προσέξτε για τον σκοπό αυτό τις διαστάσεις στο σχ. **1**, σελίδα 3 και στο σχ. **2**, σελίδα 4.

- Προσέξτε επίσης τις παρακάτω διαστάσεις εσοχής (σχ. **3**, σελίδα 5):

	RC 10.4(S)(T).70	RC 10.4(S)(T).90	RC 10.4P.100
Ύψος ψυγείου (A)	821 mm	975 mm	900 mm
Πλάτος ψυγείου (B)	420 mm	420 mm	420 mm (πίσω συμπιεστής) 590 mm (πλευρικός συμπιεστής)
Βάθος ψυγείου (C) (Δεν συμπεριλ. το κουμπί ρύθμισης 5 mm)	450 mm	485 mm	655 mm (πίσω συμπιεστής) 485 mm (πλευρικός συμπιεστής)
Ύψος εσοχής (H)	823 mm	977 mm	902 mm
Πλάτος εσοχής (W)	425 mm	425 mm	425 mm (πίσω συμπιεστής) 595 mm (πλευρικός συμπιεστής)
Βάθος εσοχής (D)	452 mm	487 mm	657 mm (πίσω συμπιεστής) 487 mm (πλευρικός συμπιεστής)

	RCL 10.4(S)(T)	RCD 10.5(S)(T)	RCD 10.5X(S)(T)
Ύψος ψυγείου (A)	1293 mm	1282 mm	1282 mm
Πλάτος ψυγείου (B)	420 mm	523 mm	523 mm
Βάθος ψυγείου (C) (Δεν συμπεριλ. το κουμπί ρύθμισης 5 mm)	595 mm	565 mm	620 mm
Ύψος εσοχής (H)	1296 mm	1285 mm	1285 mm
Πλάτος εσοχής (W)	425 mm	528 mm	528 mm
Βάθος εσοχής (D)	598 mm	568 mm	623 mm

	RCS 10.5(S)(T)	RCS 10.5X(S)(T)
Ύψος ψυγείου (A)	821 mm	821 mm
Πλάτος ψυγείου (B)	523 mm	523 mm
Βάθος ψυγείου (C) (Δεν συμπεριλ. το κουμπί ρύθμισης 5 mm)	555 mm	610 mm
Ύψος εσοχής (H)	824 mm	824 mm
Πλάτος εσοχής (W)	528 mm	528 mm
Βάθος εσοχής (D)	558 mm	613 mm

3.2 Τοποθέτηση του σωλήνα αποστράγγισης συμπυκνωμάτων



ΥΠΟΔΕΙΞΗ

- Νερό συμπυκνώματος μπορεί να σχηματιστεί στο εσωτερικό του ψυγείου λόγω πολύ συχνού ανοίγματος της πόρτας, λανθασμένης αποθήκευσης τροφίμων ή αποθήκευσης φαγητού στο ψυγείο, ενώ είναι ακόμη πολύ ζεστό.
- Το νερό συμπυκνώματος πρέπει να αποστραγγίζεται με συνεχή κλίση.

Τοποθετήστε τον σωλήνα αποστράγγισης συμπυκνωμάτων ως εξής:

- Οδηγήστε τον εύκαμπτο σωλήνα νερού συμπυκνώματος από το ψυγείο, μέσω ενός ανοίγματος στο δάπεδο, έξω από το όχημα.

3.3 Σύνδεση της τροφοδοσίας ηλεκτρικού ρεύματος



ΠΡΟΣΟΧΗ!

- Η ηλεκτρική εγκατάσταση και οι σχετικές επισκευές επιτρέπεται να πραγματοποιούνται μόνο από ειδικευμένο ηλεκτρολόγο, σύμφωνα με τους ισχύοντες εθνικούς κανονισμούς και τα ισχύοντα εθνικά πρότυπα.
- Για να αποφευχθεί τυχόν απώλεια τάσης και συνεπώς πτώση της απόδοσης, το καλώδιο πρέπει να είναι κατά το δυνατόν κοννύτερο και δεν πρέπει να διακόπτεται. Για τον σκοπό αυτόν αποφύγετε τυχόν πρόσθετους διακόπτες, πρίζες ή πολύπριζα.
- Πριν από τη σύνδεση, ελέγξτε εάν συμφωνούν η τάση λειτουργίας και η τάση της μπαταρίας (βλέπε πινακίδα τύπου).

- Καθορίστε την απαιτούμενη διατομή του καλωδίου σε συνάρτηση με το μήκος του καλωδίου, σύμφωνα με το σχ. **4**, σελίδα 5.
- Συνδέστε τα καλώδια στον σύνδεσμο AMP του ψυγείου (σχ. **5**, σελίδα 6).
- Συνδέστε τα άλλα άκρα των καλωδίων στην τροφοδοσία ηλεκτρικού ρεύματος 12 V==:



ΠΡΟΣΟΧΗ!

- Βεβαιωθείτε ότι η πολικότητα είναι σωστή.
- Τοποθετήστε στο θετικό (+) καλώδιο μια ασφάλεια 10 A.

- Κατά το δυνατόν απευθείας
- rd (κόκκινο): με μια ασφάλεια προστασίας (10 A) τοποθετημένη στον θετικό (+) πόλο
- bk (μαύρο): στον αρνητικό (–) πόλο

3.4 Στερέωση του ψυγείου



ΠΡΟΕΙΔΟΠΟΙΗΣΗ! Κίνδυνος πυρκαγιάς

- Κατά την τοποθέτηση της συσκευής, βεβαιωθείτε ότι το καλώδιο τροφοδοσίας δεν μαγκώνεται ή υφίσταται ζημιά.
- Μην τοποθετείτε φορητά πολύπριζα ή φορητές μονάδες τροφοδοσίας στην πίσω πλευρά της συσκευής.

**ΠΡΟΦΥΛΑΞΗ!**

Το βίδωμα πρέπει να πραγματοποιείται μόνο μέσω των προβλεπόμενων υποδοχών, καθώς σε διαφορετική περίπτωση μπορεί να υποστούν ζημιές τα εξαρτήματα που είναι ενσωματωμένα στο αφρώδες υλικό, όπως π.χ. τα καλώδια.

**ΥΠΟΔΕΙΞΗ**

- Στερεώστε τα πλευρικά τοιχώματα ή τις τοποθετημένες λωρίδες κατά τέτοιο τρόπο, ώστε οι βίδες να συγκρατούν σταθερά τη συσκευή, ακόμη και σε περίπτωση αυξημένου φορτίου (κατά την κίνηση του οχήματος).
- Το ψυγείο έχει σχεδιαστεί για την παροχή μιας ρυθμιζόμενης ροής αέρα. Ο κατασκευαστής δεν συνιστά να αφήνετε πρόσθετο διάκενο ανάμεσα στο ψυγείο και στα τοιχώματα της εσοχής.

- Μετακινήστε το ψυγείο στην τελική του θέση, φροντίζοντας η μπροσινή φλάντζα να εφαρμόζει σφικτά στο μπροστινό μέρος της εσοχής.
- Βιδώστε τις βίδες (σχ. **6**, σελίδα 6) μέσα από τις πλαστικές υποδοχές στα πλευρικά τοιχώματα του ψυγείου και στη συνέχεια στο τοίχωμα της εσοχής τοποθέτησης.
- Τοποθετήστε τα καπάκια επάνω στις κεφαλές των βιδών.

Τοποθέτηση του πίνακα ελέγχου του RC10.4P.100

- Τοποθετήστε τον πίνακα ελέγχου σύμφωνα με την απεικόνιση (σχ. **7**, σελίδα 7).


4 Τεχνικά χαρακτηριστικά


Για την τρέχουσα Δήλωση συμμόρφωσης ΕΕ για τη συσκευή σας, παρακαλούμε να ανατρέξετε στην αντίστοιχη σελίδα προϊόντος στον ιστότοπο dometic.com ή να επικοινωνήσετε απευθείας με τον κατασκευαστή (βλέπε dometic.com/dealer).


Αυτή η συσκευή συμμορφώνεται με τον κανονισμό UN ECE R10.

Περιέχει φθοριωμένα αέρια του θερμοκηπίου

Ερμητικά σφραγισμένος εξοπλισμός

	RC 10.4(S)(T).70	RC 10.4(S)(T).90	RC 10.4P.100
Χωρητικότητα			
Ολική χωρητικότητα:	62 l	86 l	94 l
Χώρος συντήρησης:	54,5 l	75,5 l	81 l
Χώρος κατάψυξης:	7,5 l	7,5 l	9 l
Συνολική ωφέλιμη χωρητικότητα:	62 l	83 l	90 l
Χωρίς τον χώρο κατάψυξης			
Ολική χωρητικότητα:	69 l	90 l	98 l
Ωφέλιμη χωρητικότητα:	64 l	85 l	93 l
Ηλεκτρική τάση σύνδεσης:	12 V ₌₌₌	12 V ₌₌₌	12 V ₌₌₌
Μέση ισχύς εισόδου:	42 W	45 W	48 W
Κατανάλωση ενέργειας Λειτουργία απόδοσης (PERFORMANCE):	0.45 kWh/24 h 37,5 Ah/24 h	0.45 kWh/24 h 37,5 Ah/24 h	0.48 kWh/24 h 38 Ah/24 h
Κλιματική κατηγορία:	T	T	T
Ψυκτικό μέσο:	R134a/40 g	R134a/43 g	R134a/47 g
Ισοδύναμο CO ₂ :	0,057 t	0,061 t	0,065 t
Δυναμικό υπερθέρμανσης του πλανήτη (GWP):	1430	1430	1430
Εκπομπή θορύβου (EN60704) Λειτουργία απόδοσης (PERFORMANCE): Αθόρυβη λειτουργία (QUIET):	42 dB(A) 39 dB(A)	42 dB(A) 39 dB(A)	42 dB(A) 39 dB(A)
Διαστάσεις Υ x Π x Β (σε mm):	821 x 420 x 450	975 x 420 x 485	902 x 420 x 655 (πίσω συμπίε- στής) 902 x 590 x 485 (πλευρικός συμπι- εστής)
Βάρος:	19,5 kg	21,4 kg	21 kg
Έλεγχος / πιστοποίηση:			

	RCL 10.4(S)(T)	RCD 10.5(S)(T)	RCD 10.5X(S)(T)
Χωρητικότητα			
Ολική χωρητικότητα:	133 l	153 l	177 l
Χώρος συντήρησης:	116 l	118 l	142 l
Χώρος κατάψυξης:	12 l	29 l	35 l
Συνολική ωφέλιμη χωρητικότητα:	128 l	147 l	171 l
Χωρίς τον χώρο κατάψυξης			
Ολική χωρητικότητα:	139 l	–	–
Ωφέλιμη χωρητικότητα:	134 l	–	–
Ηλεκτρική τάση σύνδεσης:	12 V ₌₌₌	12 V ₌₌₌	12 V ₌₌₌
Μέση ισχύς εισόδου:	54 W	54 W	54 W
Κατανάλωση ενέργειας Λειτουργία απόδοσης (PERFORMANCE):	0.44 kWh/24 h 37 Ah/24 h	0.51 kWh/24 h 43 Ah/24 h	0.52 kWh/24 h 44 Ah/24 h
Κλιματική κατηγορία:	ST	ST	ST
Ψυκτικό μέσο:	R134a / 40 g	R134a/44 g	R134a/44 g
Ισοδύναμο CO ₂ :	0,057 t	0,057 t	0,057 t
Δυναμικό υπερθέρμανσης του πλανήτη (GWP):	1430	1430	1430
Εκπομπή θορύβου (EN60704) Λειτουργία απόδοσης (PERFORMANCE): Αθόρυβη λειτουργία (QUIET):	42 dB(A) 39 dB(A)	42 dB(A) 39 dB(A)	42 dB(A) 39 dB(A)
Διαστάσεις Υ x Π x Β (σε mm):	1293 x 420 x 595	1282 x 523 x 565	1282 x 523 x 620
Βάρος:	32 kg	36,5 kg	39,5 kg
Έλεγχος / πιστοποίηση:			

	RCS 10.5(S)(T)	RCS 10.5X(S)(T)
Χωρητικότητα		
Ολική χωρητικότητα:	78 l	92 l
Χώρος συντήρησης:	69,1 l	80,3 l
Χώρος κατάψυξης:	9,2 l	12,1 l
Συνολική ωφέλιμη χωρητικότητα:	78 l	92 l
Χωρίς τον χώρο κατάψυξης		
Ολική χωρητικότητα:	83 l	98 l
Ωφέλιμη χωρητικότητα:	83 l	98 l
Ηλεκτρική τάση σύνδεσης:	12 V	12 V
Μέση ισχύς εισόδου:	5,9 A	5,5 A
Κατανάλωση ενέργειας Λειτουργία απόδοσης (PERFORMANCE):	1,46 Ah/h	1,48 Ah/h
Κλιματική κατηγορία:	N, ST	N, ST
Ψυκτικό μέσο:	R600a / 24 g	R600a / 23 g
Ισοδύναμο CO2:	0,000072 t	0,000069 t
Δυναμικό υπερθέρμανσης του πλανήτη (GWP):	3	3
Εκπομπή θορύβου (EN60704) Με κανάλι αέρα:		
Λειτουργία απόδοσης (PERFORMANCE):	44 dB(A) 39 dB(A)	44 dB(A) 39 dB(A)
Αθόρυβη λειτουργία (QUIET):		
Χωρίς κανάλι αέρα:	42 dB(A) 38 dB(A)	42 dB(A) 38 dB(A)
Λειτουργία απόδοσης (PERFORMANCE):		
Αθόρυβη λειτουργία (QUIET):		
Διαστάσεις Υ x Π x Β (σε mm):	821 x 523 x 555	821 x 523 x 610
Βάρος:	24,5 kg	25 kg
Έλεγχος / πιστοποίηση:		

Mobile living made easy.



dometic.com

**YOUR LOCAL
DEALER**

dometic.com/dealer

**YOUR LOCAL
SUPPORT**

dometic.com/contact

**YOUR LOCAL
SALES OFFICE**

dometic.com/sales-offices

A complete list of Dometic companies, which comprise the Dometic Group, can be found in the public filings of:
DOMETIC GROUP AB Hemvärnsgatan 15 SE-17154 Solna Sweden