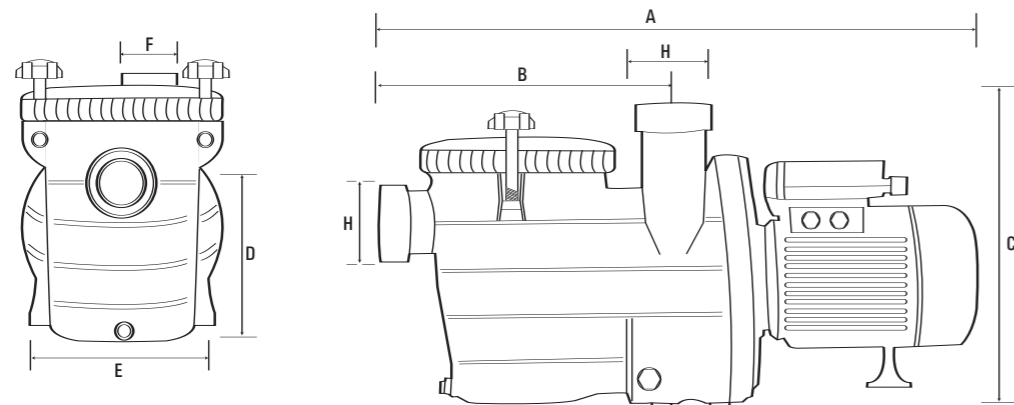
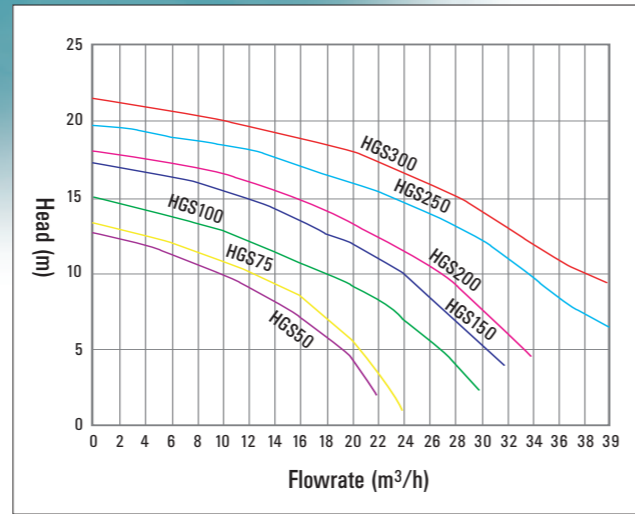


# HGS HYDROSWIM PUMPS

## SPECIFICATIONS / DIMENSIONS

Type	HP	kW	Head in m / Hauteur en m / Altura en m														
			4	6	8	10	11	12	14	15	16	18					
HGS051	0.5	0.37	20.5	18	14.3	10	7.7	3									
HGS053	0.5	0.37	20.5	18	14.3	10	7.7	3									
HGS071	0.75	0.55	21.7	19.5	17	13	10	6									
HGS073	0.75	0.55	21.7	19.5	17	13	10	6									
HGS101	1	0.74	28	25.7	22.5	18	15	13.9	6	1							
HGS103	1	0.74	28	25.7	22.5	18	15	13.9	6	1							
HGS151	1.5	1.1	32	29	26.5	24	22	20	15.5	12	8						
HGS153	1.5	1.1	32	29	26.5	24	22	20	15.5	12	8						
HGS201	2	1.5	35	32	30	27.3	25	23	19.5	16	12	1					
HGS203	2	1.5	35	32	30	27.3	25	23	19.5	16	12	1					
HGS251	2.5	1.84	41	40	37	33	32	31.5	26	23	20	13.5					
HGS253	2.5	1.84	41	40	37	33	32	31.5	26	23	20	13.5					
HGS301	3	2.2	42	41	40	38	36	34	31.5	27.4	26.3	20					
HGS303	3	2.2	42	41	40	38	36	34	31.5	29.4	26.3	20					



Type	Dimensions in mm / Dimensions en mm / Dimensiones en mm							Weight Poids Peso
	A	B	C	D	E	F	H	
HGS051	569	280	282	173	179	71	2"	14kg
HGS053	569	280	282	173	179	71	2"	14kg
HGS071	569	280	282	173	179	71	2"	14kg
HGS073	569	280	282	173	179	71	2"	14kg
HGS101	569	280	282	173	179	71	2"	14kg
HGS103	569	280	282	173	179	71	2"	14kg
HGS151	569	280	282	173	179	71	2"	14kg
HGS153	569	280	282	173	179	71	2"	14kg
HGS201	569	280	282	173	179	71	2"	14.5kg
HGS203	569	280	282	173	179	71	2"	14.5kg
HGS251	578	280	282	173	179	71	2"	16kg
HGS253	578	280	282	173	179	71	2"	16kg
HGS301	578	280	282	173	179	71	2"	16kg
HGS303	578	280	282	173	179	71	2"	16kg

If you should require further technical information please do not hesitate to contact us.

07.01.05

This literature is intended as a guide. The Company reserve the right to change the specification without notice.

## FEATURES

- High hydraulic efficiency
- Ultra quiet operation
- Simple, robust & compact
- One-piece body in durable resistant composite material
- Noryl impellor
- Innovative design with patented strainer basket
- Use: fresh water - sea water - treated water - brackish water
- Fast-opening translucent lid
- Motor IP 55 - class F - continuous rating
- Stainless steel shaft

- Haut rendement hydraulique
- Simple, robuste, compacte
- Corps monobloc en matériaux composites inaltérables
- Turbine en Noryl
- Conception innovante avec panier préfiltre breveté
- Utilisation: eau douce - eau de mer - eau traitée ou saumâtre
- Couvercle translucide à ouverture rapide
- Motor IP 55 - classe F - Service continu
- Arbre inox 316L

- Alto rendimiento hidráulico
- Simple, robusta, compacta
- Cuerpo monobloque de materiales composites inalterables
- Turbina de Noryl
- Diseño innovador con cesto prefiltro patentado
- Utilización: agua dulce - agua de mar - agua tratada o salobre
- Tapa translúcida de apertura rápida
- Motor IP 55 - clase F - Servicio continuo
- Árbol de acero inoxidable 316L



Self-priming centrifugal pumps for swimming pool filtration.

Pompes centrifuges auto-amorçantes pour la filtration de piscines.

Bombas centrifugas autocebantes para la filtración de piscinas