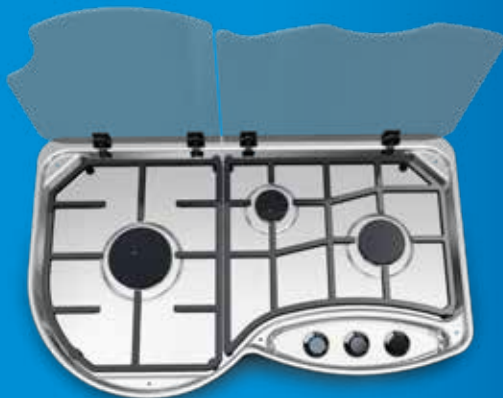


THE  **FORD**



Hob 353 Series

User Manual

DECLARATION OF CONFORMITY

We: **THETFORD Ltd**

Address: Unit 6 Brookfields Way, Manvers, Rotherham, S63 5DL
Telephone: (+44) (0) 844 997 1960. Fax: (+44) (0) 844 997 1961

Declare under our sole responsibility that;

Product Types; Domestic build-in LP Gas and dual fuel cooking appliances;

Model Number/Description; SHB353xx Series Hobs & SCU353xxx Series Combination Hobs;
SHB33000 to SHB33099 Triangular Hobs & SHB34000 to SHB34599 Rectangular Hobs;
SHB140xx, SHB144xx, SHB143xx, SHB145xx & SHB142xx Series Argon Gas & Dual Fuel Hobs;
SHB174xx & SHB172xx Series Linear Gas & Dual Fuel Hobs;

Are in conformity with the relevant European Union harmonization legislation, Regulation (EU) 2016/426, which applies as from 21 April 2018 and are manufactured in accordance with the harmonised European standards; EN 30-1-1:2008+A3:2013 & EN 30-2-1:2015;

Satisfy the essential requirements of the Low Voltage Directive 2014/35/EU, where applicable and are manufactured in accordance with the harmonised European standards; EN 60335-1 (IEC 60335-1:2010); EN 60335-2-6 (IEC 60335-2-6:2002 +A1:2004 +A2:2008); EN 60335-2-102 (IEC 60335-2-102:2006 +A1:2010);

Satisfy the essential requirements of the Electro Magnetic Compatibility Directive 2014/30/EU and are manufactured in accordance with the harmonized European standards; EN 55014-1: 2006 + A1:2009 + A2:2011 & EN55014-2: 1997 + A1:2001 + A2: 2008; EN 61000-3-2:2006 +A1:2009 & EN 61000-3-3:2013 where applicable;

We also declare that the production of each specific model will be in conformity with the type as described in the EC type-examination certificate;

CE 680544, Issued by BSI

We also declare that the production of each specific model will be in conformity with the type as described in Test Report(s):

8515933, 8432405, TR 14/404 & TR 15 049 as applicable, Issued by BSI

Name : **Bartho Anderson**
Title/Position : **Director**
Place & Date of Issue : **Rotherham 23rd February 2018**

Signature :



EN

Original Installation Manual

Contents

1	Introduction.....	2
2	Symbols.....	2
3	Safety.....	3
4	Main components.....	5
5	Before use.....	5
6	Use of the burners.....	6
7	Use of the sink.....	6
8	Safe cooking.....	7
9	Maintenance and cleaning.....	7
10	Gas leaks.....	8
11	Troubleshooting.....	8
12	Servicing.....	9
13	Putting in storage.....	9
14	Technical specifications.....	9
15	Questions.....	10
16	Warranty.....	10

1. Introduction

This is the user manual for your Thetford hob. Read the safety instructions and information on use and maintenance of the hob carefully before continuing. This will enable you to use the hob safely and efficiently. Retain this manual for future reference.

For the latest version of this manual, please visit www.thetford.com.

2. Symbols

Key to symbols:



Warning. Risk of injury and/or damage.



Caution. Hot surface. Risk of injury and/or damage.



Attention. Important information.



Note. Information.

3. Safety



Use the appliance for cooking only and not for anything else, for example room heating. This can lead to carbon monoxide poisoning and overheating. The manufacturer cannot be held liable for damage resulting from improper use or incorrect setting of the controls.

EN



The use of this gas cooking appliance results in the production of heat, moisture and products of combustion in the room in which it is installed. Ensure the room has sufficient ventilation when the appliance is in use. During prolonged use, additional ventilation may be needed by opening a window or increasing the extraction force of the hood.










This appliance may be used by children aged 8 years or older and persons with reduced physical, sensory or mental capabilities and/or lack of experience and knowledge only if they are supervised or have been given instructions on the safe use of this appliance and understand the potential hazards.



The burners and pan supports are hot during and after use. Allow all parts to cool before touching them, as this can cause serious injury.

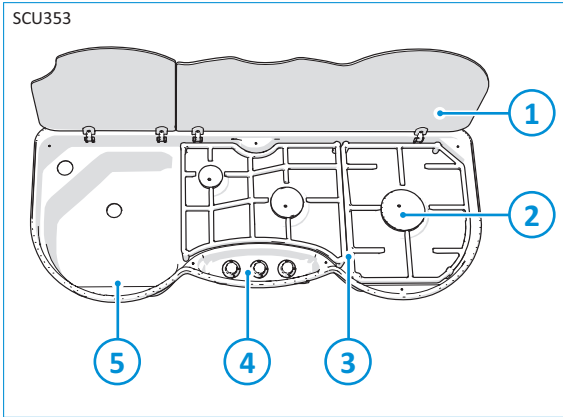


Never extinguish a cooking fire with water. Turn the burner off and cover the flame with a lid or a fire blanket.

-  Keep children younger than 8 years away from the appliance, except under constant supervision.
-  Do not allow children to play with the appliance.
-  Do not allow children to clean or maintain this equipment unattended.
-  Use only parts supplied by the manufacturer.
-  Do not change or adjust anything on the appliance, unless the change is authorised by the manufacturer or its representative.
-  Danger of fire, do not store items on the cooking surface of the hob.
-  Do not shut the glass lid when the burners are lit or still warm.

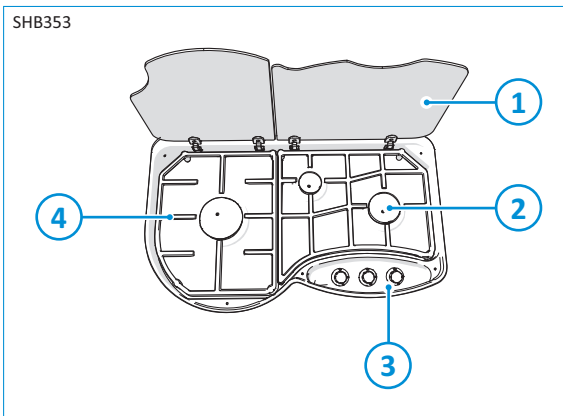


4. Main components



1. Glass lid
2. Gas burners
3. Pan supports
4. Control panel
5. Sink

EN



1. Glass lid
2. Gas burners
3. Control panel
4. Pan supports

The types of burners may vary depending on the type of appliance. Refer to Technical specifications for further details.

5. Before use

Before using the appliance:

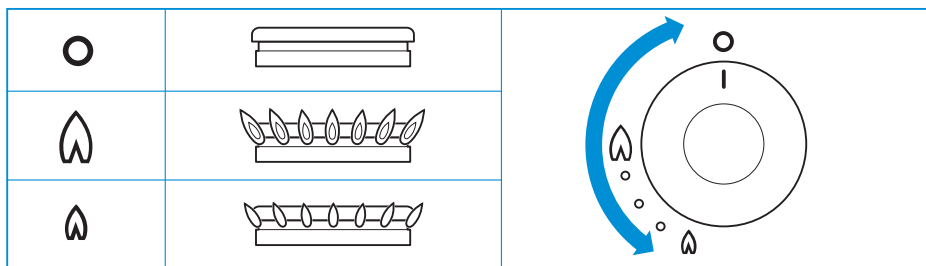
- Ensure that all packaging materials have been removed.
- Clean the appliance with warm water and household detergent and dry carefully with a soft cloth.
- Ensure that the gas supply is connected and turned on.
- Ensure that the appliance is connected to the 12V DC battery for the cooling fans and spark ignition.
- Ensure that the pan supports are positioned properly.

- Ignite the gas burners and let them burn to expel odours and vapours first.



Only use LPG (Liquefied Petroleum Gas). The appliance operates on propane or butane. Propane is preferred over butane, because butane provides poor performance at an ambient temperature below 10°C and cannot be used at an ambient temperature below 5°C.

6. Use of the burners



For the exact location of the control knobs, see Main components.

Turning on:

- Push and turn the control knob.
- Turn the control knob anti-clockwise to the full rate position.
 - For spark ignition models: Push the ignition button.
 - For non-ignition models: Hold a lit match or gas match to the burners.
- Keep the control knob pressed for about 10-15 seconds and then release it.
- Adjust the height of the flame.

Turning off:

- Turn the control knob clockwise to the 0 position to turn off the burner.



If the burner accidentally extinguishes turn the control knob to the 0 position and wait at least 1 minute before re-igniting the burner.



If the burner has not lit within 15 seconds turn the control knob back to the 0 position and release it. Wait at least 1 minute and repeat the steps above to turn on the appliance.

7. Use of the sink

- Open the glass lid.
- Turn on the tap to tap water.
- Turn off the tap to turn the water off.



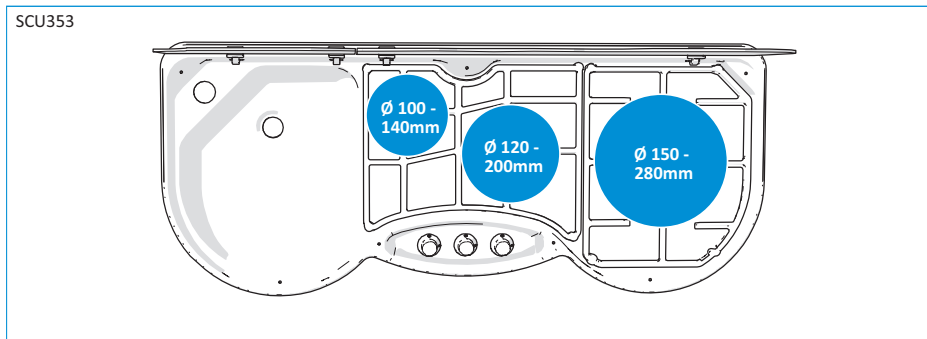
Beware that burners do not get wet by water from the tap or sink. Wet burners burn irregularly and can go out.



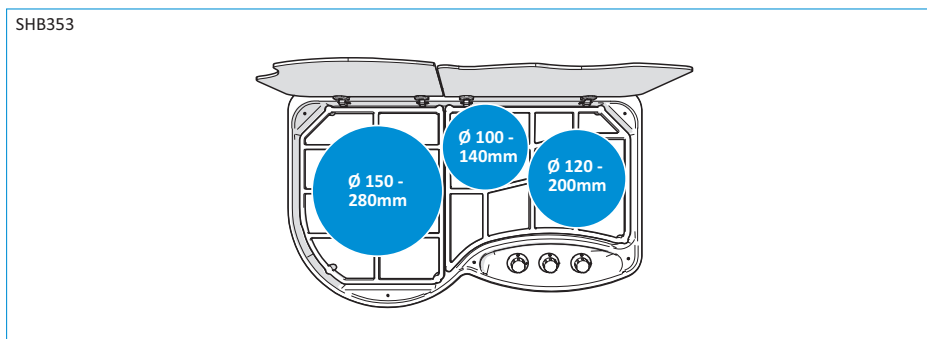
Hard water or soft water may leave a brown or white film in the sink. Dry the sink after use with a soft cloth to avoid this. Clean the sink well at least once a week with a cloth and household detergent.

8. Safe cooking

- Do not allow cooking vessels to overlap the edges of the appliance – use the correct sizes of pans and position them centrally over the burners.



EN



- Ensure that there is at least a 10mm gap between the pans and the edges of the hob.
- Turn the pans so that the handles do not overhang the front of the appliance.
- Ensure that the flame of the gas burner heats the bottom of the pan, not the sides.
- Do not leave the appliance unattended when in use.
- Do not use the appliance while the vehicle is moving.
- Turn the control knob back to the 0 position after cooking.
- Keep the appliance clean and prevent accumulation of grease and food scraps.

9. Maintenance and cleaning

Thetford recommends an annual inspection service by an approved service centre. Between annual servicing, clean the appliance regularly after use.

- Always remove any spills or contamination immediately after use with soap and hot water. Towel dry the surface with a soft cloth.
- Use a non-abrasive multi-purpose cream cleaner and a nylon scourer pad to clean more stubborn dirt or grease.
- Use a proprietary stainless steel cleaner or polish to remove superficial surface scratching.



Always clean in the direction of the brushed finish and not across the grain.



Do not use abrasive cleaners, metal scouring pads or hard brushes. They could damage the appliance.



Do not leave wet cloths, cleaning pads, residues of food or cleaning products or other dirt to dry on the surface. It can cause pitting, marking or even rusting.



If you clean the burner rings, ensure that the holes are not clogged.



Cleaning agents containing bleach should not be left in contact with stainless steel.



The control knobs can be removed for cleaning. The knobs are easy to replace.



Mineral content in water (such as iron or lime scale) can affect the appearance of the metal.

10. Gas leaks

As soon as you smell gas:

- Ensure that all burners are turned off.
- Extinguish all naked lights and do not smoke.
- Shut off the gas supply at the gas bottle immediately.
- Do not use electrical switches.
- Open all doors and windows.



LPG is heavier than air. Escaping gas accumulates at lower levels. By following the strong, unpleasant smell of gas, you can determine where the leak is located. To investigate where it is exactly, use a special leak detection spray. Never use an open flame to find the leak!

11. Troubleshooting

Problem	Possible cause	Solution
Burners do not burn or burn unevenly	Gas bottle is empty Gas tap is closed Burner caps are not correctly positioned Burners are wet or clogged	Change gas bottle Open tap Allow caps to cool, then re-position them Dry or clean burners
Spark ignition does not spark	12V DC battery is discharged Connections are loose Ignition points are wet or dirty	Charge battery Secure connections Dry or clean ignition points
Control knobs do not function	Knobs are mounted incorrectly	Install knobs correctly




If you cannot solve a problem, contact the authorised local Service Centre or Thetford Customer Service in your country.

12. Servicing

All servicing must be carried out by an approved competent person. Before any service work is started, the appliance should have been left to cool and be disconnected from both the gas and electrical supplies. After each service the appliance must be checked for gas soundness and electrical safety.

For service, please contact your authorised local Service Centre giving details of the model and serial number on the data badge plus date of purchase.

Model Name & Series Number					
G30 G31	CAT I ₃ +(28-30/37) BUTANE 28-30mbar PROPANE 37mbar	CAT I ₃ B/P(30) BUTANE 30mbar PROPANE 30mbar	THETFORD		
ΣQn	Power kW (g/hr)	Model Number	Spark Ignition		
CE	Pin Number	Serial Number	Voltage ~ 50 Hz		
	Country Codes 1	Country Codes 2	Power kW		
			QC Pass	Order No	







EN

13. Putting in storage

- Close the gas valve at the gas bottle.
- Disconnect the battery.
- Ensure that the control knobs are in the 0 position.
- Wipe the appliance clean and dry.
- Close the glass lid.

14. Technical specifications

Table 1: Burner specifications

	SHB353			SCU353		
	Gas input		Injector	Gas input		Injector
						
	kW	g/hr	mm	kW	g/hr	mm
Auxiliary Burner	1.0	72	0.52	1.0	72	0.52
Semi-Rapid Burner	1.5	108	0.61	1.5	108	0.61
Rapid Burner	2.4	173	0.77	2.4	173	0.77
Total	4.9	353		4.9	353	



This appliance must be earthed.



This appliance is suitable for use with LPG (Liquefied Petroleum Gas) and should not be used with any other gas.

15. Questions

If you have questions about your product, parts, accessories or authorised services:

- Visit www.thetford.com.
- If you cannot solve a problem, contact the authorised local Service Centre or Thetford Customer Service in your country.

16. Warranty

Thetford BV offers the end users of its products a three-year warranty. In the case of malfunction within the warranty period, Thetford will replace or repair the product. In this situation, the costs of replacement, labour costs for the replacement of defective components and/or the costs of the parts themselves will be paid for by Thetford.

Purchased spare parts carry a one-year warranty. Any fitting and/or labour costs are not covered by warranty.

1. To submit a claim under this warranty, the user must take the product to an authorised Thetford Service Partner. The claim will be assessed there.
2. Components replaced during repair under warranty become the property of Thetford.
3. This warranty does not prejudice current consumer protection laws.
4. This warranty is not valid in the case of products that are used for commercial purposes.
5. Warranty claims falling into one of the following categories will not be honoured:
 - The product has been improperly used or the instructions in the manual have not been followed;
 - The product has not been installed in accordance with the instructions;
 - Modifications have been made to the product;
 - The product has been repaired but not by an authorised Thetford Service Partner;
 - The serial number or product code has been tampered with or removed;
 - The product has been damaged by misuse.

EUROPEAN HEADQUARTERS

Thetford B.V.
Nijverheidsweg 29
P.O. Box 169
4870 AD Etten-Leur
The Netherlands

T +31 76 504 22 00
F +31 76 504 23 00
E info@thetford.eu

FRANCE

Thetford S.A.R.L.
Parc BUROPLUS / Bâtiment 6
18, Boulevard de la Paix
95800 CERGY
France

T +33 1 30 37 58 23
F +33 1 30 37 97 67
E infof@thetford.eu

SCANDINAVIA

Thetford B.V.
Representative Office Scandinavia
Hantverkaregatan 32D
521 61 Stenstorp
Sverige

T +46 31 336 35 80
F +46 31 44 85 70
E infos@thetford.eu

UNITED KINGDOM

Thetford Ltd.
Unit 6
Brookfields Way
Manvers, Rotherham
S63 5DL, England
United Kingdom

T +44 844 997 1960
F +44 844 997 1961
E infofgb@thetford.eu

ITALY

Thetford Italy c/o Tecma s.r.l.
Via Flaminia
Loc. Castel delle Formiche
05030 Otricoli (TR)
Italia

T +39 0744 709071
F +39 0744 719833
E infoi@thetford.eu

AUSTRALIA

Thetford Australia Pty. Ltd.
41 Lara Way
Campbellfield VIC 3061
Australia

T +61 3 9358 0700
F +61 3 9357 7060
E infoau@thetford.eu
www.thetford.com.au

GERMANY

Thetford GmbH
Schallbruch 14
D-42781 Haan
Deutschland

T +49 2129 94250
F +49 2129 942525
E infod@thetford.eu

SPAIN AND PORTUGAL

Mercè Grau Solà
Agente para España y Portugal
c/ Castellet, 36 bxs 2ª
08800 Vilanova i la Geltrú
Barcelona
España

T +34 938 154 389
F not available
E infoesp@thetford.eu

CHINA

Thetford China
Rm. 1207, Coastal Building
[East Block]
Haide 3rd Road, Nanshan District
Shenzen, 518054
China

T +86 755 8627 1393
F +86 755 8627 1673
E info@thetford.cn
www.thetford.cn