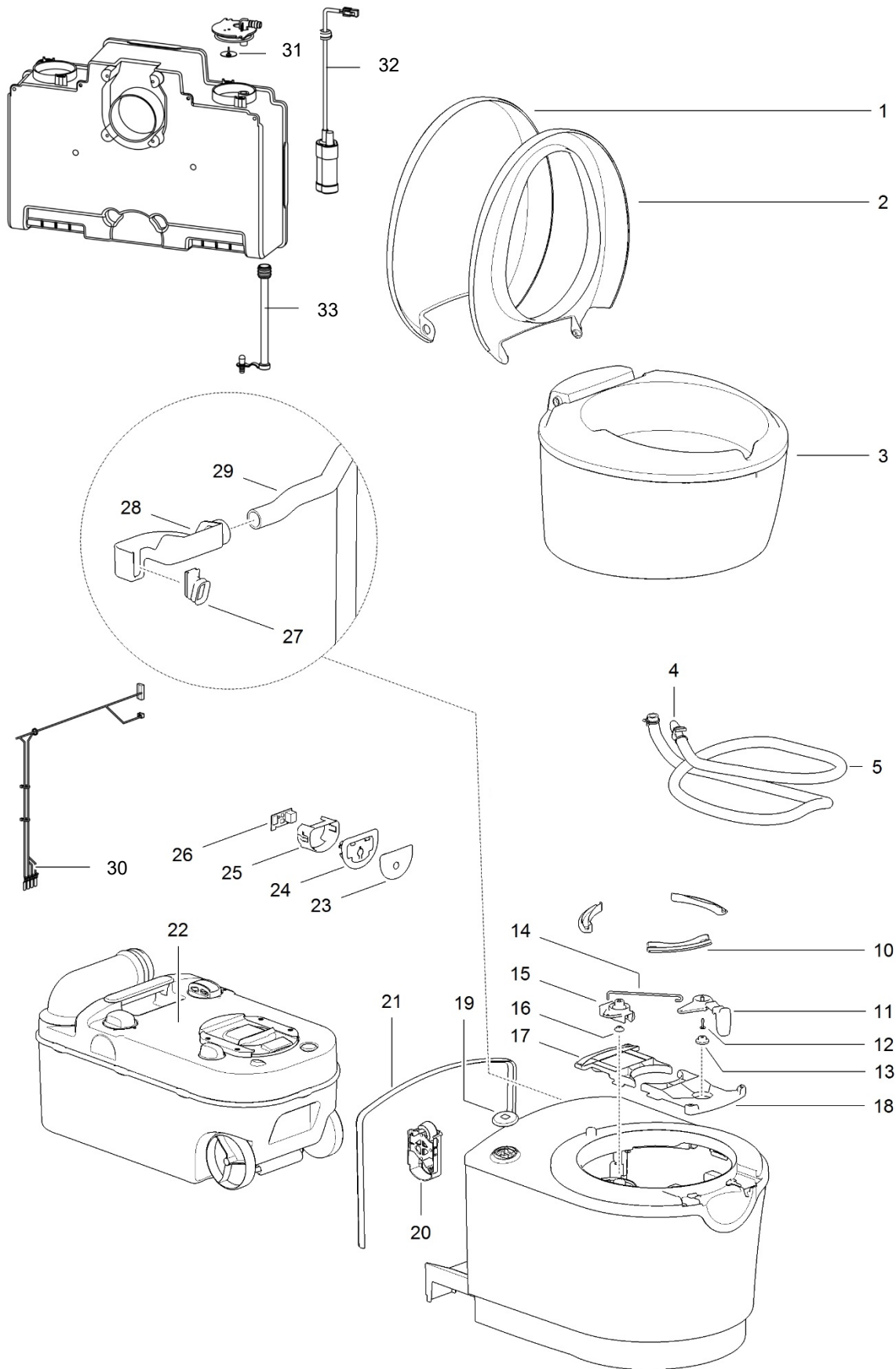


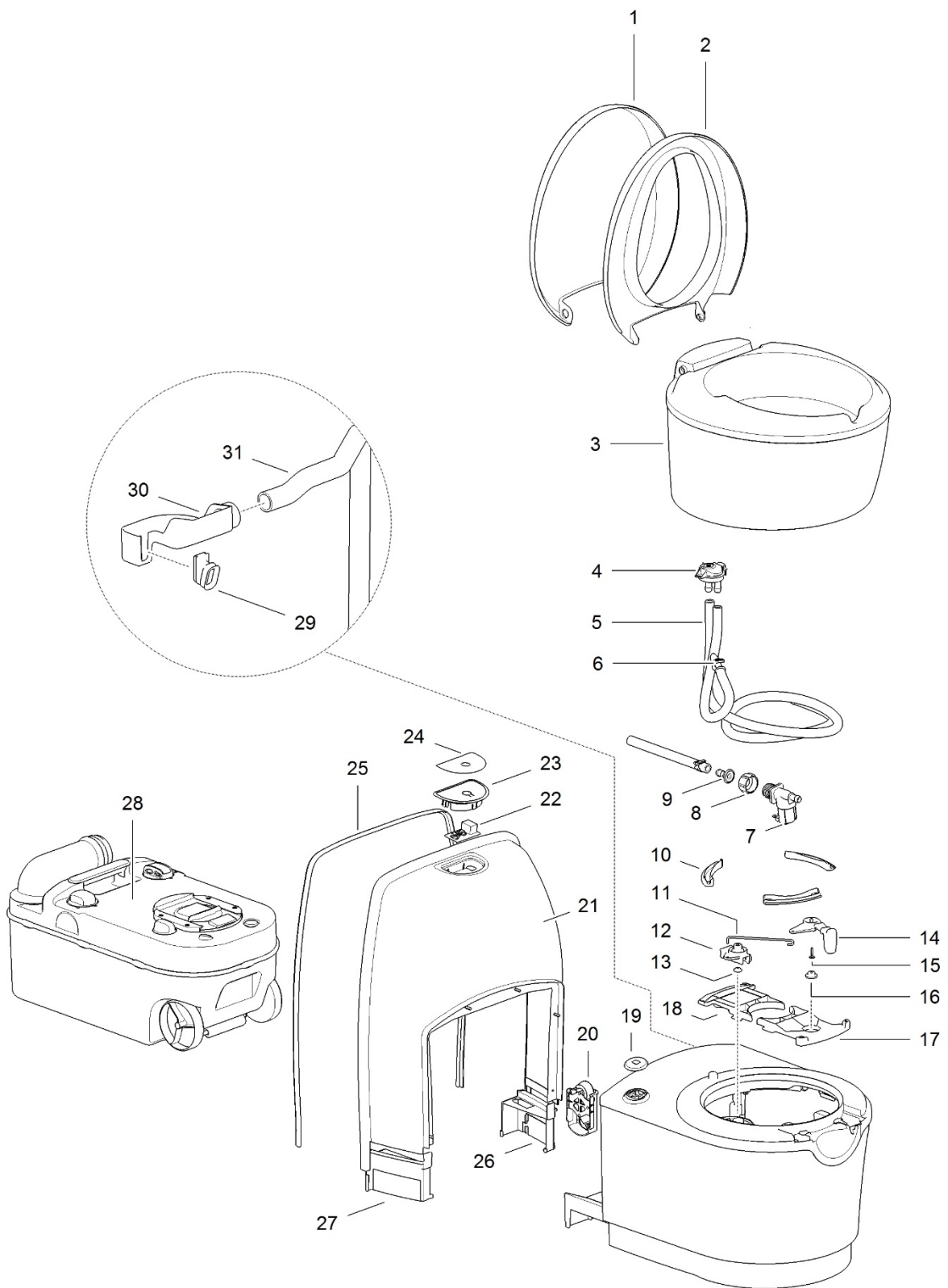
|    |                             | Spare part number       | Spare part number | Spare part number | Colours available |
|----|-----------------------------|-------------------------|-------------------|-------------------|-------------------|
| 1  | Cover                       |                         | 200950            |                   | 62                |
| 2  | Seat                        |                         |                   |                   |                   |
| 3  | Bowl                        | 200951                  |                   |                   | 62                |
| 4  | Vacuum breaker              | 16833                   |                   |                   |                   |
| 5  | Flush tube                  |                         | 200952            |                   | 62                |
| 6  | Nozzle                      |                         |                   |                   |                   |
| 7  | Electric valve              |                         |                   | 23709             |                   |
| 8  | Hose barb                   |                         | 23851             |                   |                   |
| 9  | Hose nut                    |                         |                   |                   |                   |
| 10 | Retainer bracket            |                         |                   |                   |                   |
| 11 | Blade handle                |                         | 200953            |                   | 07                |
| 12 | Screw                       |                         |                   |                   |                   |
| 13 | Bushing                     |                         |                   |                   |                   |
| 14 | Link                        |                         | 200954            |                   |                   |
| 15 | Saddle                      |                         |                   |                   |                   |
| 16 | Bushing                     |                         |                   |                   |                   |
| 17 | Bowl retainer bracket-back  |                         | 200955            |                   |                   |
| 18 | Bowl retainer bracket-front |                         |                   |                   |                   |
| 19 | Lens                        | 200956                  |                   |                   |                   |
| 20 | Level indicator             | 200957                  |                   |                   |                   |
| 21 | Seal base wall              | 200958                  |                   |                   |                   |
| 22 | Waste holding tank          | <i>Refer to page 36</i> |                   |                   |                   |
| 23 | Sticker                     | 200960                  |                   |                   |                   |
| 24 | Control panel               |                         | 200961            |                   | 62                |
| 25 | Wall interface              |                         |                   |                   |                   |
| 26 | PCB                         | 200962                  |                   |                   |                   |
| 27 | Socket outside vent         |                         | 200959            |                   | 62                |
| 28 | Box outside vent            |                         |                   |                   |                   |
| 29 | Tube outside vent           |                         |                   |                   |                   |
|    | Wiring harness*             | 200963                  |                   |                   |                   |

\* Wiring harness is not shown on parts drawing.



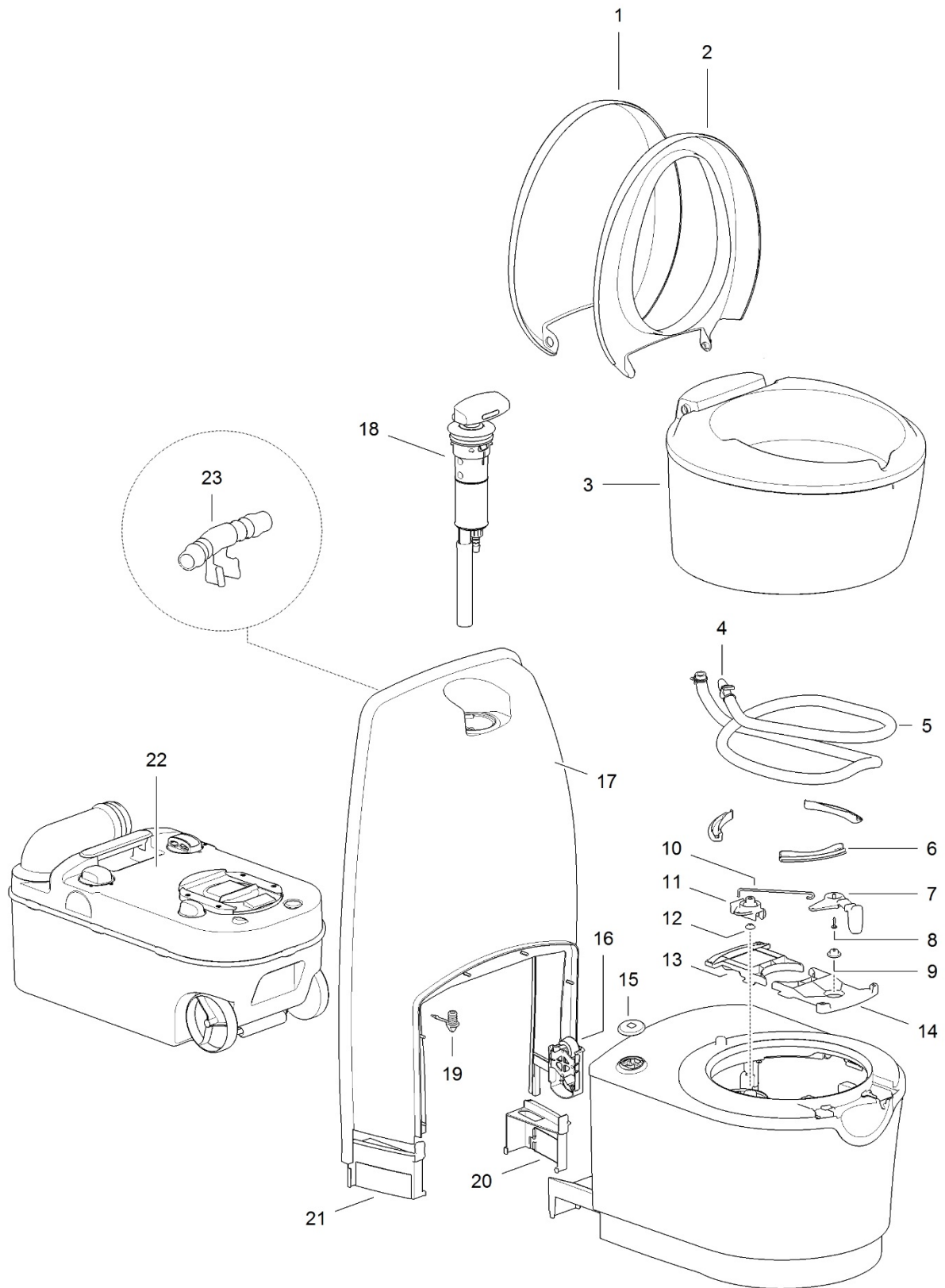
LE1266\_C223-S

|    |                             | Spare part number       | Spare part number | Spare part number | Colours available |
|----|-----------------------------|-------------------------|-------------------|-------------------|-------------------|
| 1  | Cover                       |                         | 200950            |                   | 62                |
| 2  | Seat                        |                         |                   |                   |                   |
| 3  | Bowl                        | 200951                  |                   |                   | 62                |
| 4  | Flush tube                  |                         | 200952            |                   | 62                |
| 5  | Nozzle                      |                         |                   |                   |                   |
| 10 | Retainer bracket            |                         |                   |                   |                   |
| 11 | Blade handle                |                         | 200953            |                   | 07                |
| 12 | Screw                       |                         |                   |                   |                   |
| 13 | Bushing                     |                         |                   |                   |                   |
| 14 | Link                        |                         | 200954            |                   |                   |
| 15 | Saddle                      |                         |                   |                   |                   |
| 16 | Bushing                     |                         |                   |                   |                   |
| 17 | Bowl retainer bracket-back  |                         | 200955            |                   |                   |
| 18 | Bowl retainer bracket-front |                         |                   |                   |                   |
| 19 | Lens                        | 200956                  |                   |                   |                   |
| 20 | Level indicator             | 200957                  |                   |                   |                   |
| 21 | Seal base wall              | 200958                  |                   |                   |                   |
| 22 | Waste holding tank          | <i>Refer to page 36</i> |                   |                   |                   |
| 23 | Sticker                     | 200960                  |                   |                   |                   |
| 24 | Control panel               |                         | 200961            |                   | 62                |
| 25 | Wall interface              |                         |                   |                   |                   |
| 26 | PCB                         | 200962                  |                   |                   |                   |
| 27 | Socket outside vent         |                         | 200959            |                   | 62                |
| 28 | Box outside vent            |                         |                   |                   |                   |
| 29 | Tube outside vent           |                         |                   |                   |                   |
| 30 | Wiring harness              | 200963                  |                   |                   |                   |
| 31 | Umbrella seal               | 93434                   |                   |                   |                   |
| 32 | Pump                        | 93435                   |                   |                   |                   |
| 33 | Drain tube                  | 93436                   |                   |                   |                   |



|    |                             | Spare part number       | Spare part number | Spare part number | Colours available |
|----|-----------------------------|-------------------------|-------------------|-------------------|-------------------|
| 1  | Cover                       |                         | 200950            |                   | 62                |
| 2  | Seat                        |                         |                   |                   |                   |
| 3  | Bowl                        | 200951                  |                   |                   | 62                |
| 4  | Vacuum breaker              | 16833                   |                   |                   |                   |
| 5  | Flush tube                  |                         | 200952            |                   | 62                |
| 6  | Nozzle                      |                         |                   |                   |                   |
| 7  | Electric valve              |                         |                   |                   |                   |
| 8  | Hose nut                    |                         | 23581             | 23709             |                   |
| 9  | Hose barb                   |                         |                   |                   |                   |
| 10 | Retainer bracket            |                         |                   |                   |                   |
| 11 | Link                        |                         |                   |                   |                   |
| 12 | Saddle                      |                         | 200954            |                   |                   |
| 13 | Bushing                     |                         |                   |                   |                   |
| 14 | Blade handle                |                         |                   |                   |                   |
| 15 | Screw                       |                         | 200953            |                   | 07                |
| 16 | Bushing                     |                         |                   |                   |                   |
| 17 | Bowl retainer bracket-front |                         | 200955            |                   |                   |
| 18 | Bowl retainer bracket-back  |                         |                   |                   |                   |
| 19 | Lens                        | 200956                  |                   |                   |                   |
| 20 | Level indicator             | 200957                  |                   |                   |                   |
| 21 | Console                     |                         |                   |                   |                   |
| 22 | PCB                         | 200962                  |                   |                   |                   |
| 23 | Control panel               |                         | 200974            |                   | 62                |
| 24 | Sticker                     | 200960                  |                   |                   |                   |
| 25 | Seal base wall              | 200975                  |                   |                   |                   |
| 26 | Splash guard right          |                         |                   |                   |                   |
| 27 | Splash guard left           |                         |                   |                   |                   |
| 28 | Waste holding tank*         | <i>Refer to page 36</i> |                   |                   |                   |
| 29 | Socket outside vent         |                         | 200959            |                   | 62                |
| 30 | Box outside vent            |                         |                   |                   |                   |
| 31 | Tube outside vent           |                         |                   |                   |                   |
|    | Wiring harness*             | 200976                  |                   |                   |                   |

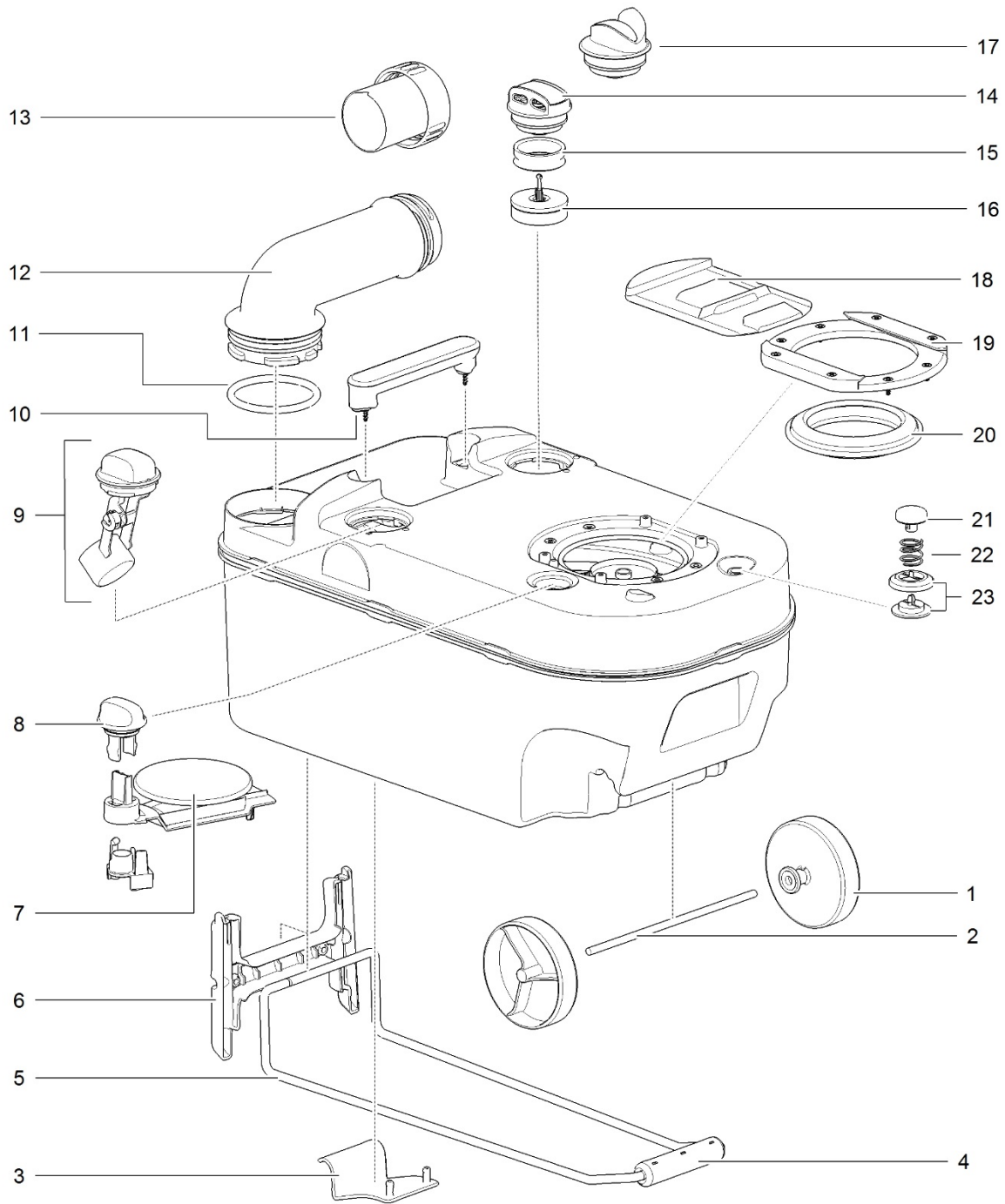
\* Wiring harness is not shown on parts drawing.



LE1268\_C224-CW

|    |                             | Spare part number       | Spare part number | Colours available |
|----|-----------------------------|-------------------------|-------------------|-------------------|
| 1  | Cover                       |                         | 200950            | 62                |
| 2  | Seat                        |                         |                   |                   |
| 3  | Bowl                        | 200951                  |                   | 62                |
| 4  | Flush tube                  |                         | 200979            | 62                |
| 5  | Nozzle                      |                         |                   |                   |
| 6  | Retainer bracket            |                         |                   |                   |
| 7  | Blade handle                |                         | 200953            | 07                |
| 8  | Screw                       |                         |                   |                   |
| 9  | Bushing                     |                         |                   |                   |
| 10 | Link                        |                         | 200954            |                   |
| 11 | Saddle                      |                         |                   |                   |
| 12 | Bushing                     |                         |                   |                   |
| 13 | Bowl retainer bracket-back  |                         | 200955            |                   |
| 14 | Bowl retainer bracket-front |                         |                   |                   |
| 15 | Lens                        | 200956                  |                   |                   |
| 16 | Level indicator             | 200957                  |                   |                   |
| 17 | Console                     |                         |                   |                   |
| 18 | Pump                        | 200980                  |                   |                   |
| 19 | Drain plug                  | 23852                   |                   | 74                |
| 20 | Splash guard right          |                         |                   |                   |
| 21 | Splash guard left           |                         |                   |                   |
| 22 | Waste holding tank          | <i>Refer to page 36</i> |                   |                   |
| 23 | Air vent connector          |                         |                   |                   |





LE1273\_C220\_WHT

|    |  | Spare part number | Spare part number | Spare part number                  | Colours available |
|----|--|-------------------|-------------------|------------------------------------|-------------------|
| 1  | Wheels 2x  |                   | 200640            |                                    | 142               |
| 2  | Axle   |                   |                   |                                    |                   |
| 3  | Tank lock clip   | 23849             |                   |                                    | 85                |
| 4  | Grip transport handle  | 200966            | 200965            |                                    | 85                |
| 5  | Transport handle   |                   |                   |                                    |                   |
| 6  | Transport handle bracket   | 200968            |                   |                                    | 06                |
| 7  | Blade  | 50731             |                   |                                    |                   |
| 8  | Blade opener   | 200970            |                   |                                    | 85                |
| 9  | Float arm  | 200971            |                   |                                    |                   |
| 10 | Carry handle   | 200972            |                   |                                    | 06                |
| 11 | O-ring   |                   | 200973            |                                    | 06, 85            |
| 12 | Pour out spout   |                   |                   |                                    |                   |
| 13 | Measuring cup  | 200967            |                   |                                    | 85                |
| 14 | Automatic vent   |                   |                   |                                    |                   |
| 15 | Foam   |                   | 23722             |                                    | 06                |
| 16 | Vent seal  |                   |                   | 23788                              |                   |
| 17 | Outside vent   |                   |                   |                                    |                   |
| 18 | Sliding cover  | 50718             |                   |                                    | 06                |
| 19 | Retainer seal  |                   |                   |                                    |                   |
| 20 | Lip seal   | 23721             |                   |                                    |                   |
| 21 | Vent button  |                   | 07524             |                                    | 85                |
| 22 | Spring   |                   |                   |                                    |                   |
| 23 | Vent seal  |                   |                   |                                    |                   |
|    | Waste-holding tank complete<br><i>including sliding cover, wheels and handle</i> |                   | 200977            | 200978<br>for outside vent version | 06                |

| <b>Colour Numbers</b> | <b>Description</b>  | <b>Colour reference</b> |
|-----------------------|---------------------|-------------------------|
| 06                    | Slate Grey          | RAL 7015                |
| 07                    | Traffic Grey        | RAL 7042                |
| 10                    | Ivory-United States | Not available           |
| 16                    | Turquoise Green     | RAL 6016                |
| 30                    | Mocha               | NCS S 2005-Y40R         |
| 38                    | Grey Beige          | RAL 1019                |
| 44                    | Beige-Europe        | PMS 05543P              |
| 47                    | White/Silver        | Not available           |
| 57                    | Creamy White        | RAL 9001                |
| 62                    | White/Grey          | Not available           |
| 66                    | Light Ivory         | RAL 1015                |
| 68                    | Grey White          | RAL 9002                |
| 74                    | Moon Grey           | Pantone 417             |
| 78                    | Yellow              | RAL 1003                |
| 79                    | Edelweiss           | Ideal-Std. 46           |
| 85                    | Blue                | RAL 5015                |
| 88                    | Grey-Brown          | Not available           |
| 89                    | Granite             | Not available           |
| 90                    | Anthracite Grey     | RAL 7016                |
| 92                    | Orange              | Not available           |
| 111                   | Signal White        | RAL 9003                |
| 127                   | White               | NCS S 0300-N            |
| 130                   | Ruby Red            | RAL 3003                |
| 132                   | Signal Black        | RAL 9004                |
| 133                   | Agate Grey          | RAL 7038                |
| 135                   | Light Grey Granite  | Not available           |